

ALVOLTA M8 THRU WALL TERMINAL STUD

ALVTW8B & ALVTW8R

Key Features:



M6 Connection Points



200A Current Rating



Connects Multiple
Voltage Lines



Durable Nylon Base



Stainless Steel Contact

Suitable for:



3 YEAR
WARRANTY

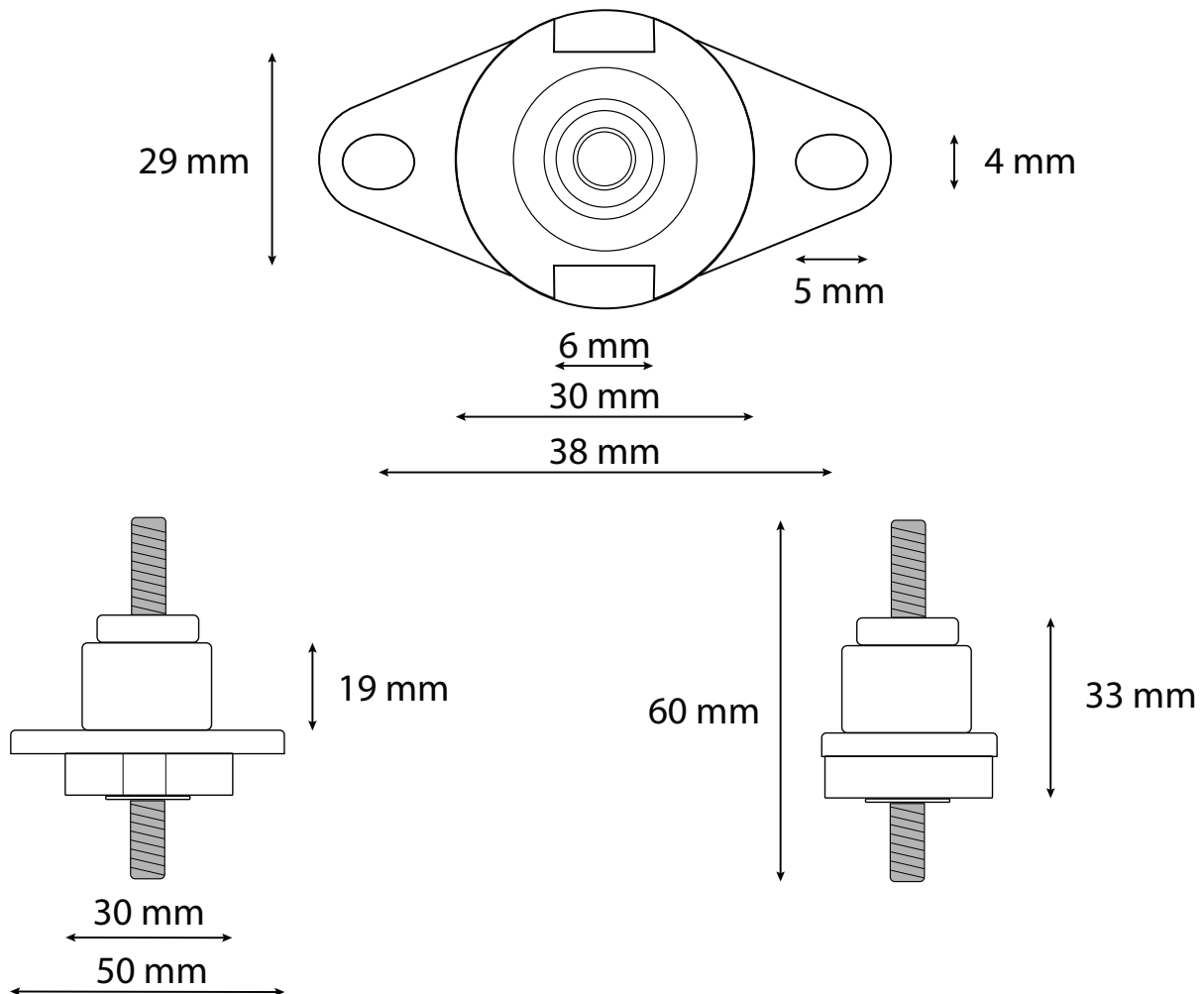
ALVOLTA M8 THRU WALL TERMINAL STUD

ALVTW8B & ALVTW8R

Specifications:

Model	ALVTW8B	ALVTW8R
Colour	Black	Red
Maximum Current Rating	200A	
Maximum Voltage Rating	1000V DC	
Dielectric Strength	3000V	
Mounting Holes	4 x 5mm Diameter, 38mm Apart	
Connection Post Size	8mm (M8)	
Connection Post Material	Stainless Steel	
Base Material	Glass Fiber Reinforced Nylon	
Dimensions	50 x 29 x 60mm	

Model Diagram:



*All data and specifications provided in this datasheet are tested under standard test conditions, and may deviate marginally from actual values. Alvolta and its associates reserve the right to make modifications to the provided information without notice. Alvolta maintains the goal to supply customers with the most recent information regarding its products.