

ALVOLTA M8 INSULATED TERMINAL STUD WITH COVER

ALVIS8BC & ALVIS8RC

Key Features:



M8 Connection Points



160A Current Rating



Durable Nylon Base



Stainless Steel Contact



Protective Cover

Suitable for:



3 YEAR
WARRANTY

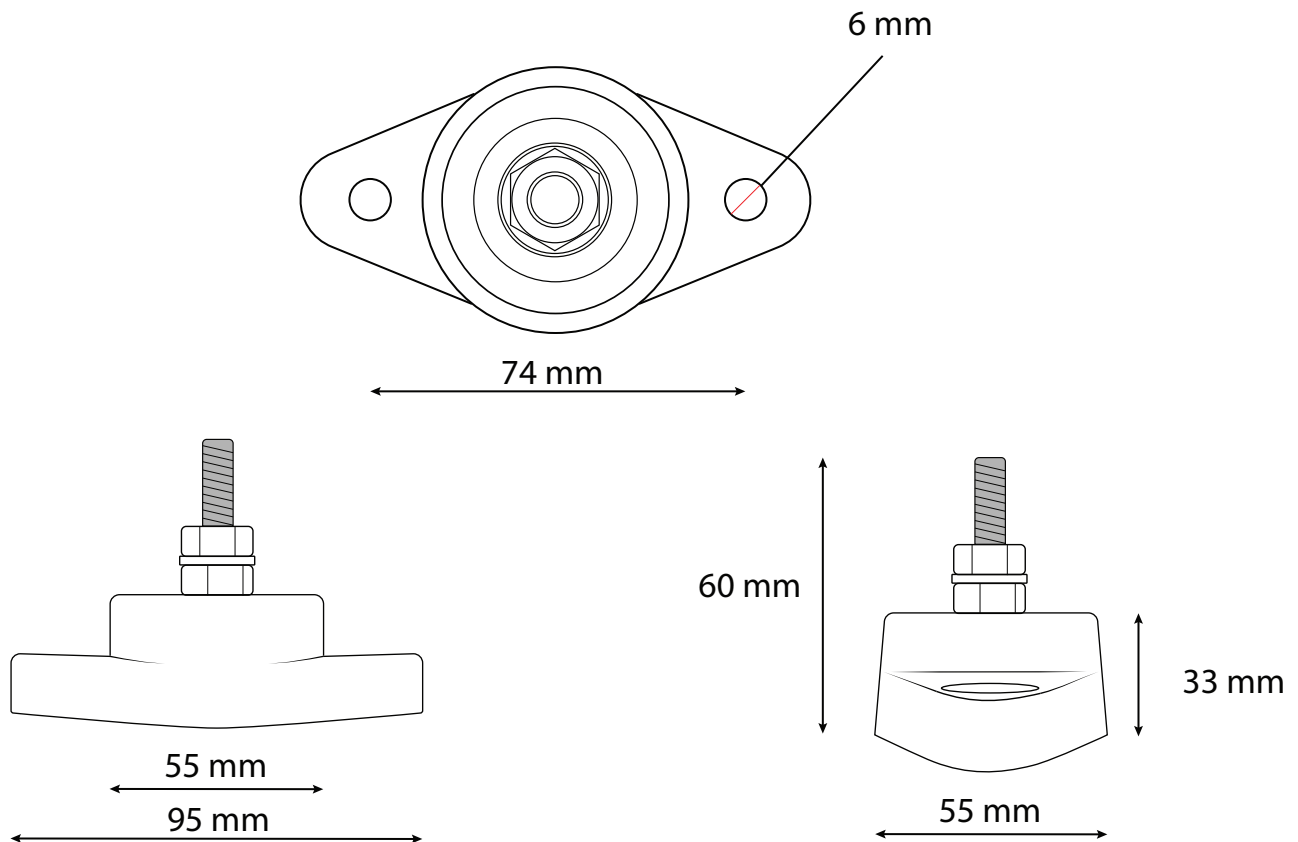
ALVOLTA M8 INSULATED TERMINAL STUD WITH COVER

ALVIS8BC & ALVIS8RC

Specifications:

Model	ALVIS8BC	ALVIS8RC
Colour	Black	Red
Maximum Current Rating	160A	
Maximum Voltage Rating	48V	
Connection Post Size	8mm (M8)	
Connection Post Material	Stainless Steel	
Contact Strip Material	Stainless Steel	
Hex Nut Material	Brass Alloy	
Base Material	Glass Fiber Reinforced Nylon	
Cover Material	Rubber	
Dimensions	95 x 55 x 60mm	

Model Diagram:



*All data and specifications provided in this datasheet are tested under standard test conditions, and may deviate marginally from actual values. Alvolta and its associates reserve the right to make modifications to the provided information without notice. Alvolta maintains the goal to supply customers with the most recent information regarding its products.