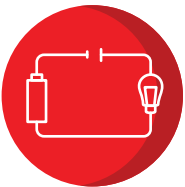




## ALVOLTA DUAL CIRCUIT ON/OFF MINI BATTERY SWITCH

AS323002B, AS323002BP, AS323002R & AS323002RP

### Key Features:



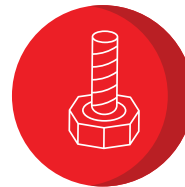
Dual Circuit



300A Continuous  
Current



IP66 Rated



M10 Terminal Studs



Durable Design

### Suitable for:



**1 YEAR**  
WARRANTY

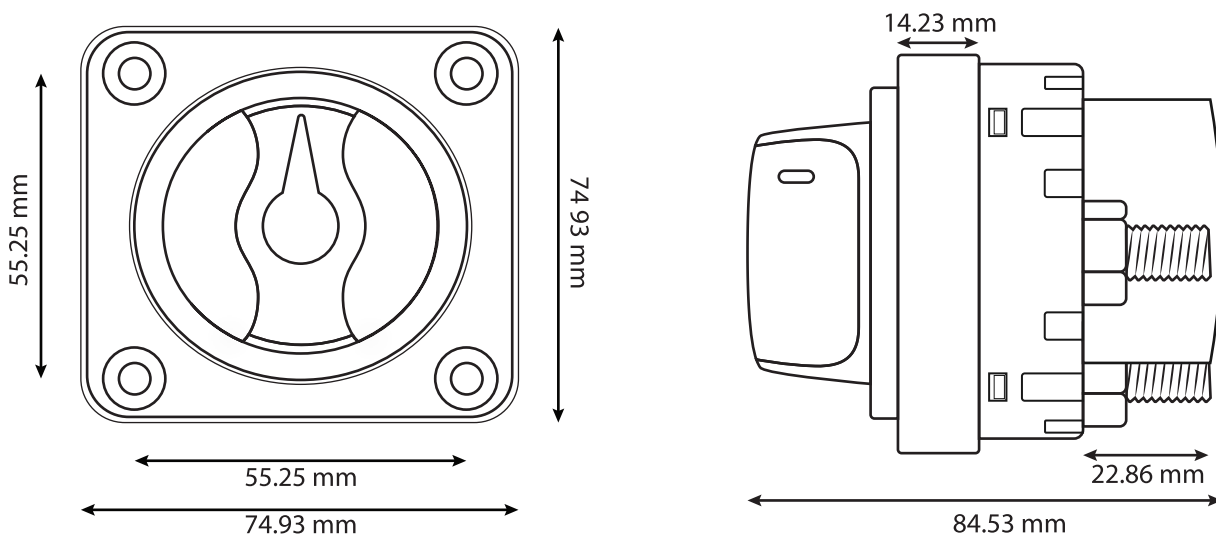
# ALVOLTA DUAL CIRCUIT ON/OFF MINI BATTERY SWITCH

AS323002B, AS323002BP, AS323002R & AS323002RP

## Electrical Data:

Model	AS323002B	AS323002BP	AS323002R	AS323002RP
Switch Type	Dual Circuit	Dual Circuit Plus	Dual Circuit	Dual Circuit Plus
Battery Inputs	2	2	2	2
Switch Positions	2	3	2	3
Battery Combine	No	Yes	No	Yes
Colour	Black		Red	
Maximum Voltage	32V DC			
Continuous Current Rating	300A			
Intermittent Current Rating (5m)	450A			
Cranking Current Rating (30s)	675A			
Terminal Stud Size	M10 (3/8"-16)			
Cable Size	4/0 AWG (120mm <sup>2</sup> )			
Cable Clearance	28.4mm (1.12')			
Mounting Holes	#10 (M5) Screw			
Terminal Stud Mounting Torque	120 in-lb (13.56N-m)			
Terminal Stud Material	Tinned Copper			
Housing Material	PVC			
Ingress Protection	IP66			
Dimensions	74.93 x 74.93 x 84.53mm			
Warranty	1 Year			

## Module Diagram:



\*All data and specifications provided in this datasheet are tested under standard test conditions, and may deviate marginally from actual values. Alvolta and its associates reserve the right to make modifications to the provided information without notice. Alvolta maintains the goal to supply customers with the most recent information regarding its products.