

Power Panda Pty Ltd

Address: 58 Eastern Rd Browns Plains QLD 4118

Ph: +61 7 3103 8686

Fax: +61 7 3103 7700

Website: www.dreamlighting.com.au

Email: info@dreamlighting.com.au

2021-2022 Dreamlighting Catalogue



2021 -2022

LED LIGHTING

PRODUCT CATALOGUE

2021-2022 Dreamlighting Catalogue

Dreamlighting is a specialised LED
lighting manufacturer



ABOUT US

Dreamlighting is a specialised LED lighting manufacturer established in Australia and supported by its manufacturing base in China. This provides us with the competitive advantage of being able to take a new design through to manufacture with a reduced cost base, along with overseeing the production of an extensive range of quality controlled products.

Dreamlighting's LED products are the leaders in the marketplace setting the standards for all others to reach. Our products are thoroughly tested and backed with a comprehensive industry warranty. Our designers and engineers are able to develop custom lighting solutions specifically to meet the requirements of your projects. Our product range is continually expanding as the result of demand by the market and at the request of our clients.

Our focus is to provide the best price as well as the best product to our customer. Being an LED manufacturer our experience and approach to the engineering and production of LEDs ensures that our products and pricing stand out over and above those of our competitors.

Dreamlighting's intention is to provide energy savings and solutions that are environmentally sound when using our low energy consuming LED products. We continually research, design and develop products which will assist consumers to use less power. This in turn we trust will assist in reducing our carbon footprint and lessen its effects on our world.



CONTENTS

LED Strip Light
(Exterior)



3-6

LED Strip Light
(Interior)



7-12

LED Ceiling Light



13-24

LED Reading Light



25-30

LED Courtesy Light



31-32

Flexible Strip Light



33-34

Handle light



35-36

Outdoor &
Camping Light



37-40

Accessories



41-42

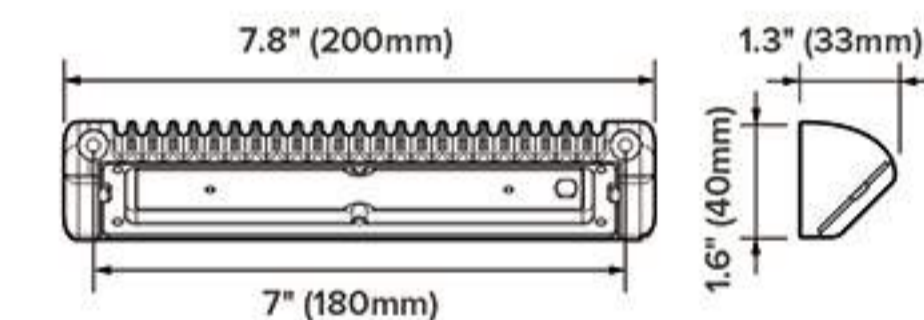
200MM HEAVY DUTY DUAL COLOUR LED EXTERNAL AWNING LIGHT (Exterior)

Features

This 12volt dual colour LED Awning Light is ideal for heavy duty off road driving, RV, caravan, truck, boat, yacht exterior application. It provides 40 degrees downward illumination to your activity scope without inefficient lighting waste. Dual colour mode makes it perfect for outdoor illumination, the amber lighting will keep bugs and mosquitoes away and leave you free from being disturbed. Meanwhile, bright cool white lighting illuminates your activity area. Its waterproof aluminum housing guarantees efficient heat dissipation and a long life span.

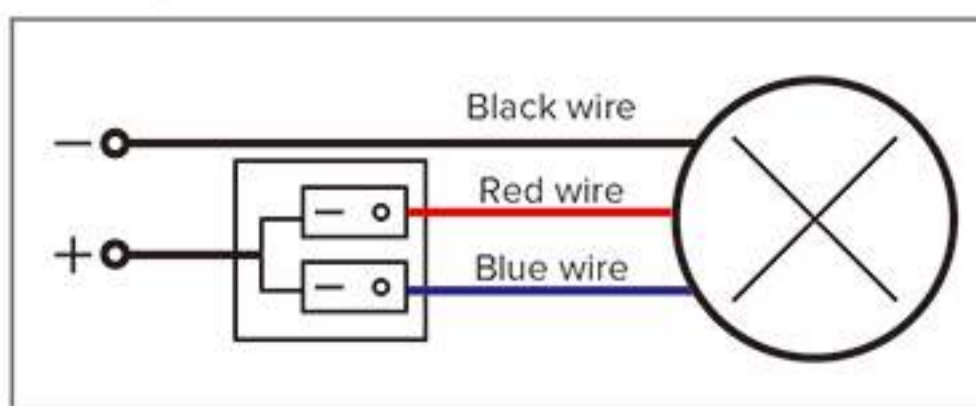


Part Number	0013712CA-B	0013712CA-W	0013712CA-G
Shell Colour	● Black	○ White	● Grey
Primary Colour	○ Cool white		
Secondary Colour	● Amber		
Voltage Range	10-15 volts		
Current Type	DC (Direct Current)		
Amp Draw at 13.4 volts	920mA		
Power Consumption	12.3 Watts		
Protection	Sealed against dust and moisture to IP65		
Lumens Output	720 lm		
Lens Material	PC		
Colour Temperature	6000-6500K(Cool White)		
Base Material	Coated aluminum		
Mounting	Surface mount		
Dimmable	Yes		



Can be switched between Amber, White or a combination of both.

Wiring instruction



Also Available

Part Number	Description
0013712C-B	As above No amber light in Black
0013712C-W	As above No amber light in White
0013712C-G	As above No amber light in Grey



250MM/460MM SLIMLINE AWNING LIGHT BAR (Exterior)

Features

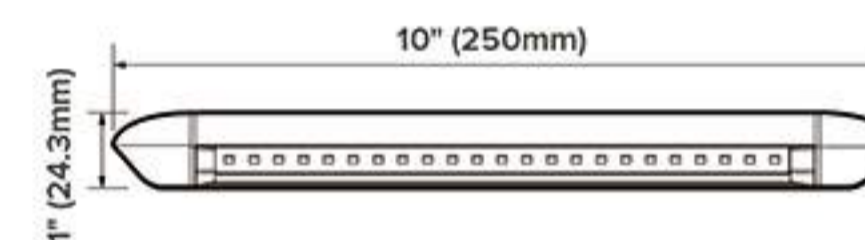
Equipped with a 40 degrees downward illumination design, this LED Awning Light provides direct illumination to your RV exterior activity scope without light waste which enhances the lighting efficiency as well. Its waterproof construction guarantees its effectiveness in an exterior environment. The surface mounting design and aluminum housing allow for easy installation and efficient heat sinking.

250MM

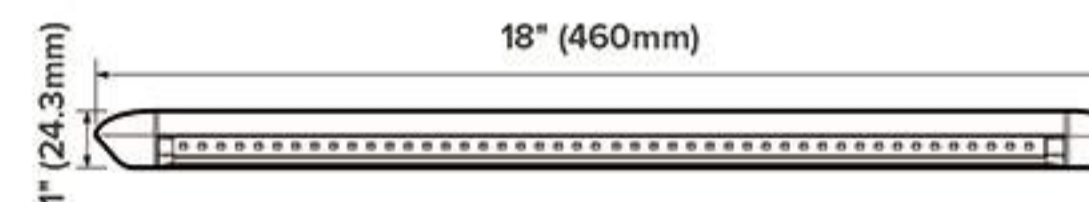
Part Number	0013502C-B
Shell Colour	● Black
Primary Colour	○ Cool white
Voltage Range	10-15 volts
Current Type	DC (Direct Current)
Amp Draw at 13.4 volts	400mA
Power Consumption	5.4 Watts
Protection	Sealed against dust and moisture to IP65
Lumens Output	270 lm
Lens Material	Silicon
Colour Temperature	5700-6200K(Cool White)
Base Material	Coated aluminum
Mounting	Surface mount
Dimmable	Yes



P.N. 0013502C-B

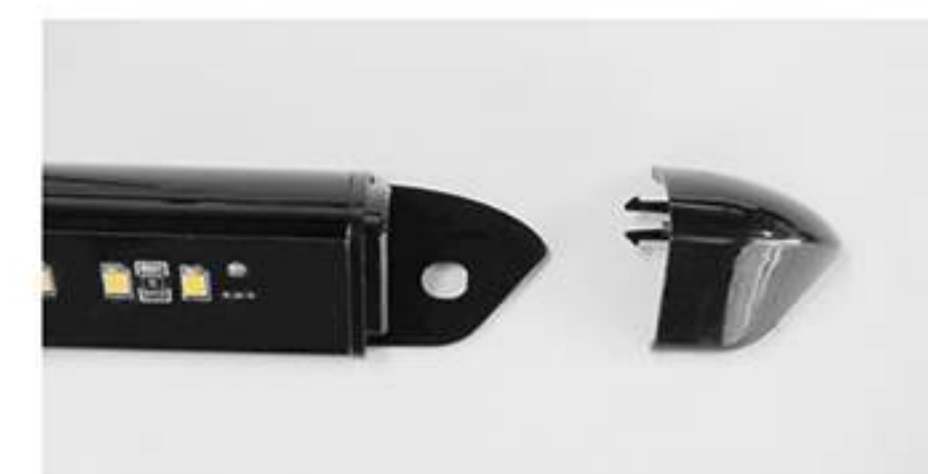


P.N. 0013504C-B



460MM

Part Number	0013504C-B
Shell Colour	● Black
Primary Colour	○ Cool white
Voltage Range	10-15 volts
Current Type	DC (Direct Current)
Amp Draw at 13.4 volts	730mA
Power Consumption	9.8 Watts
Protection	Sealed against dust and moisture to IP65
Lumens Output	420 lm
Lens Material	Silicon
Colour Temperature	5700-6200K(Cool White)
Base Material	Coated aluminum
Mounting	Surface mount
Dimmable	Yes



Clip on end cap



250/550MM LED EXTERNAL AWNING LIGHT (Exterior)

Features

This awning light is built in a triangle shape which makes the lighting surface faces 40° down to the ground if it is mounted on the wall and that is the perfect direction for under awning activity and vehicle locating. The circuit board is completely sealed by silicon, along with two screw caps at both ends to reach a waterproof rating of IP66. All these structures make this awning light a splendid fixture for a variety of exterior applications.

Another model is an alternative to the silicon awning light. It adopts a milky PC lens instead of the silicon to optimize the beam.



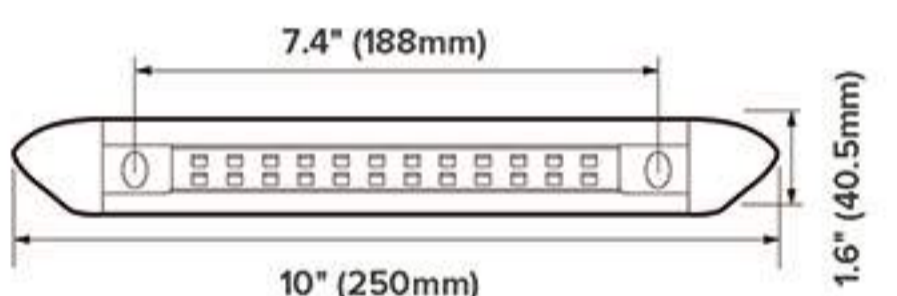
P.N. 0013512C



P.N. 0013522C



P.N. 0013552C



250MM SILICON

Part Number	0013512C	0013522C	0013552C
Shell Colour	<input type="radio"/> White	<input type="radio"/> Silver	<input type="radio"/> Black

Primary Colour	<input type="radio"/> Cool white
Voltage Range	10-15 volts
Current Type	DC (Direct Current)
Amp Draw at 13.4 volts	400mA
Power Consumption	5.1 Watts
Protection	(Fully) Sealed against dust and moisture to IP66
Lumens Output	350 lm
Lens Material	Silicon
Colour Temperature	7500-8000K (Cool White)
Base Material	Coated aluminum
Mounting	Surface mount
Dimmable	Yes



250MM PC COVER

Part Number	0013512CP	0013552CP
Shell Colour	<input type="radio"/> White	<input type="radio"/> Black

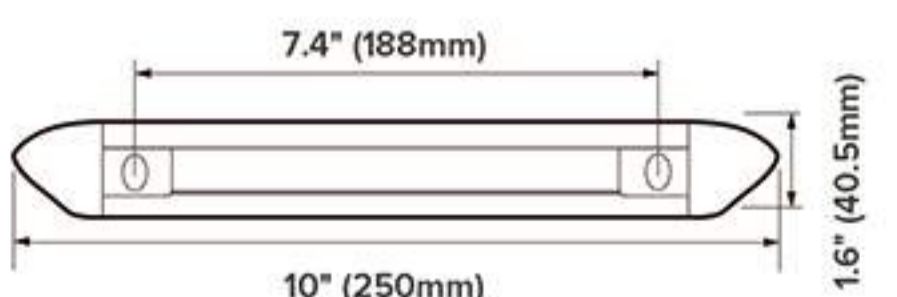
Primary Colour	<input type="radio"/> Cool white
Voltage Range	10-15 volts
Current Type	DC (Direct Current)
Amp Draw at 13.4 volts	490mA
Power Consumption	5.8 Watts
Protection	Sealed against dust and moisture to IP55
Lumens Output	330 lm
Lens Material	PC
Colour Temperature	6000-6500K (Cool White)
Base Material	Coated aluminum
Mounting	Surface mount
Dimmable	Yes



P.N. 0013512CP



P.N. 0013552CP



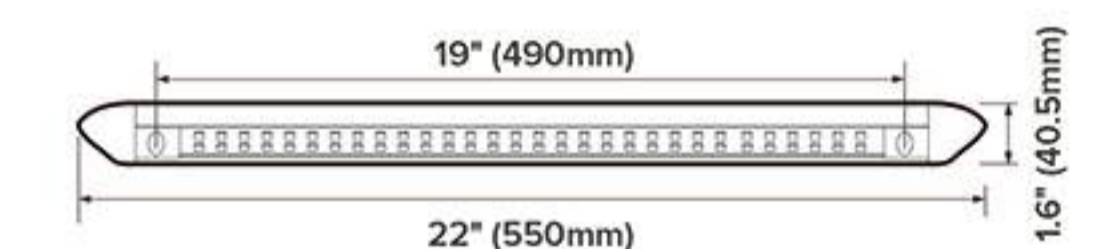
P.N. 0013515C



P.N. 0013525C



P.N. 0013555C



550MM SILICON

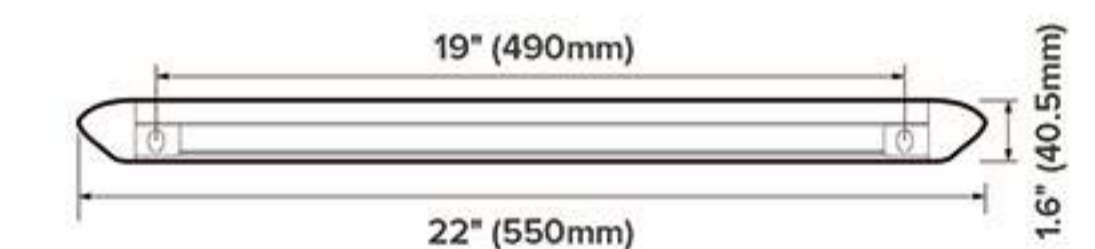
Part Number	0013515C	0013525C	0013555C
Shell Colour	<input type="radio"/> White	<input type="radio"/> Silver	<input type="radio"/> Black
Primary Colour	<input type="radio"/> Cool white		
Voltage Range	10-15 volts		
Current Type	DC (Direct Current)		
Amp Draw at 13.4 volts	920mA		
Power Consumption	11.8 Watts		
Protection	(Fully) Sealed against dust and moisture to IP66		
Lumens Output	800 lm		
Lens Material	Silicon		
Colour Temperature	7500-8000K (Cool White)		
Base Material	Coated aluminum		
Mounting	Surface Mount		
Dimmable	Yes		



P.N. 0013515CP



P.N. 0013555CP



550MM PC COVER

Part Number	0013515CP	0013555CP
Shell Colour	<input type="radio"/> White	<input type="radio"/> Black

Primary Colour	<input type="radio"/> Cool white
Voltage Range	10-15 volts
Current Type	DC (Direct Current)
Amp Draw at 13.4 volts	960mA
Power Consumption	12.3 Watts
Protection	Sealed against dust and moisture to IP55
Lumens Output	750 lm
Lens Material	PC
Colour Temperature	6000-6500K (Cool White)
Base Material	Coated aluminum
Mounting	Surface mount
Dimmable	Yes



Super bright illumination



40 degrees downward illumination, provide efficient lighting angle



Easy to install with two stainless steel screws. Provided screws and plugs to enhance water resistance.

SWIPE SENSOR SWITCH CABINET BAR LIGHT (Interior)

Features

This swipe sensor switch cabinet bar light is perfect for placement in caravans or RVs under a kitchen cupboard, drawer or cupboard, where it will provide perfect lighting for the worktop. It comes with a hand swiping sensor which means that you can switch the light on or off by swiping your hand near the sensor. This is a very practical feature for the kitchen as hands are often covered in food or are wet. The sensor means that the light remains clean and free from germs and dirt, and no more fumbling for light switches in the dark.

New Feature



Touchless Sensor Switch Swipe over to turn on/off



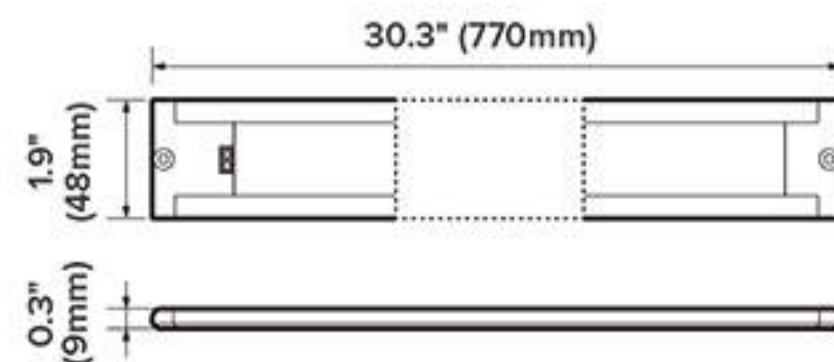
Stepless dim, hold hand above to dimmer btw 5% - 100%

Built-in Dimming Capability
no extra dimmer switch needed



P.N. 0013817C

P.N. 0013857C



770MM

Part Number	0013817C	0013857C
Shell Colour	① White&Silver	● Black

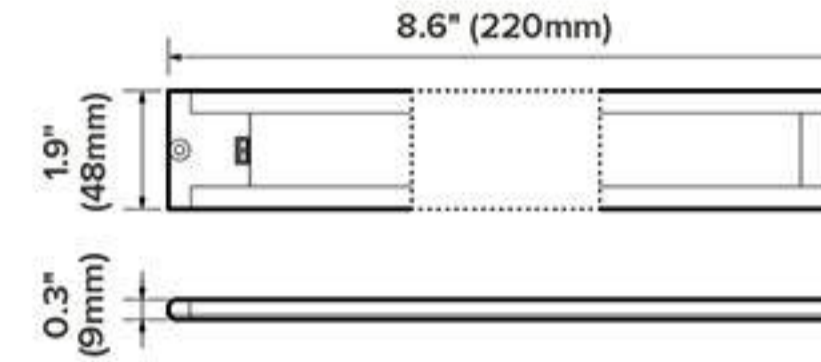
Primary Colour	○ Cool white
Voltage Range	10-15 volts
Current Type	DC (Direct Current)
Amp Draw at 13.4 volts	1400mA
Power Consumption	18.9 Watts
Lumens Output	940 lm
Lens Material	PC
Colour Temperature	6000-6500K (Cool White)
Base Material	Coated aluminum
Mounting	Surface mount
Dimmable	Yes



P.N. 0013812C



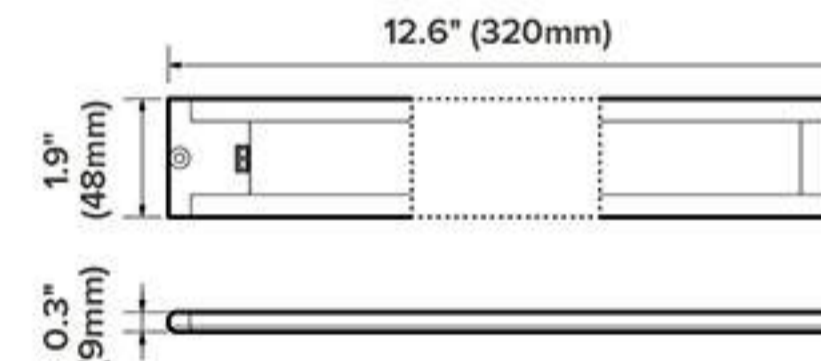
P.N. 0013852C



P.N. 0013813C



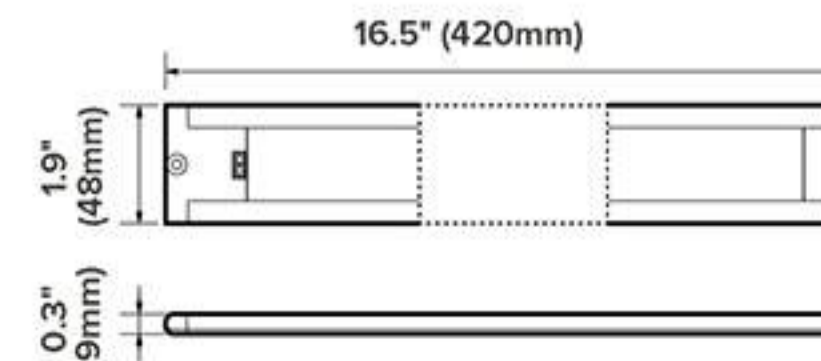
P.N. 0013853C



P.N. 0013814C



P.N. 0013854C



220MM

Part Number	0013812C	0013852C
Shell Colour	① White&Silver	● Black

Primary Colour	○ Cool white
Voltage Range	10-15 volts
Current Type	DC (Direct Current)
Amp Draw at 13.4 volts	430mA
Power Consumption	5.5 Watts
Lumens Output	330 lm
Lens Material	PC
Colour Temperature	6000-6500K (Cool White)
Base Material	Coated aluminum
Mounting	Surface mount
Dimmable	Yes



320MM

Part Number	0013813C	0013853C
Shell Colour	① White&Silver	● Black

Primary Colour	○ Cool white
Voltage Range	10-15 volts
Current Type	DC (Direct Current)
Amp Draw at 13.4 volts	640mA
Power Consumption	8 Watts
Lumens Output	490 lm
Lens Material	PC
Colour Temperature	6000-6500K (Cool White)
Base Material	Coated aluminum
Mounting	Surface mount
Dimmable	Yes



420MM

Part Number	0013814C	0013854C
Shell Colour	① White&Silver	● Black

Primary Colour	○ Cool white
Voltage Range	10-15 volts
Current Type	DC (Direct Current)
Amp Draw at 13.4 volts	840mA
Power Consumption	11 Watts
Lumens Output	600 lm
Lens Material	PC
Colour Temperature	6000-6500K (Cool White)
Base Material	Coated aluminum
Mounting	Surface mount
Dimmable	Yes



MILKY ULTRA BRIGHT BAR LIGHT (Interior)

LED STRIP LIGHT

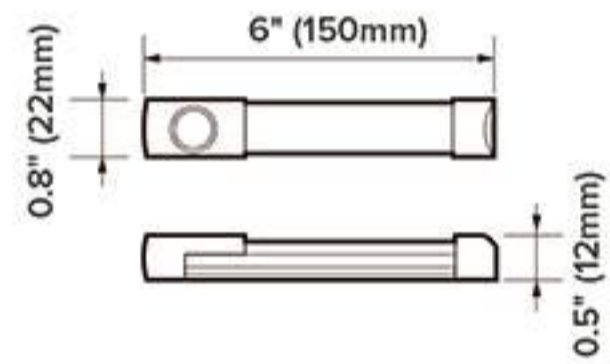


Features

With a programmed switch, this stylish LED Strip Light can be adjusted to different brightness levels. A night visible button switch makes it easy to find at night. Inbuilt with high quality LED chips, it emits a soft and even light distribution.



P.N. 0013601



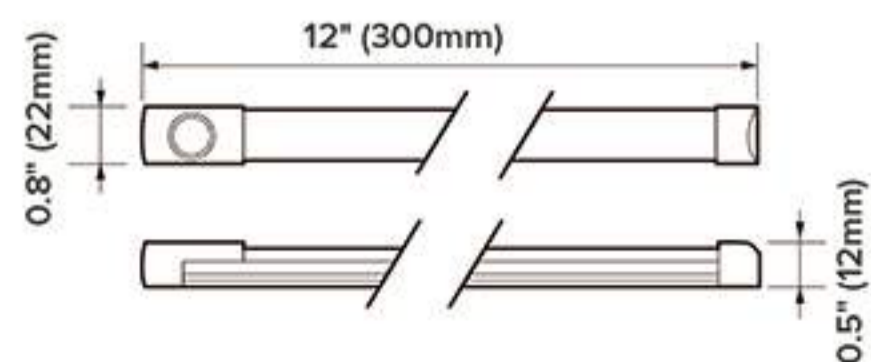
150MM

Part Number	0013601C	0013601W
Primary Colour	<input type="radio"/> Cool white	<input checked="" type="radio"/> Warm white
Lumens Output	70/190 lm	55/170 lm
Colour Temperature	6000-6500K	2800-3200K

Shell Colour	<input type="radio"/> White
Voltage Range	10-15 volts
Current Type	DC (Direct Current)
Amp Draw at 13.4 volts	100/200 mA
Power Consumption	1.3/2.6 Watts
Lens Material	Milky PC
Base Material	Aluminum
Mounting	Surface mount
Dimmable	Two pauses brightness



P.N. 0013603



300MM

Part Number	0013603C	0013603W
Primary Colour	<input type="radio"/> Cool white	<input checked="" type="radio"/> Warm white
Voltage	10-15 volts	10-15 volts
Lumens Output	170/390 lm	150/300 lm
Power Consumption	2.8/5.6 Watts	2.8/5.6 Watts
Color Temperature	6000-6500K	2800-3200K

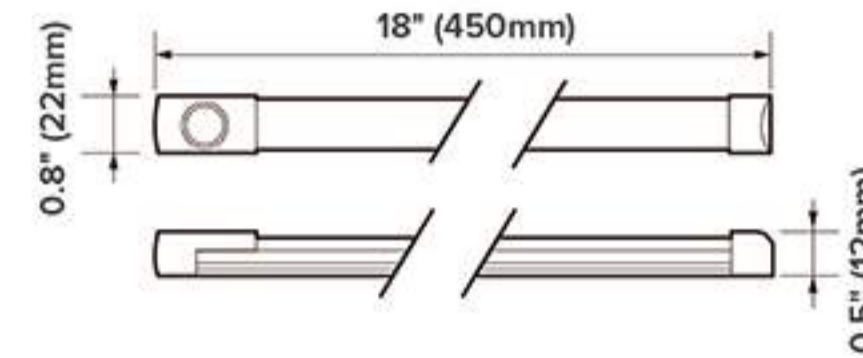
Shell Colour	<input type="radio"/> White
Current Type	DC (Direct Current)
Amp Draw at 13.4 volts	210/420mA
Lens Material	Milky PC
Base Material	Aluminum
Mounting	Surface mount
Dimmable	Two pauses brightness



P.N. 0013604C

450MM

Part Number	0013604C
Primary Colour	<input type="radio"/> Cool white
Shell Colour	<input type="radio"/> White
Voltage Range	10-15 volts
Current Type	DC (Direct Current)
Amp Draw at 13.4 volts	220/550mA
Power Consumption	3/7.4 Watts
Lumens Output	200/520 lm
Lens Material	Milky PC
Colour Temperature	6000-6500K (Cool White)
Base Material	Aluminum
Mounting	Surface mount
Dimmable	Two pauses brightness

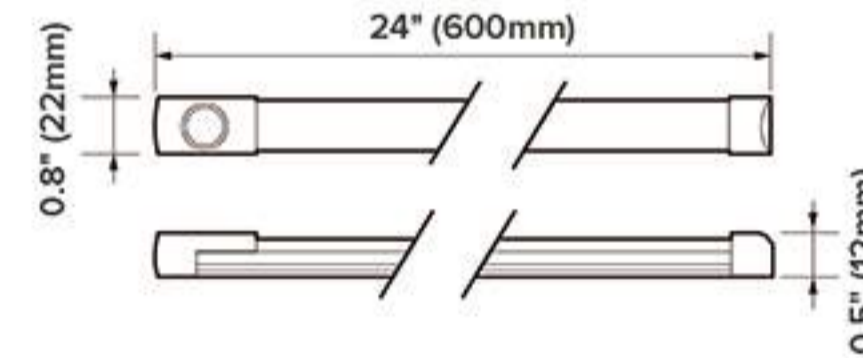


P.N. 0013606

600MM

Part Number	0013606C	0013606W
Primary Colour	<input type="radio"/> Cool white	<input checked="" type="radio"/> Warm white
Lumens Output	280/630 lm	230/520 lm
Colour Temperature	6000-6500K	2800-3200K

Shell Colour	<input type="radio"/> White
Voltage Range	10-15 volts
Current Type	DC (Direct Current)
Amp Draw at 13.4 volts	250/640mA
Power Consumption	3.4/8.6 Watts
Lens Material	Milky PC
Base Material	Aluminum
Mounting	Surface mount
Dimmable	Two pauses brightness



Two brightness levels



Night visible button switch



Flexible mounting clips

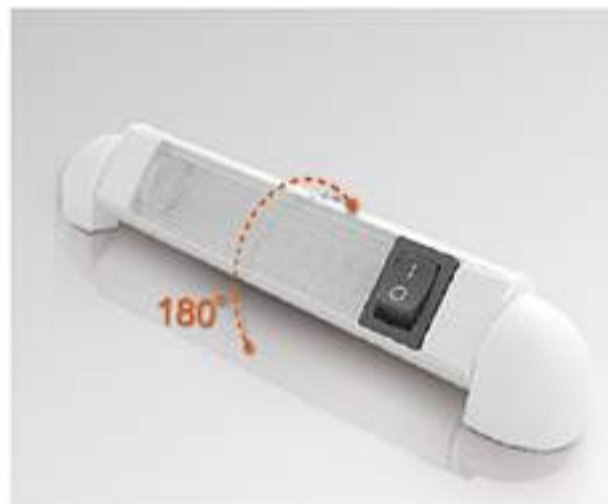
LED STRIP LIGHT

LED INTERNAL SWIVEL RAIL LIGHT (Interior)



Features

This LED Rail Light is designed with a swivel leg at both ends. It can be rotated up to 180° for adjustable light direction. The detachable PC lens is designed to optimize light distribution. Inbuilt integrated on/off switch helps to control the light. There are also covers at both ends to hide wires and screws which leave a clean finish after installation.



180 Degrees swivel



Clip on end cap



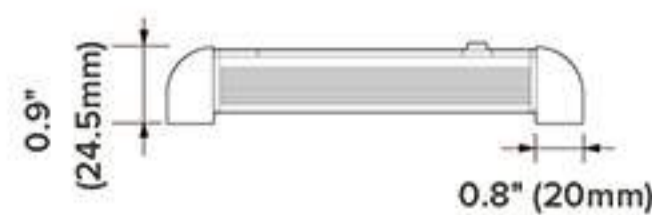
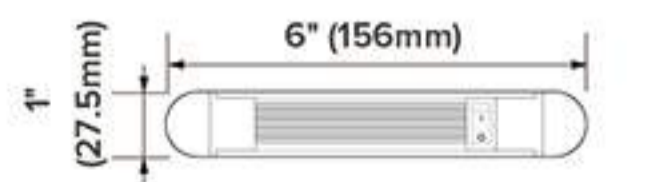
Soft and even light distribution



P.N. 0013106C



P.N. 0013206C



156MM

Part Number	0013106C	0013206C
Shell Colour	<input type="radio"/> White	<input type="radio"/> Silver
Primary Colour	<input type="radio"/> Cool white	
Voltage Range	10-15 volts	
Current Type	DC (Direct Current)	
Amp Draw at 13.4 volts	80mA	
Power Consumption	1.1 Watts	
Lumens Output	48 lm	
Lens Material	PC	
Colour Temperature	6000-6500K (Cool White)	
Base Material	Aluminum	
Mounting	Surface mount	
Dimmable	No	



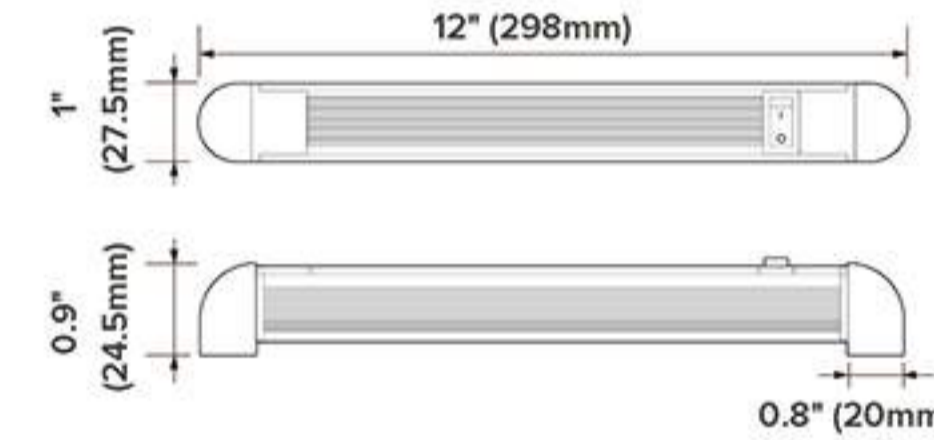
P.N. 0013112C



P.N. 0013212C



P.N. 0013112C-blk



298MM

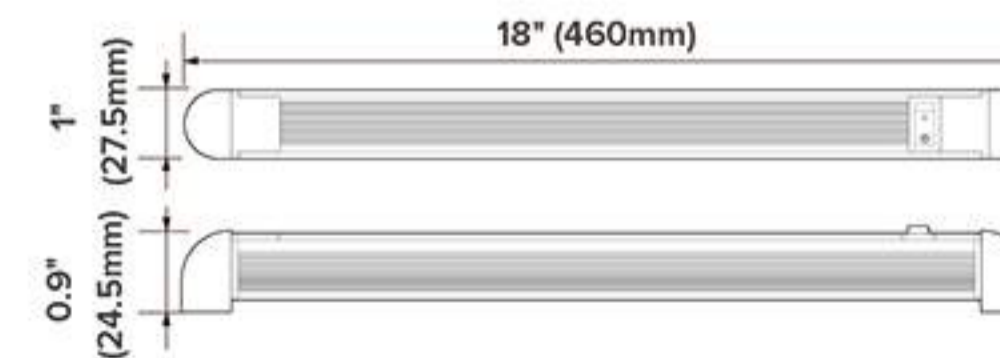
Part Number	0013112C	0013212C	0013112C-blk
Shell Colour	<input type="radio"/> White	<input type="radio"/> Silver	<input type="radio"/> Black
Primary Colour	<input type="radio"/> Cool white		
Voltage Range	10-15 volts		
Current Type	DC (Direct Current)		
Amp Draw at 13.4 volts	160mA		
Power Consumption	2.2 Watts		
Lumens Output	96 lm		
Lens Material	PC		
Colour Temperature	6000-6500K (Cool White)		
Base Material	Aluminum		
Mounting	Surface mount		
Dimmable	No		



P.N. 0013118C



P.N. 0013218C



460MM

Part Number	0013118C	0013218C
Shell Colour	<input type="radio"/> White	<input type="radio"/> Silver
Primary Colour	<input type="radio"/> Cool white	
Voltage Range	10-15 volts	
Current Type	DC (Direct Current)	
Amp Draw at 13.4 volts	240mA	
Power Consumption	3.2 Watts	
Lumens Output	144 lm	
Lens Material	PC	
Colour Temperature	6000-6500K (Cool White)	
Base Material	Aluminum	
Mounting	Surface mount	
Dimmable	No	

LED OVAL PORCH UTILITY LIGHT WITH ON/OFF SWITCH (Interior/Exterior)

LED CEILING LIGHT

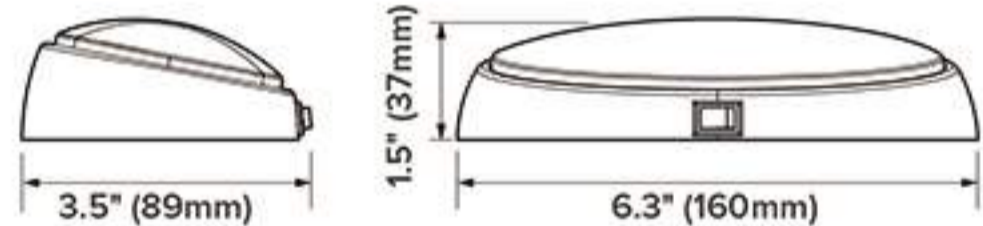
Features

This LED Porch Wall Light features a downward illumination design, which provides high intensity output without light waste. Processed clear plastic lens distributes the light evenly without causing eyestrain, creating a bright and comfortable environment. Its built-in on/off switch is easy to control. The base plate is efficient for heat dissipation, which ensures stable performance and a long diode life.

New Product



P.N. 0013411C



Part Number	0013411C
Shell Colour	● Black
Primary Colour	○ Cool white
Voltage Range	10-15 volts
Current Type	DC (Direct Current)
Amp Draw at 13.4 volts	290mA
Power Consumption	4 Watts
Lumens Output	270 lm
Lens Material	PC
Colour Temperature	6000-6500K
Base Material	Aluminum
Mounting	Surface mount



Built-in on/off switch



Downward illumination design



Bright and soft light distribution

DUAL COLOUR LOOP PUCK LIGHT

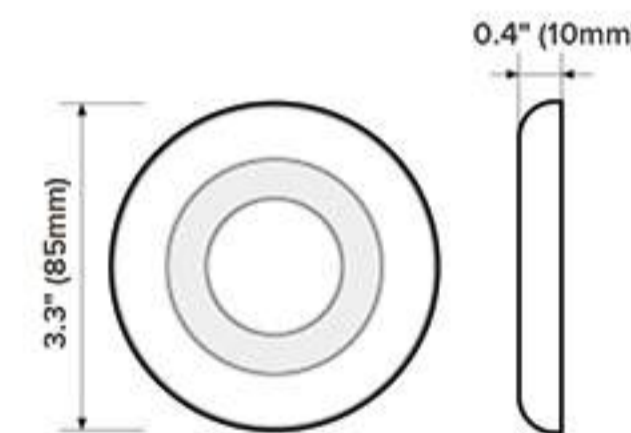
LED CEILING LIGHT

Features

- It is a triple-coloured light. By adding an external switch and keep on pressing the switch, you can adjust between cool white, warm white and bright white lighting.
- The PC lens spreads out soft and even illumination.
- Surface mounting design allows for convenient installation.



0016061CW-85



Part Number	0016061CW-85	0016062CW-85	0016061CB-85	0016062CB-85
Primary Colour	○ Cool white ● Warm white ● Pure white	○ Cool white ● Warm white ● Pure white	○ Cool white ● Blue ● Blue&Cool	○ Cool white ● Blue ● Blue&Cool
Shell Colour	○ White	● Silver	○ White	● Silver
Lumens Output	○ Cool white 240 lm	● Warm white 170 lm	● Pure white 220 lm	● Blue /
Colour Temperature	6000-6500K	2800-3200K	3750-4250k	/
Voltage	13.5V			
Current Type	DC (Direct Current)			
Power Consumption	3.5 Watts			
Amp Draw	290mA			
Lens Material	PC			
Cover Material	PC			
Mounting	Surface mount			
Dimmable	Yes			



PC lens makes a good lighting transmission



Cool White



Pure White

SINGLE/DOUBLE PANCAKE LIGHTS



Features

This Motion Sensor LED Oval Pancake Light is an economic and effective alternative to the conventional halogen pancake light. It emits soft lighting through a fire resistant PC lens without glaring. Its 3-phase-switch combines the function of turning ON/OFF and activation/deactivation the motion sensor function.

We also have the traditional style (P.N. 0016043C & 0016045C), which is built with on/off rocker switch.



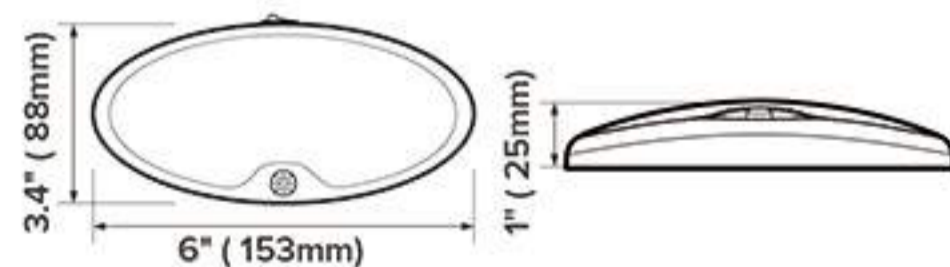
P.N. 0016043C-Sensor



Smart motion sensor
Three phases rocker switch



Automatic lighting



SINGLE (Motion Sensor)

Part Number	0016043C-Sensor
Primary Colour	<input type="radio"/> Cool white
Lumes Output	390 lm
Colour Temperature	6000-6500K
Shell Colour	<input type="radio"/> White
Voltage Range	10-15 volts
Current Type	DC (Direct Current)
Amp Draw at 13.4 volts	350mA
Power Consumption	4.7 Watts
Lens Material	PC
Base Material	PC
Mounting	Surface mount



OPERATION INSTRUCTION

I Manual ON/OFF

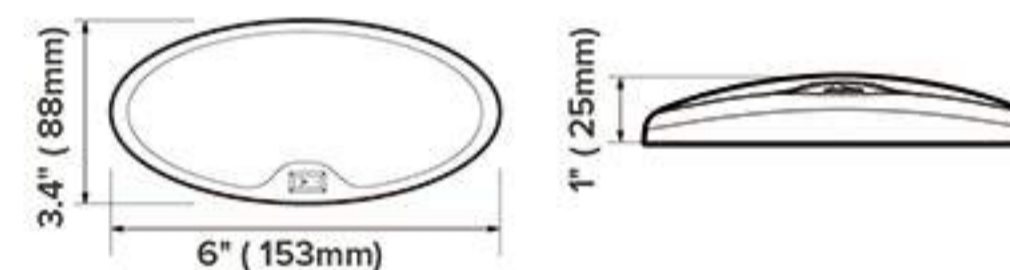
II When you put the switch button to AUTO mode () , motion-activated sensor will detect motion and turn on light automatically, and turn off after no motion is detected for preset 35 seconds, when the object is greater than 4 meters away.



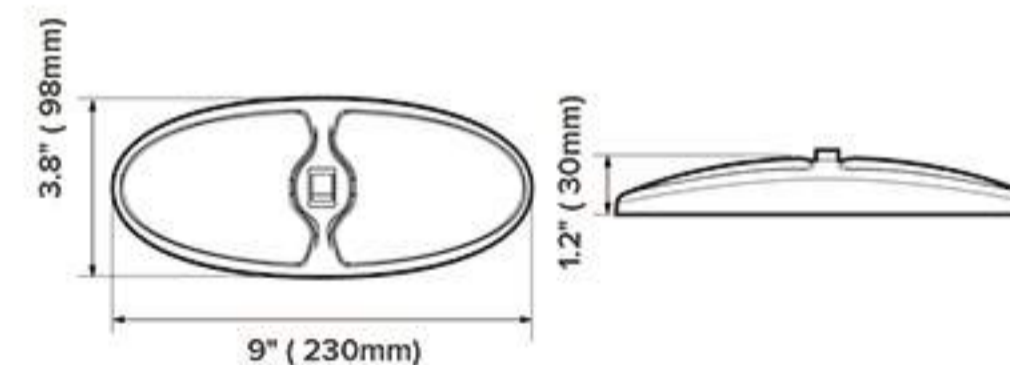
P.N. 0016043C



P.N. 0016043C-BLK



P.N. 0016045C



SINGLE

Part Number	0016043C	0016043C-BLK
Shell Colour	<input type="radio"/> White	<input checked="" type="radio"/> Black
Primary Colour	<input type="radio"/> Cool white	
Voltage Range	10-15 volts	
Current Type	DC (Direct Current)	
Amp Draw at 13.4 volts	350mA	
Power Consumption	4.7 Watts	
Lumens Output	390 lm	
Lens Material	PC	
Colour Temperature	6000-6500K (Cool White)	
Base Material	PC	
Mounting	Surface mount	

Also Available

Part Number	Description
0016043CNS	As above No Switch in White
0016043CNS-BLK	As above No Switch in Black

DOUBLE

Part Number	0016045C
Primary Colour	<input type="radio"/> Cool white
Shell Colour	<input type="radio"/> White
Voltage Range	10-15 volts
Current Type	DC (Direct Current)
Amp Draw at 13.4 volts	580mA
Power Consumption	7.8 Watts
Lumens Output	610 lm
Lens Material	PC
Colour Temperature	6000-6500K (Cool White)
Base Material	PC
Mounting	Surface mount



ON/OFF rocker switch



Super bright light



High quality PC materials
Efficient heat dissipation

LED CRYSTAL DELUXE OVAL/SQUARE CEILING LIGHT



Features

This nice looking unit is designed with decorative purpose as you can see the base is highly polished and the frosted acrylic lens hides those naked but effective LED chips while optimizing light distribution. We build blue LEDs and a smart circuit that offers 2 levels of white light for the model 0016651. And model 0016602 & 0016604 can be switched to 3 brightness levels. Also the memory function brings great convenience to keep the brightness at the same level when it is turned on again.

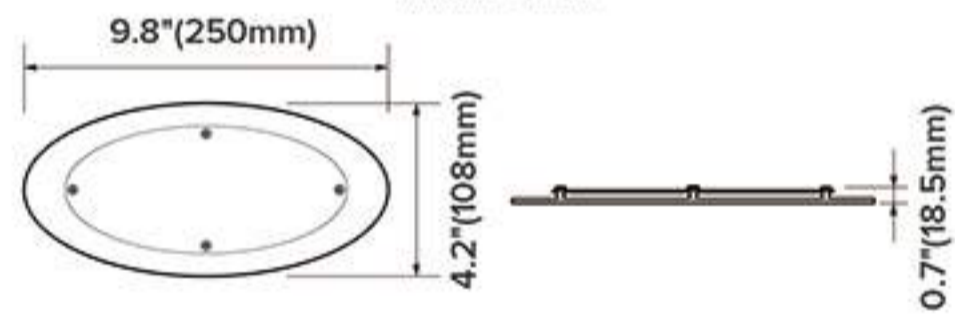
LED CEILING LIGHT

LED CEILING LIGHT

New Product



P.N. 0016642



250MM

Part Number	0016642C
Primary Colour	○ Cool white
Voltage Range	330 lm
Current Type	10-15 volts
Lumens Output	400 mA
Amp Draw at 13.4 volts	5.4 Watts
Power Consumption	DC (Direct Current)
Base Material	Clear Crystal
Lens Material	PMMA
Colour Temperature	6000-6500K
Mounting	Surface mount

Also Available

Part Number	Description
0016641C	As above No Switch in Cool White
0016641W	As above No Switch in Warm White

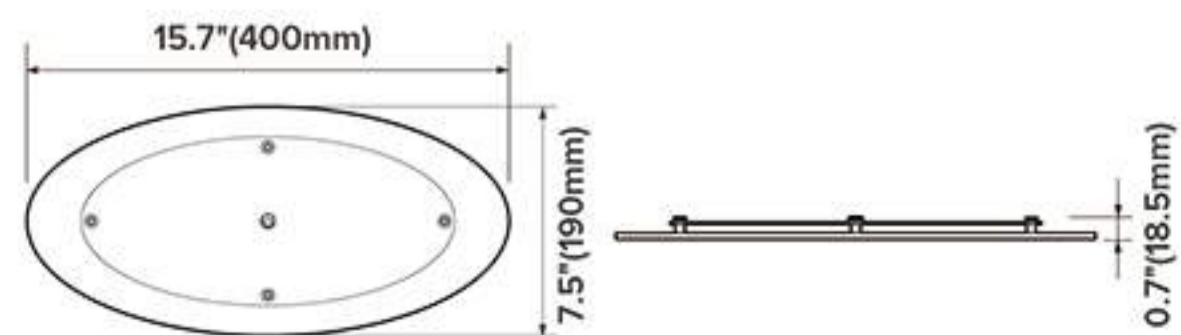
400MM

Part Number	0016651C	0016651W
Primary Colour	○ Cool white	● Pure white
Secondary Colour	● Blue	● Blue
Lumens Output	550/1100 lm	500/1000 lm
Colour Temperature	6000-6500K	4250-4750K

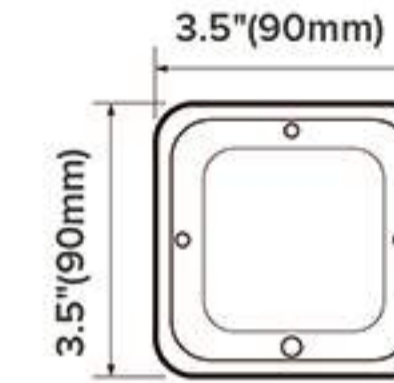
Voltage Range	10-15 volts
Current Type	DC (Direct Current)
Amp Draw at 13.4 volts	580/1160 mA
Power Consumption	7.8/15.5 Watts
Base Material	Clear Crystal
Lens Material	PMMA
Mounting	Surface mount
Dimmable	Two pauses brightness



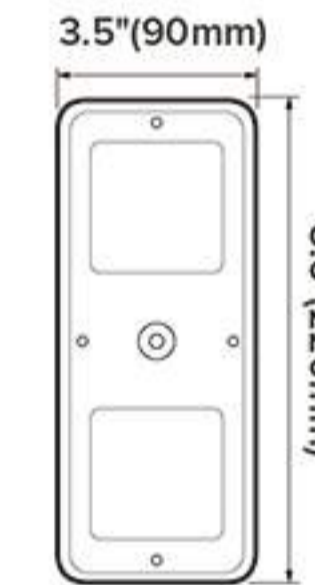
P.N. 0016651



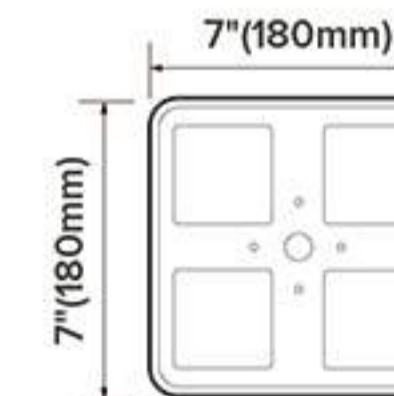
P.N. 0016601



P.N. 0016602



P.N. 0016604



SQUARE SINGLE

Part Number	0016601C	0016601W
Primary Colour	○ Cool white	● Warm white
Lumens Output	130 lm	125 lm
Colour Temperature	6000-6500K	2800-3200K

Voltage Range	10-15 volts
Current Type	DC (Direct Current)
Amp Draw at 13.4 volts	134mA
Power Consumption	1.8 Watts
Base Material	Clear Crystal
Lens Material	PMMA
Mounting	Surface mount

SQUARE DOUBLE

Part Number	0016602C	0016602W
Primary Colour	○ Cool white	● Warm white
Secondary Colour	● Blue	● Blue
Lumens Output	80/160/320 lm	70/120/280 lm
Colour Temperature	6000-6500K	2800-3200K

Voltage Range	10-15 volts
Current Type	DC (Direct Current)
Amp Draw at 13.4 volts	110/180/330 mA
Power Consumption	1.5/2.4/4.4 Watts
Base Material	Clear Crystal
Lens Material	PMMA
Mounting	Surface mount
Dimmable	Three pauses brightness



SQUARE QUAD

Part Number	0016604C	0016604W
Primary Colour	○ Cool white	● Pure white
Secondary Colour	● Blue	● Blue
Lumens Output	190/310/650 lm	130/270/560 lm
Colour Temperature	6000-6500K	4250-4750K

Voltage Range	10-15 volts
Current Type	DC (Direct Current)
Amp Draw at 13.4 volts	180/440/630 mA
Power Consumption	2.5/5.9/8.4 Watts
Base Material	Clear Crystal
Lens Material	PMMA
Mounting	Surface mount
Dimmable	Three pauses brightness



**76/127/216MM
LED ULTRA SLIM
PANEL LIGHT
WITH/WITHOUT
MEMORY SWITCH**

LED CEILING LIGHT



Features

This Opal Panel Light is a high quality LED alternative to conventional interior halogen ceiling lighting fixture. Equipped with high quality LED chips and a pearl PC lens, this LED Panel Light provides high intensity and soft light distribution without glaring. By pressing the switch, you can adjust its brightness level from 10% to 100%. The memory function helps to keep the brightness on the same level when it is turned on again. Innovational LED technology provides significant power saving benefits for your vehicle battery.

- New Features -

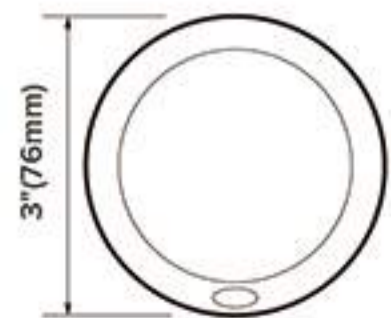


With Memory Function



P.N. 0016939C

P.N. 0016938C



76MM

Part Number	0016939C	0016938C
Shell Colour	<input type="radio"/> White	<input checked="" type="radio"/> Chrome
Primary Colour	<input type="radio"/> Cool white	
Voltage Range	10-15 volts	
Current Type	DC (Direct Current)	
Amp Draw at 13.4 volts	180mA	
Power Consumption	2.4 Watts	
Lumens Output	170 lm	
Lens Material	PC	
Colour Temperature	6000-6500K (Cool White)	
Base Material	Coated aluminum	
Mounting	Surface mount	
Dimmable	Yes	

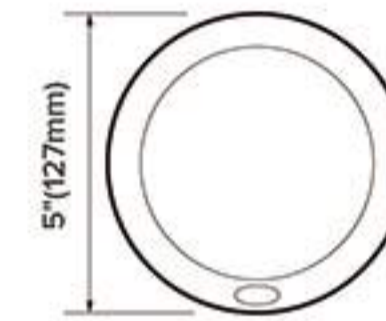
Also Available

Part Number	Description
0016909C	As above No Switch in White
0016908C	As above No Switch in Chrome



P.N. 0016937C

P.N. 0016933C

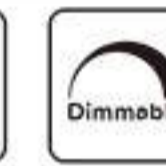


127MM

Part Number	0016937C	0016933C
Shell Colour	<input type="radio"/> White	<input checked="" type="radio"/> Chrome
Primary Colour	<input type="radio"/> Cool white	
Secondary Colour	<input checked="" type="radio"/> Blue	
Voltage Range	10-15 volts	
Current Type	DC (Direct Current)	
Amp Draw at 13.4 volts	180/350 mA	
Power Consumption	2.4/4.7 Watts	
Lumens Output	150/310 lm	
Lens Material	PC	
Color Temperature	6000-6500K (Cool White)	
Base Material	Coated aluminum	
Mounting	Surface mount	
Dimmable	Yes	

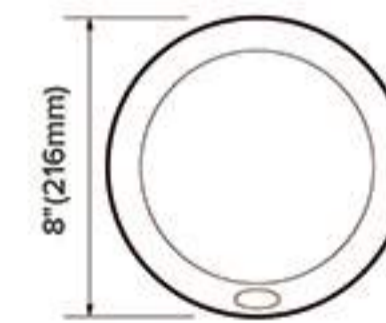
Also Available

Part Number	Description
0016907C	As above No Switch in White
0016903C	As above No Switch in Chrome



P.N. 0016935C

P.N. 0016931C

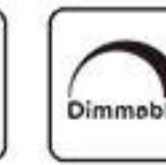


216MM

Part Number	0016935C	0016931C
Shell Colour	<input type="radio"/> White	<input checked="" type="radio"/> Chrome
Primary Colour	<input type="radio"/> Cool white	
Secondary Colour	<input checked="" type="radio"/> Blue	
Voltage Range	10-15 volts	
Current Type	DC (Direct Current)	
Amp Draw at 13.4 volts	520/1060 mA	
Power Consumption	7/14.2 Watts	
Lumens Output	430/850 lm	
Lens Material	PC	
Color Temperature	6000-6500K (Cool White)	
Base Material	Coated aluminum	
Mounting	Surface mount	
Dimmable	Yes	

Also Available

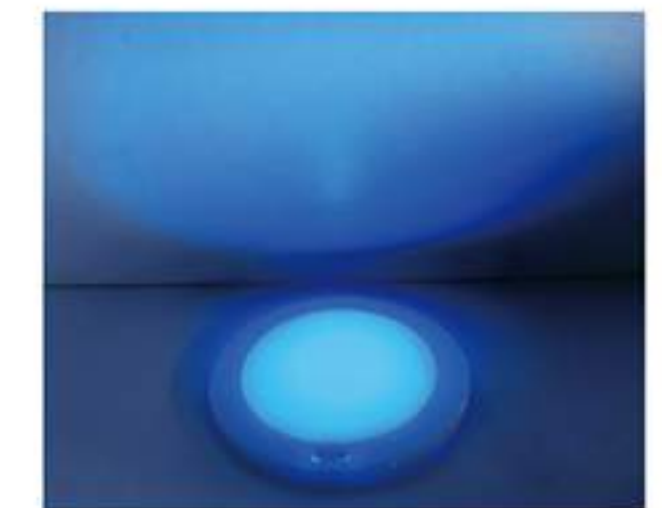
Part Number	Description
0016905C	As above No Switch in White
0016901C	As above No Switch in Chrome



Memory programmed switch



Hold switch to adjust brightness level from 10-100%.



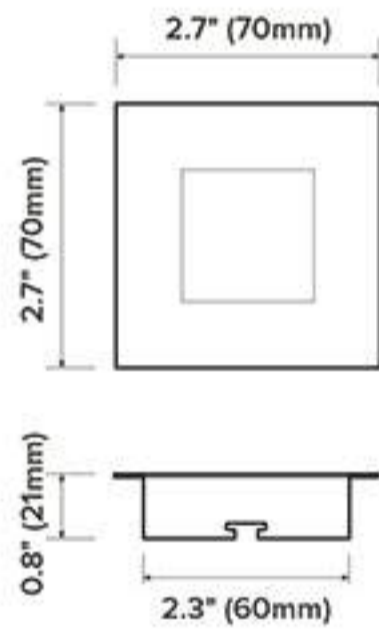
Blue mood light mode

LED CEILING LIGHT

STAINLESS STEEL PUCK LIGHT

Features

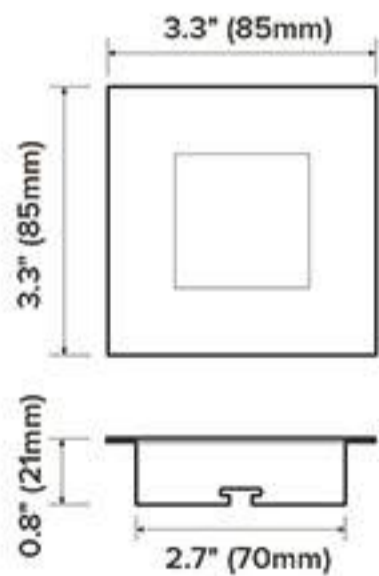
This stylish high power LED Roof Light comes with a highly polished 304/316 grade stainless steel shell. It is completely water/saltwater corrosion resistant, ideal for interior/exterior applications. It spreads soft light in uniform pattern without glare.



P.N. 0016721W **24V**

70MM SQUARE

Part Number	0016721W
Primary Colour	● Warm white
Shell Colour	● Silver
Voltage Range	20-26 volts
Current Type	DC (Direct Current)
Amp Draw at 24 volts	108 mA
Power Consumption	2.6 Watts
Base Material	304 Stainless Steel
Lumens Output	250 lm
Lens Material	PC
Color Temperature	2800-3200K
Mounting	Surface mount
Dimmable	Yes



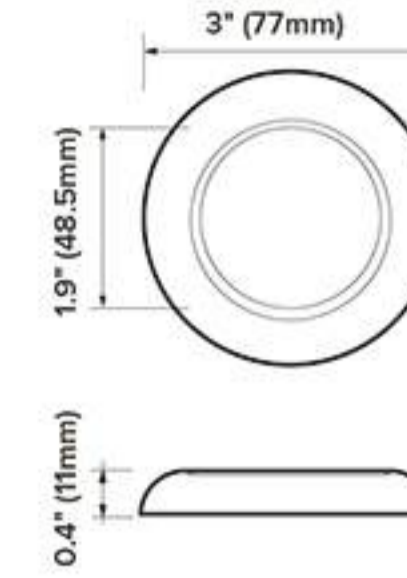
P.N. 0016721W **24V**

85MM SQUARE

Part Number	0016722W
Primary Colour	● Warm white
Shell Colour	● Silver
Voltage Range	20-26 volts
Current Type	DC (Direct Current)
Amp Draw at 24 volts	200 mA
Power Consumption	4.8 Watts
Base Material	304 Stainless Steel
Lumens Output	380 lm
Lens Material	PC
Color Temperature	2800-3200K
Mounting	Surface mount
Dimmable	Yes



P.N. 0016143

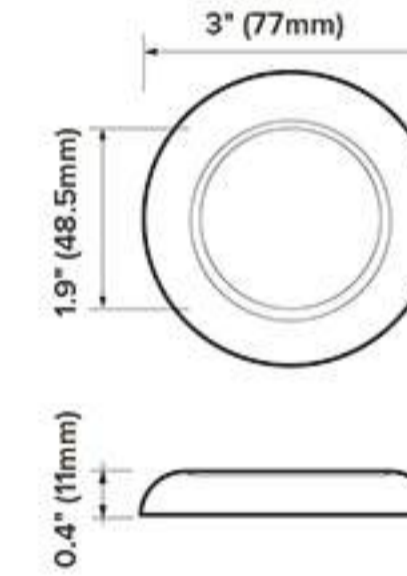


3" 304SS STAINLESS STEEL

Part Number	0016143C	0016143W
Primary Colour	○ Cool white	● Pure white
Lumens Output	200 lm	200 lm
Colour Temperature	6300-6800K	4250-4750K
Voltage Range	10-15 Volt	
Current Type	DC (Direct Current)	
Amp Draw at 13.4 volts	245mA	
Power Consumption	3.3 Watts	
Base Material	304 Stainless Steel	
Lens Material	PC	
Shell Colour	● Silver	
Mounting	Surface mount	
Dimmable	Yes	



P.N. 0016133/0016163 **12V 24V**



3" 316SS STAINLESS STEEL

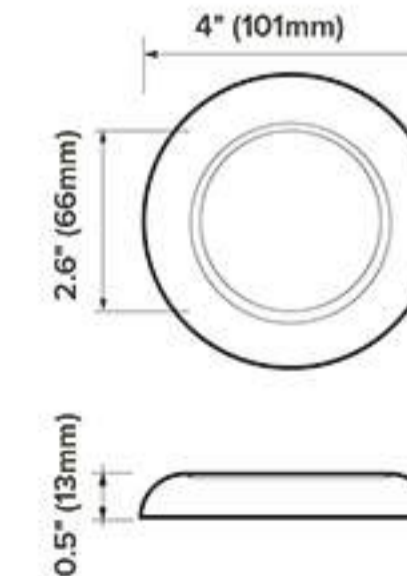
Part Number	0016133W	0016163W
Primary Colour	● Pure white	● Pure white
Lumens Output	200 lm	200 lm
Voltage Range	10-15 volts	24-28 volts
Amp Draw	245 mA	105 mA
Power Consumption	3.3 Watts	2.5 Watts
Current Type	DC (Direct Current)	
Colour Temperature	4250-4750K	
Base Material	316 Stainless Steel	
Shell Colour	● Silver	
Lens Material	PC	
Mounting	Surface mount	
Dimmable	Yes	

Also Available

0016133R	● Red	10-15 volts	56 mA	0.7 Watts
0016133R	● Red	24-28 volts	28 mA	0.6 Watts



P.N. 0016104/0016164 **12V 24V**



4" 304/316 STAINLESS STEEL

Description	4" 304ss	4" 316ss
Part Number	0016104W	0016164W
Primary Colour	● Pure white	● Pure white
Lumens Output	310 lm	305 lm
Voltage Range	10-15 volts	24-28 volts
Amp Draw	380 mA	140 mA
Power Consumption	4.9 Watts	3.4 Watts
Base Material	304 Stainless Steel	316 Stainless Steel
Current Type	DC (Direct Current)	
Colour Temperature	4250-4750K	
Shell Colour	● Silver	
Lens Material	PC	
Mounting	Surface mount	
Dimmable	Yes	

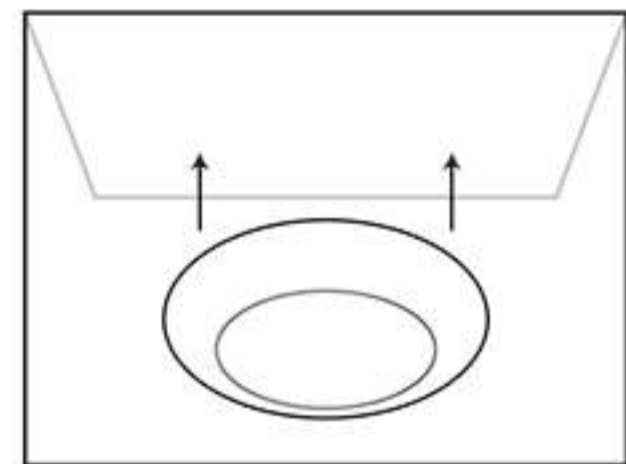


CABINET DOWN LIGHTS

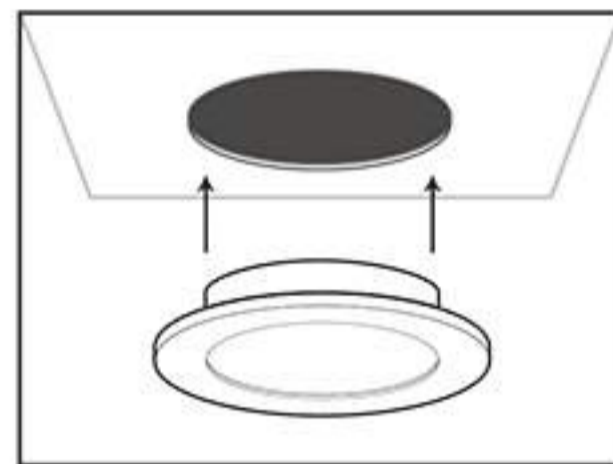


Features

This LED Cabinet Down Light is an energy saving LED alternative to typical halogen down light. By adopting innovational LED technology and a shock-resistant PC lens, it provides a super illumination without glaring. It is made of fire-resistant material, which makes it a reliable and power saving lighting option.



Surface mounting



Recessed mounting



Dot free, provide an even light distribution



P.N. 0016031



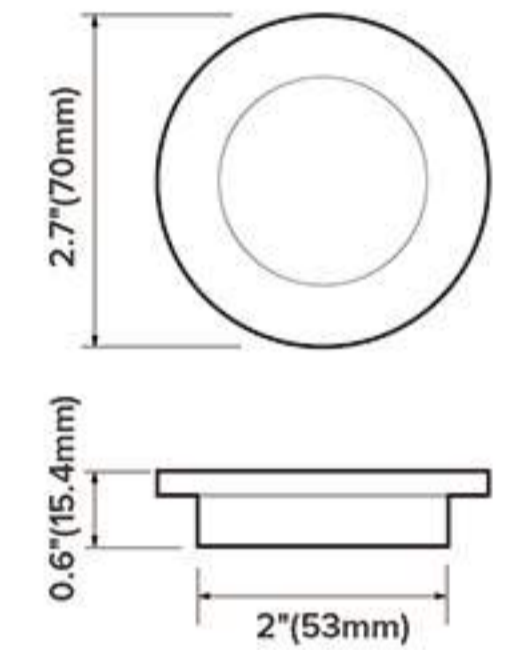
P.N. 0016021



P.N. 0016001C

DOT-FREE 70MM RECESSED MOUNT DOT-FREE DOWN LIGHT

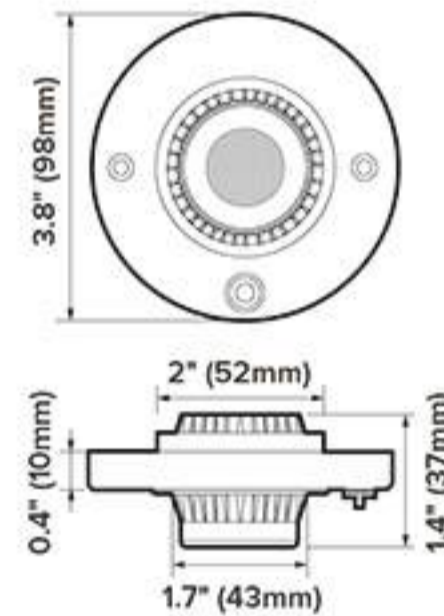
Part Number	0016031C	0016031W	0016021C	0016001C
Primary Colour	Cool white	Warm white	Cool white	Cool white
Shell Colour	Silver	Silver	Black	White
Voltage Range	10-15 volts	10-15 volts	10-15 volts	10-15 volts
Amp Draw at 13.4 volts	230mA	230mA	230mA	160mA
Power Consumption	3.1 Watts	3.1 Watts	3.1 Watts	2.2 Watts
Lumens Output	190 lm	180 lm	190 lm	120 lm
Current Type	DC (Direct Current)			
Lens Material	PC			
Base Material	Fire Resistant Frosted PC(Poly carbonate)			
Color Temperature	6000-6500K (Cool White) / 2800-3200K (Warm White)			
Mounting	Recessed Mount			
Dimmable	Yes			



DIRECTIONAL EYEBALL CABINET LIGHT



P.N. 0016051C



Part Number	0016051C
Primary Colour	Cool white
Shell Colour	Silver
Voltage Range	10-15 volts
Current Type	DC (Direct Current)
Amp Draw at 13.4 volts	156 mA
Power Consumption	2 Watts
Lumens Output	120 lm
Current Type	DC (Direct Current)
Lens Material	PC
Base Material	Coated Aluminum
Color Temperature	6000-6500K (Cool White)
Mounting	Recessed Mount



P.N. 0016193W



P.N. 0016193W-BLK

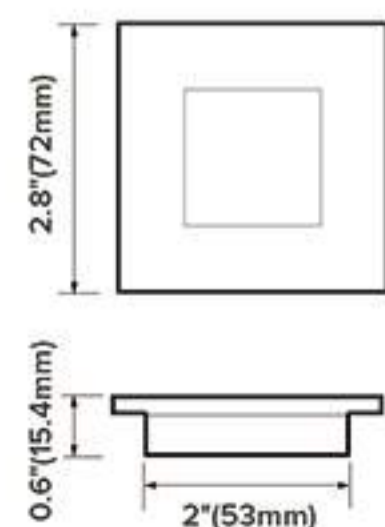


P.N. 0016193W-WHT

DOT-FREE 72MM SQUARE CEILING LIGHT



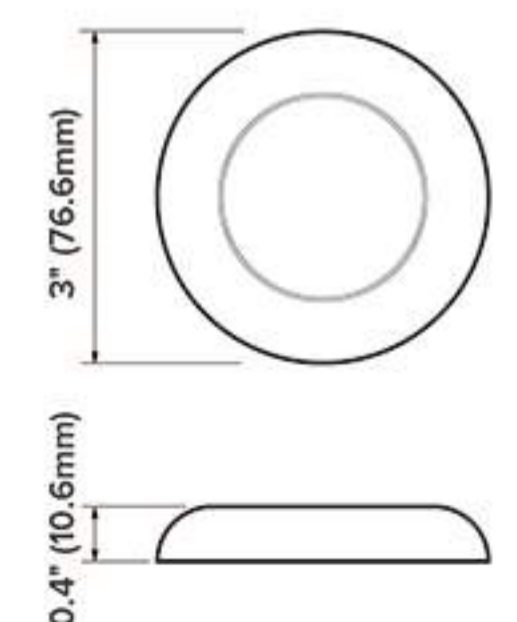
P.N. 0016711C



Part Number	0016711C
Primary Colour	Cool white
Shell Colour	Silver
Voltage Range	10-15 volts
Current Type	DC (Direct Current)
Amp Draw at 13.4 volts	230mA
Power Consumption	3.1 Watts
Lumens Output	190 lm
Current Type	DC (Direct Current)
Lens Material	PC
Base Material	Fire Resistant Frosted PC (Poly carbonate)
Color Temperature	6000-6500K (Cool White)
Mounting	Recessed Mount
Dimmable	Yes

DOT-FREE SURFACE MOUNT DOT-FREE DOWN LIGHT

Part Number	0016193W	0016193W-BLK	0016193W-WHT
Shell Colour	Silver	Black	White
Primary Colour	Pure white		
Voltage Range	10-15 volts		
Current Type	DC (Direct Current)		
Amp Draw at 13.4 volts	245 mA		
Power Consumption	3.3 Watts		
Lumens Output	200 lm		
Lens Material	PC		
Base Material	PC		
Color Temperature	4250-4750K		
Mounting	Surface Mount		
Dimmable	Yes		



DUAL COLOUR READING LIGHT WITH USB PORT



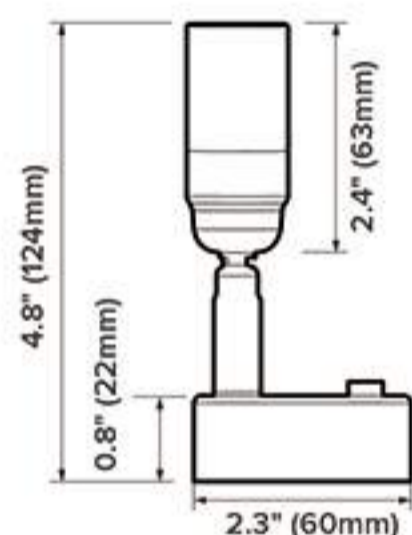
Features

This LED light is surely to be the most intelligent reading light you have ever seen. Equipped with a programmed switch, you can adjust this light from a blue indicator light to cool white task illumination. The blue light provides an amazing decorative effect; meanwhile you can use it as your bedside mood light. Manufactured with high quality LED chips as well as an innovational optic lens technology, it provides an even spread of soft light without causing eyestrain. The Plus design of a USB port can charge any devices. Its max output is 2.1Amps.

A swivel arm provides adjustable lighting direction for your reading convenience. Vibration-proof and durable construction suits for driving on any bumpy road.



P.N. 0012172-USB



Swivel Joint

Part Number	0012172C-USB	0012172W-USB
Primary Colour	<input type="radio"/> Cool white	<input type="radio"/> Warm white
Lumens Output	80 lm	75 lm
Colour Temperature	6000-6500K	2800-3200K

Secondary Colour	<input type="radio"/> Blue
Shell Colour	<input type="radio"/> Silver
Voltage Range	12-15 volts
Current Type	DC (Direct Current)
Amp Draw at 13.4 volts	150mA
Power Consumption	2 Watts
USB Power	2.1 A
Lens Material	Acrylic
Base Material	Coated Steel
Mounting	Surface mount
Dimmable	No



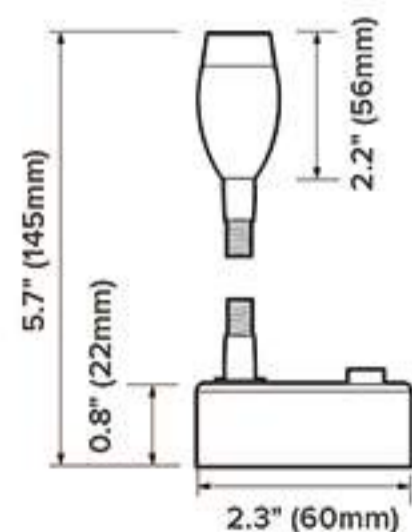
Flexible Arm

Part Number	0012175C-USB	0012175W-USB
Primary Colour	<input type="radio"/> Cool white	<input type="radio"/> Warm white
Lumens Output	80 lm	75 lm
Colour Temperature	6000-6500K	2800-3200K

Secondary Colour	<input type="radio"/> Blue
Shell Colour	<input type="radio"/> Silver
Voltage Range	12-15 volts
Current Type	DC (Direct Current)
Amp Draw at 13.4 volts	150mA
Power Consumption	2 Watts
USB Power	2.1 A
Lens Material	Acrylic
Base Material	Coated Steel
Mounting	Surface mount
Dimmable	No



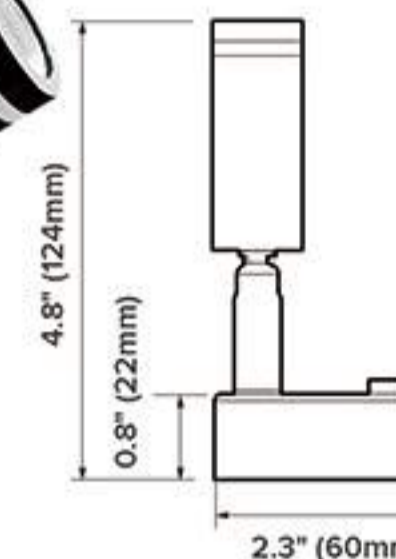
P.N. 0012175-USB



P.N. 0012176CS-CHR-USB



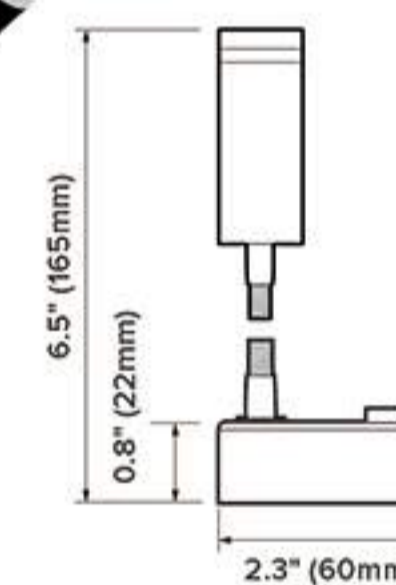
P.N. 0012176CS-BLK-USB



P.N. 0012176CF-CHR-USB



P.N. 0012176CF-BLK-USB



Swivel Joint

Part Number	0012176CS-CHR-USB	0012176CS-BLK-USB
Shell Colour	<input type="radio"/> Silver	<input type="radio"/> Black

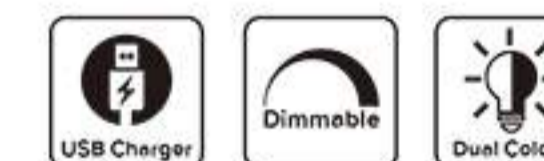
Primary Colour	<input type="radio"/> Cool white
Secondary Colour	<input type="radio"/> Blue
Lumens Output	80 lm
Colour Temperature	6000-6500K
Voltage Range	10-15 volts
Current Type	DC (Direct Current)
Amp Draw at 13.4 volts	150mA
Power Consumption	2 Watts
USB Power	2.1 A
Lens Material	Acrylic
Base Material	Coated Steel
Mounting	Surface mount
Dimmable	Yes



Flexible Arm

Part Number	0012176CF-CHR-USB	0012176CF-BLK-USB
Shell Colour	<input type="radio"/> Silver	<input type="radio"/> Black

Primary Colour	<input type="radio"/> Cool white
Secondary Colour	<input type="radio"/> Blue
Lumens Output	80 lm
Colour Temperature	6000-6500K
Voltage Range	10-15 volts
Current Type	DC (Direct Current)
Amp Draw at 13.4 volts	150mA
Power Consumption	2 Watts
USB Power	2.1 A
Lens Material	Acrylic
Base Material	Coated Steel
Mounting	Surface mount
Dimmable	Yes



Built-in 2.1A USB charger port, suit for your phone and tablet



Dual mode functionality provides bright light for reading and soft blue light for night

PROGRAMMED DUAL COLOUR READING LIGHT



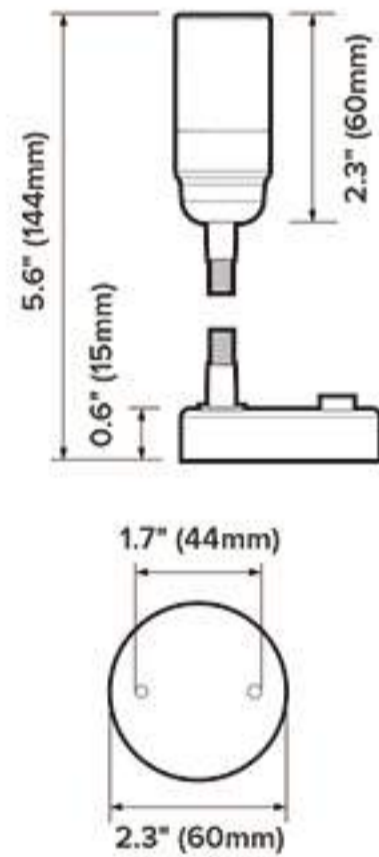
Features

This LED light is surely to be the most intelligent reading light you have ever seen. Equipped with a programmed switch, you can adjust this light from a blue indicator light to white task illumination. The blue light provides an amazing decorative effect; meanwhile you can use it as your bedside mood light. Manufactured with high quality LED chips as well as an innovational optic lens technology, it provides an even spread of soft light without causing eyestrain. A swivel arm provides adjustable lighting direction for your reading convenience. Vibration-proof and durable construction makes it work stably when vehicle is on movement.

LED READING LIGHT



P.N. 0012173C

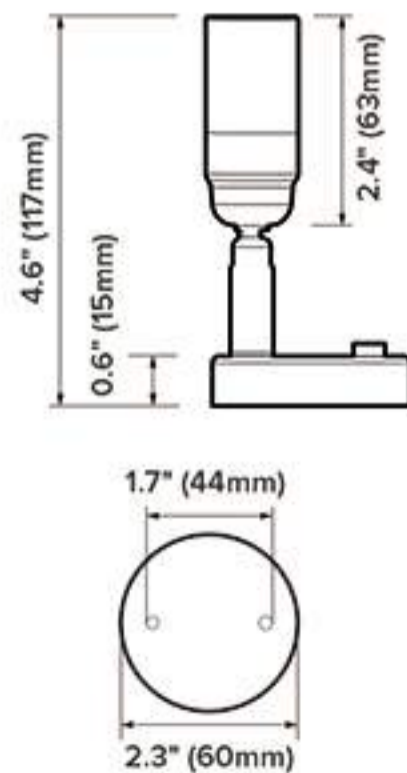


Flexible Arm

Part Number	0012173C
Primary Colour	○ Cool white
Secondary Colour	● Blue
Shell Colour	● Silver
Voltage Range	10-15 volts
Current Type	DC (Direct Current)
Amp Draw at 13.4 volts	150mA
Power Consumption	2 Watts
Lumens Output	80 lm
Colour Temperature	6000-6500K
Lens Material	Acrylic
Base Material	Coated Steel
Mounting	Surface mount
Dimmable	No



P.N. 0012172C

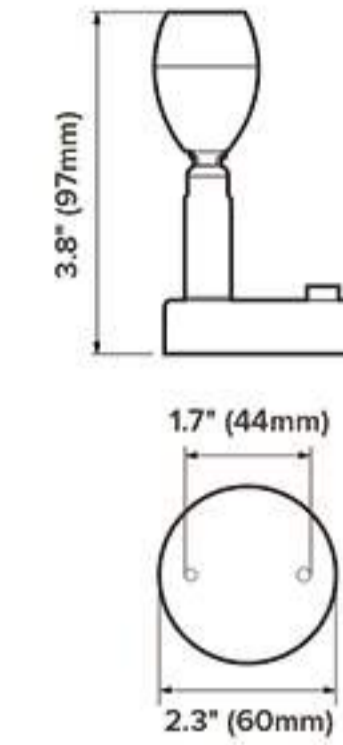


Swivel Joint

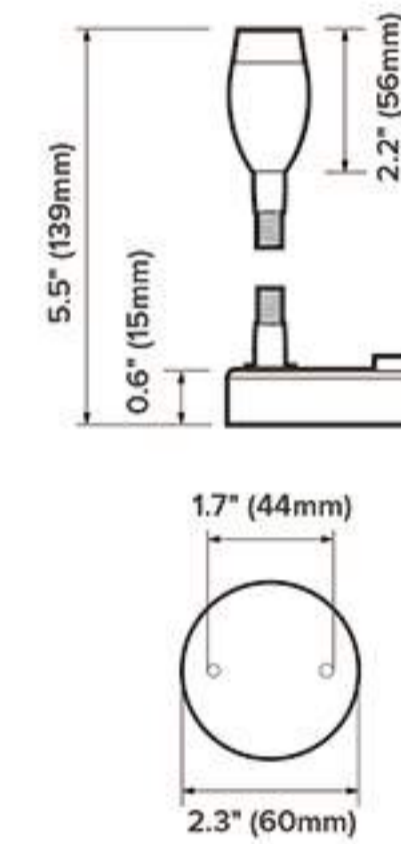
Part Number	0012172C
Primary Colour	○ Cool white
Secondary Colour	● Blue
Shell Colour	● Silver
Voltage Range	10-15 volts
Current Type	DC (Direct Current)
Amp Draw at 13.4 volts	150mA
Power Consumption	2 Watts
Lumens Output	80 lm
Colour Temperature	6000-6500K
Lens Material	Acrylic
Base Material	Coated Steel
Mounting	Surface mount
Dimmable	No



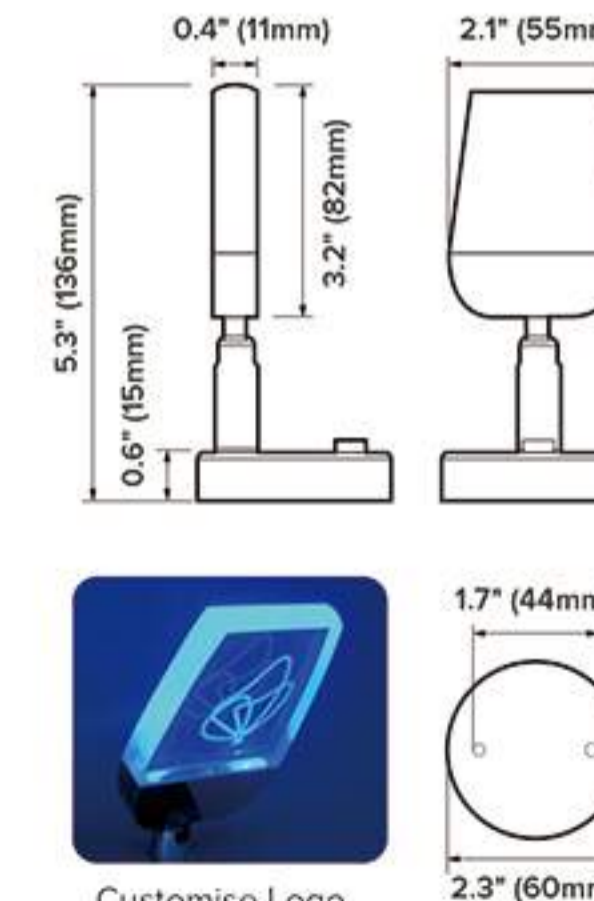
P.N. 0012174C



P.N. 0012175C



P.N. 0012177C



Customise Logo
*MOQ required

Swivel Arm

Part Number	0012174C
Primary Colour	○ Cool white
Lumens Output	80 lm
Colour Temperature	6000-6500K
Secondary Colour	● Blue
Shell Colour	● Silver
Voltage Range	10-15 volts
Current Type	DC (Direct Current)
Amp Draw at 13.4 volts	150mA
Power Consumption	2 Watts
Lens Material	Acrylic
Base Material	Coated Steel
Mounting	Surface mount
Dimmable	No



Flexible Arm

Part Number	0012175C
Primary Colour	○ Cool white
Lumens Output	80 lm
Colour Temperature	6000-6500K
Secondary Colour	● Blue
Shell Colour	● Silver
Voltage Range	10-15 volts
Current Type	DC (Direct Current)
Amp Draw at 13.4 volts	150mA
Power Consumption	2 Watts
Lens Material	Acrylic
Base Material	Coated Steel
Mounting	Surface mount
Dimmable	No



Also Available

0012175W ● Warm White

Swivel Joint

Part Number	0012177C
Primary Colour	○ Cool white
Secondary Colour	● Blue
Shell Colour	● Silver
Voltage Range	10-15 volts
Current Type	DC (Direct Current)
Amp Draw at 13.4 volts	150mA
Power Consumption	2 Watts
Lumens Output	110 lm
Colour Temperature	6000-6500K
Lens Material	Acrylic
Base Material	Coated Steel
Mounting	Surface mount
Dimmable	Yes



Also Available

0012177W ● Warm White

LED SWIVEL READING LIGHT

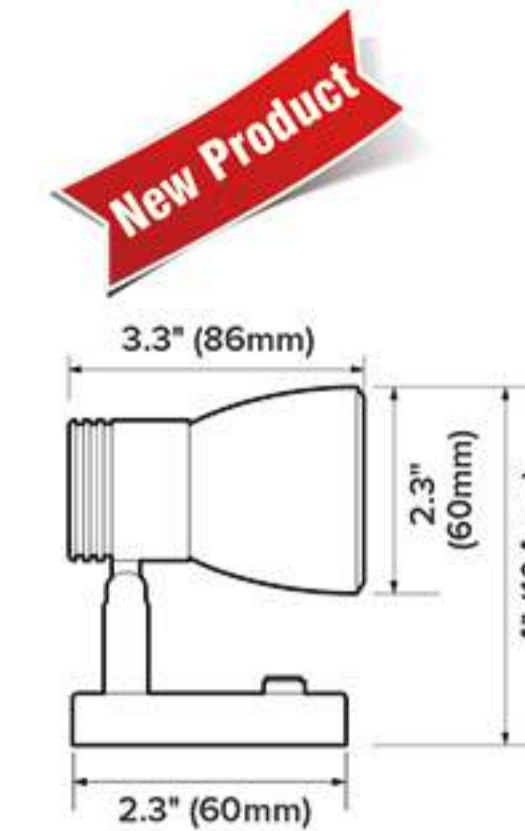


Features

These reading lights are designed with conspicuous metal finish which adds a modern feel to the van or boat. Each of them is built with a durable swivel joint which provides a flexible lighting direction with no dislocation while driving on the bumpy road. Plus the soft and even beam, each of these reading lights is ideal to be used as a permanent lighting fixture wherever a spot light is needed inside the van or boat.



P.N. 0012183CV2



New Product

LED NEW STYLISH GLASS SWIVEL READING LIGHT

Part Number	0012183CV2
Primary Colour	○ Cool white
Lumens Output	120 lm
Voltage Range	10-15 volts
Current Type	DC (Direct Current)
Colour Temperature	6000-6500K
Amp Draw at 13.4 volts	150 mA
Power Consumption	1.9 Watts
Base Material	Coated Steel
Mounting	Surface Mount

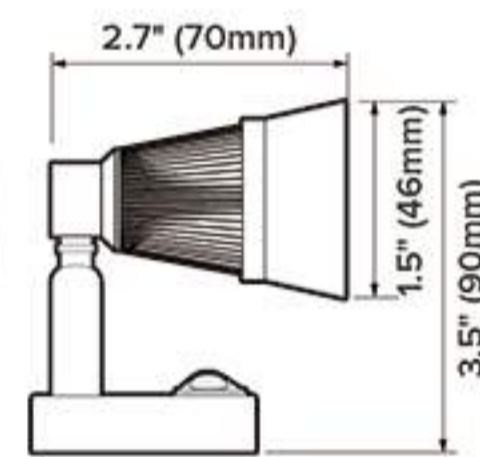
LED FRILLY SWIVEL CHART READING LIGHT

Part Number	0012185C-BLK	0012185C
Shell Colour	● Black	● Silver
Voltage Range	10-15 volts	
Current Type	DC (Direct Current)	
Primary Colour	○ Cool white	
Lumens Output	110 lm	
Amp Draw at 13.4 volts	150mA	
Power Consumption	2 Watts	
Colour Temperature	6000-6500K	
Base Material	Coated Steel	
Mounting	Surface Mount	

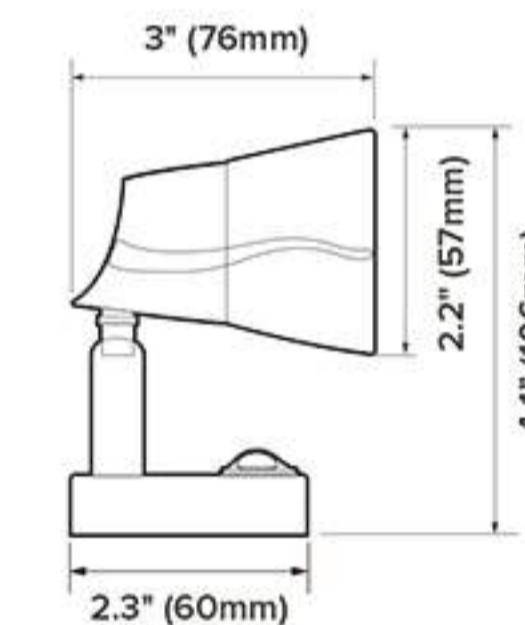


P.N. 0012185C-BLK

P.N. 0012185C



P.N. 0012183C



LED FROSTED GLASS SWIVEL READING LIGHT

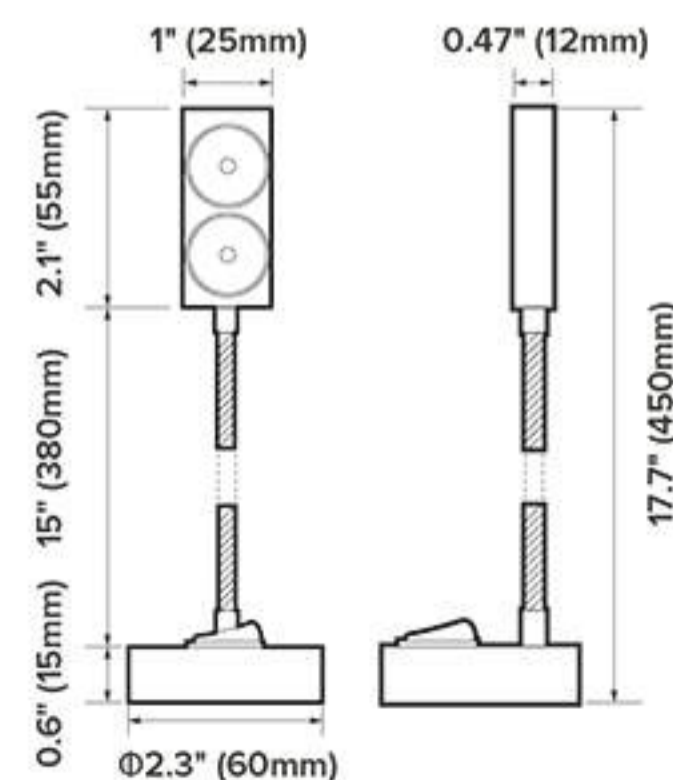
Part Number	0012183C
Primary Colour	○ Cool white
Lumens Output	120 lm
Voltage Range	10-15 volts
Current Type	DC (Direct Current)
Colour Temperature	6000-6500K
Amp Draw at 13.4 volts	150 mA
Power Consumption	1.9 Watts
Base Material	Coated Steel
Mounting	Surface Mount

LED FLEXIBLE GOOSENECK READING LIGHT

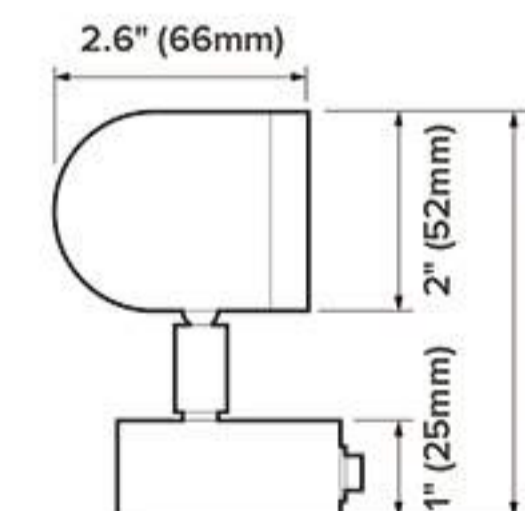
Part Number	0012183C-Retangle
Primary Colour	○ Cool white
Shell Colour	● Silver
Lumens Output	175 lm
Voltage Range	10-15 volts
Current Type	DC (Direct Current)
Amp Draw at 13.4 volts	265mA
Power Consumption	3.18 Watts
Lens Material	PC
Base Material	Aluminum
Color Temperature	6000-6500K
Mounting	Surface mount



P.N. 0012183C-Retangle



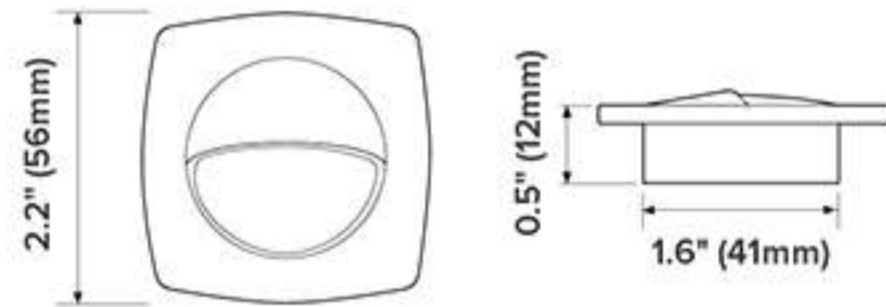
P.N. 0012182C



EURO DESIGN LED SWIVEL READING LIGHT

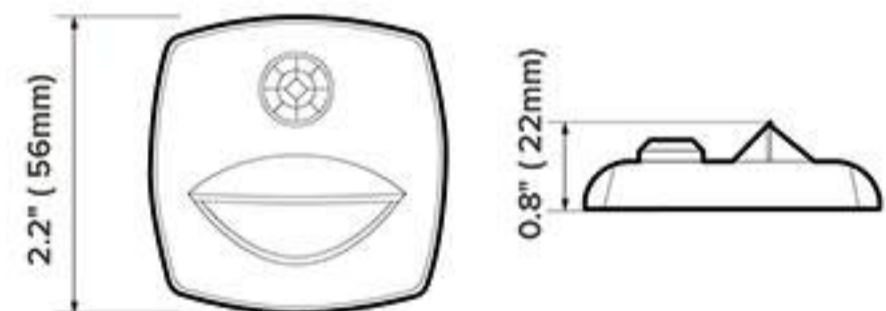
Part Number	0012182C
Primary Colour	○ Cool white
Shell Colour	● Silver
Lumens Output	330 lm
Voltage Range	10-15 volts
Current Type	DC (Direct Current)
Colour Temperature	6000-6500K
Amp Draw at 13.4 volts	290 mA
Power Consumption	3.9 Watts
Base Material	Polished Brass
Mounting	Surface Mount

COURTESY LIGHT



2.2" SQUARE COURTESY LIGHT

Part Number / Shell Colour	<input type="radio"/> White <input checked="" type="radio"/> Black <input type="radio"/> Chrome	0011201C 0011202C 0011203C	0011201B 0011202B 0011203B
Primary Colour	<input type="radio"/> Cool white <input checked="" type="radio"/> Blue	0011201C 0011203C	0011201B 0011203B
Voltage Range	10-15V		
Power Consumption	0.2 Watts		
Amp Draw	15 mA		
Cover Material	PC		
Current Type	DC (Direct Current)		
Colour Temperature	6000-6500K		
Protection	(Fully) Sealed against dust and moisture to IP66		
Mounting	Recessed mount		



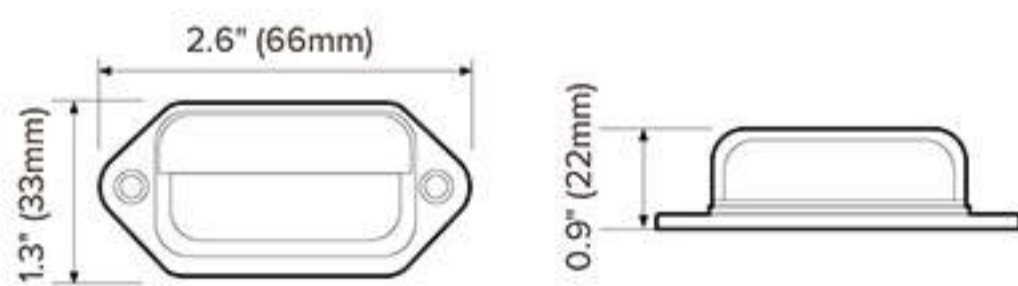
LED SENSOR COURTESY LIGHT

Part Number / Shell Colour	<input type="radio"/> White <input checked="" type="radio"/> Black	0011201C-SNR 0011202C-SNR	0011201B-SNR 0011202B-SNR
Primary Colour	<input type="radio"/> Cool white <input checked="" type="radio"/> Blue	0011201C-SNR 0011203C-SNR	0011201B-SNR 0011203B-SNR
Amp Draw	15mA		
Voltage Range	10-15V		
Power Consumption	0.2 Watts		
Cover Material	PC		
Current Type	DC (Direct Current)		
Colour Temperature	6000-6500K		
Protection	Sealed against dust and moisture to IP55		
Mounting	Surface mount		



2.6" COMPANION WAY LIGHT

Part Number	0011301C 0011302C	0011301B 0011302B
Primary Colour	<input type="radio"/> Cool white <input checked="" type="radio"/> Blue	0011301C 0011302C
Amp Draw	15mA	
Voltage Range	10-15V	
Power Consumption	0.2 Watts	
Cover Material	PC	
Current Type	DC (Direct Current)	
Colour Temperature	6000-6500K	
Protection	(Fully) Sealed against dust and moisture to IP66	
Mounting	Surface mount	



Features

Each of these little LED lights is built with a highly polished metallic plate which focuses the light down to the ground. Some of them are made of 316 stainless steel for a superior resistance to rust. The optical lens seals the rest of the parts of these lights and optimizes the beam. With these ingress-protective structures, these lights reach a high protection grade of IP66. Also they are designed in a small size which provides a flexible installation.



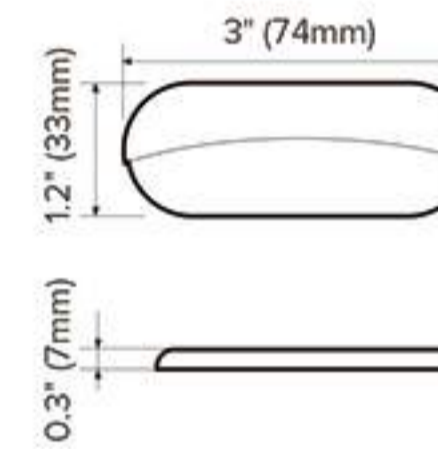
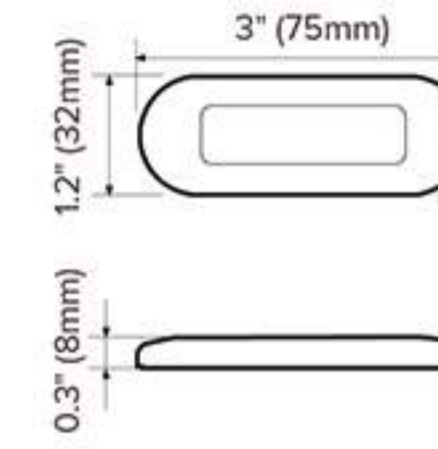
P.N. 0011481/0011482 **12V 24V**

Customise logo design

Available *MOQ required



P.N. 0011441/0011442 **12V 24V**



3" OBLONG COURTESY LIGHT

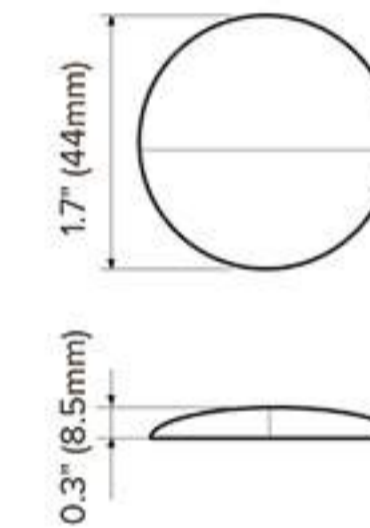
Part Number	0011481C	0011481B	0011441C	0011441B
Primary Colour	<input type="radio"/> Cool white	<input checked="" type="radio"/> Blue	<input type="radio"/> Cool white	<input checked="" type="radio"/> Blue
Amp Draw	15mA	13mA	15mA	13mA
Voltage Range	10-15V			
Power Consumption	0.2 Watts			
Cover Material	316 stainless steel			
Current Type	DC (Direct Current)			
Colour Temperature	6000-6500K			
Protection	(Fully) Sealed against dust and moisture to IP66			
Mounting	Surface mount			

Also Available

0011482C	<input type="radio"/> Cool white	24-28V DC
0011482B	<input checked="" type="radio"/> Blue	24-28V DC



P.N. 0011501



HALF ROUND COURTESY LIGHT

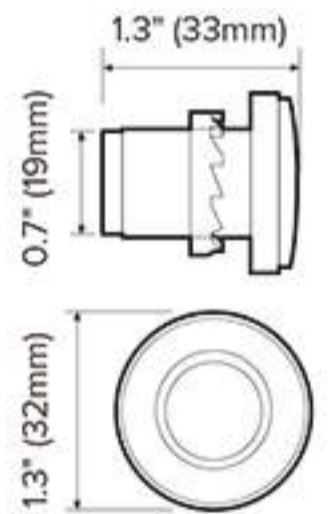
Part Number	0011501C	
Primary Colour	<input type="radio"/> Cool white	
Voltage Range	10-15 volts	
Power Consumption	0.2 Watts	
Amp Draw	15 mA	
Cover Material	304 stainless steel	
Current Type	DC (Direct Current)	
Colour Temperature	6000-6500K	
Protection	(Fully) Sealed against dust and moisture to IP66	
Mounting	Surface mount	

Also Available

0011501W	0011501B
<input checked="" type="radio"/> Warm white	<input checked="" type="radio"/> Blue



P.N. 0011101



COURTESY DECK LIGHT

Part Number	0011101C			
Primary Colour	<input type="radio"/> Cool white			
Voltage Range	10-15 volts			
Power Consumption	0.2 Watts			
Amp Draw at 13.4 volts	15 mA			
Cover Material	PC			
Current Type	DC (Direct Current)			
Colour Temperature	6000-6500K			
Protection	(Fully) Sealed against dust and moisture to IP66			
Mounting	Recessed mount			

Also Available

0011101R	0011101G	0011101B	0011101A
<input checked="" type="radio"/> Red	<input checked="" type="radio"/> Green	<input checked="" type="radio"/> Blue	<input checked="" type="radio"/> Amber



LED FLEXIBLE STRIP LIGHT



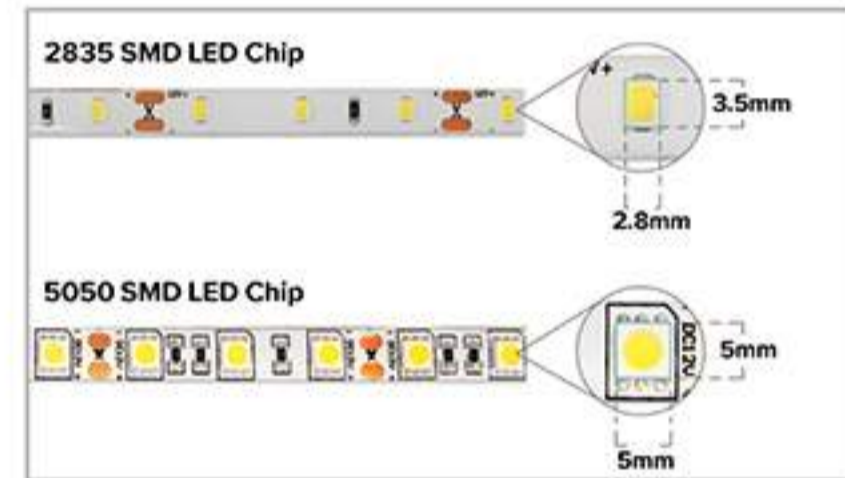
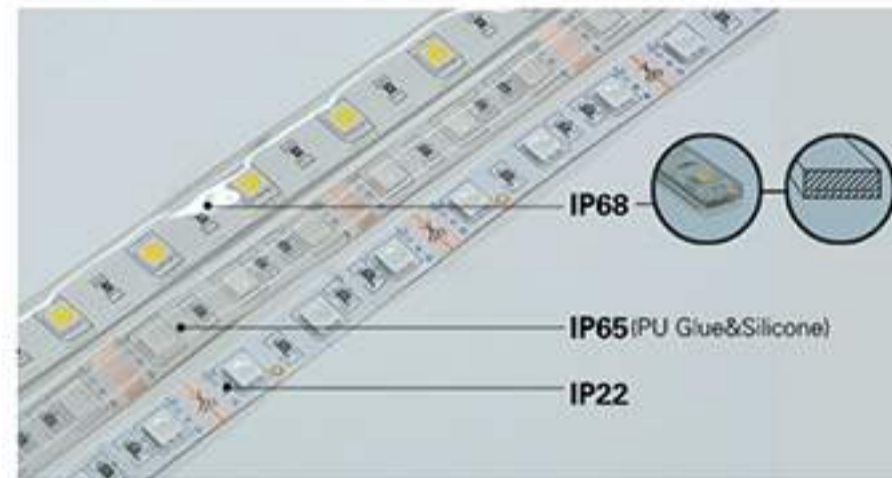
Every 3 LEDs can be cut apart



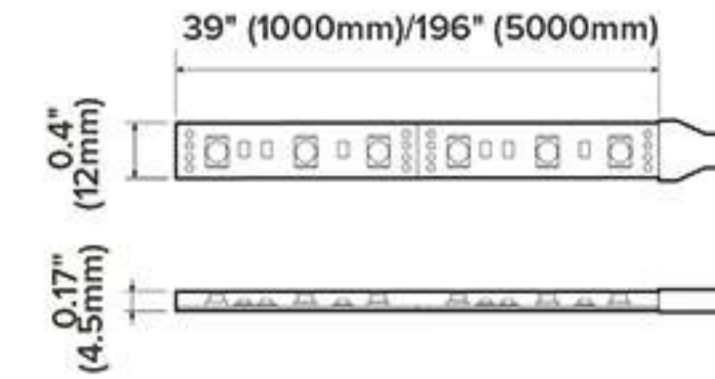
Easy Installation

Features

Flexible 5050 or 3528 LED Strip Light provides a durable, sustainable and extremely efficient light solution for internal/external lighting purposes with a high demand of light intensity. Considering your both interior and exterior applications, the waterproof and non-waterproof modes are included in this product line. Those with waterproof IP68 are protected against ingress of dust and against the effects of immersion, so the ingress of water in harmful quantities shall not be possible when the flexible strip is immersed in water under defined periods of pressure and time.

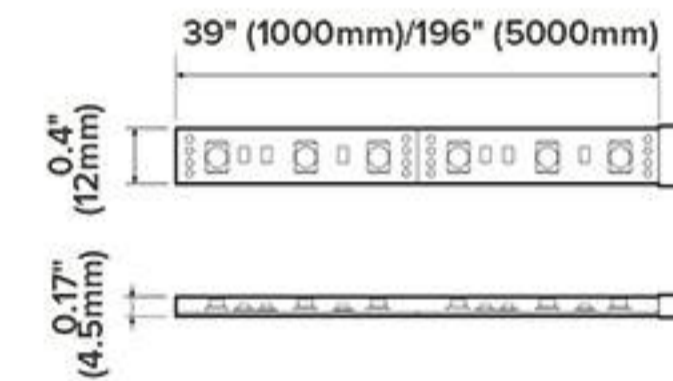


P.N. 0035615C



P.N. 0045611C

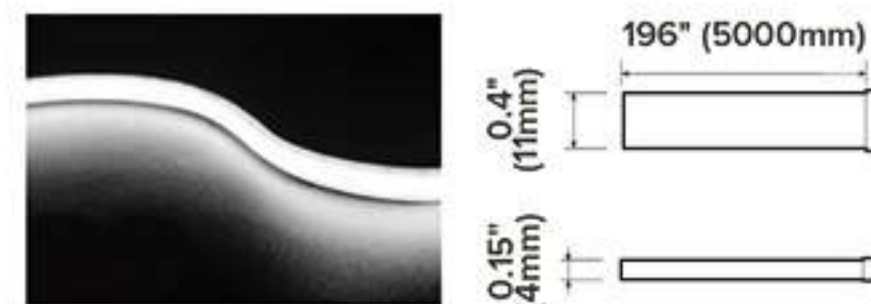
12V 24V



New Product



P.N. 0033715C



WATERPROOF RATE - IP65

LED Type	2835	5050
Part Number / Primary Colour	0033615C <input type="radio"/> Cool White	0035615C <input type="radio"/> Cool White
Length	5000mm	5000mm
Power Consumption	25.6 Watt	77 Watt
Amp Draw at 13.4 volts	2000 mA	6000 mA
Lumens Output	1500 Lumens	5400 Lumens

Voltage Range	10-15V
Current Type	DC (Direct Current)
Protection	Sealed against dust and moisture to IP65
Colour Temperature	6000-6500K (Cool White) 2800-3200K (Warm White)
Dimmable	Yes

Also available in

- Amber 0033615A (5M)
- Blue 0033615B (5M)

WATERPROOF RATE - IP68

LED Type	2835	2835	5050	5050
Part Number / Primary Colour	0043611C <input type="radio"/> Cool White	0043615C <input type="radio"/> Cool White	0045615C <input type="radio"/> Cool White	0045611C <input type="radio"/> Cool White
Length	1000mm	5000mm	5000mm	1000mm
Power Consumption	5.1 Watts	25.6 Watts	77 Watts	15.4 Watts
Amp Draw at 13.4 volts	400 mA	2000 mA	6000 mA	1200 mA
Lumens Output	300 Lumens	1500 Lumens	5400 Lumens	1080 Lumens

Voltage Range	10-15V
Current Type	DC (Direct Current)
Colour Temperature	6000-6500K (Cool White)
Protection	(Fully) Sealed against dust and moisture to IP68
Dimmable	Yes

Also available in

- RGB 0045615F (5M)
- Blue 0043615B (5M)
- Warm White 0043615W (5M)
- 0045611F (1M) LED Type 5050
- 0043611B (1M) LED Type 2835
- 0043611W (1M) LED Type 2835



DOT-FREE WATERPROOF RATE - IP65

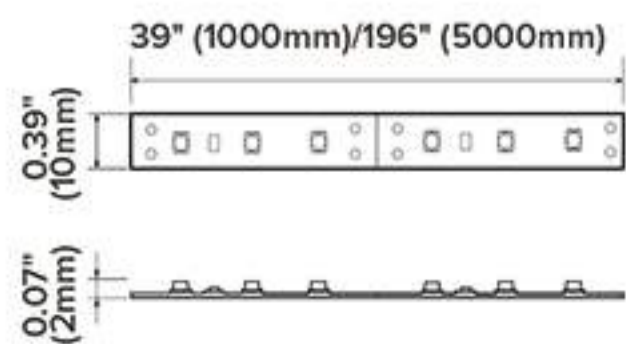
Part Number	0033715C
Primary Colour	<input type="radio"/> Cool White
Length	5000mm
Power Consumption	48 Watts
Amp Draw at 13.4 volts	3600 mA
Voltage Range	10-15V
Current Type	DC (Direct Current)
Protection	Sealed against dust and moisture to IP65
Colour Temperature	6000-6500K (Cool White)
Dimmable	Yes

Also available in

- Blue 0033715B (5M)



P.N. 0055611C



NON-WATERPROOF - IP22

LED Type	2835	2835	5050	5050
Part Number / Primary Colour	0053611C <input type="radio"/> Cool White	0053615C <input type="radio"/> Cool White	0055611C <input type="radio"/> Cool White	0055615C <input type="radio"/> Cool White
Length	1000mm	5000mm	1000mm	5000mm
Power Consumption	5.1 Watt	25.6 Watt	15.4 Watts	77 Watt
Amp Draw at 13.4 volts	400 mA	2000 mA	1200 mA	6000 mA
Lumens Output (cool white)	300 Lumens	5400 Lumens	1080 Lumens	5400 Lumens

Voltage Range	10-15V
Current Type	DC (Direct Current)
Protection	Sealed against dust and moisture to IP22
Colour Temperature	6000-6500K (Cool White) 2800-3200K (Warm White)
Dimmable	Yes

Also available in

- Blue 0053811B (1M) 0053815B (5M)
- RGB 0055611F (1M) 0055615F (5M)

LED ASSIST HANDLE LIGHT

LED INDICATOR HANDLE LIGHT

Features

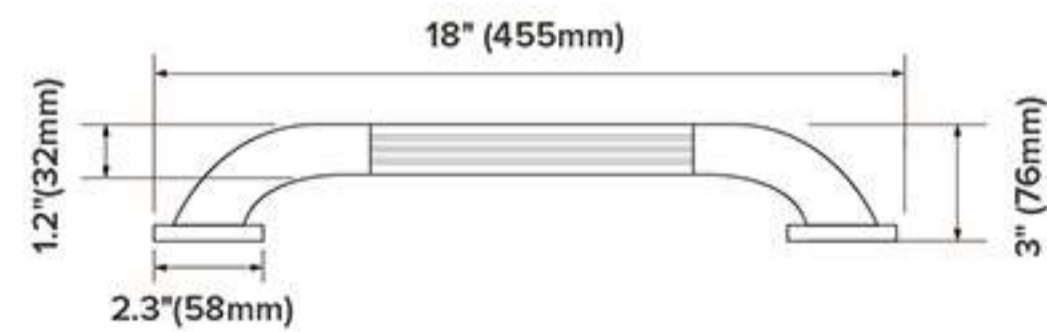
This Stylish Polished Stainless Steel Assist Handle Light is ideal to be used on a door, porch and as a courtesy entry light in caravans and marine applications. Equipped with an acrylic striped handle and inbuilt LED chips, it combines the function of entry handle with illumination amazingly. The blue light provides amazing decor and indicated lighting without glaring into your eyes. Its complete sealed circuit board as well as a good heat sink design will guarantee its long life even in an exterior application. It is resistant to salt spray testing, so is suited for the marine environment.



P.N. 0061241B

P.N. 0061245B

Part Number	0061241B	0061245B
Shell Colour	● Silver	● Black
Voltage Range	10-15 volts	
Current Type	DC (Direct Current)	
Primary Colour	● Blue	
Amp Draw	90mA	
Power Consumption	1.1 Watts	
Lens Material	Acrylic	
Metal Material	Stainless steel	
Mounting	Surface Mount	
Dimmable	No	



P.N. 0061011

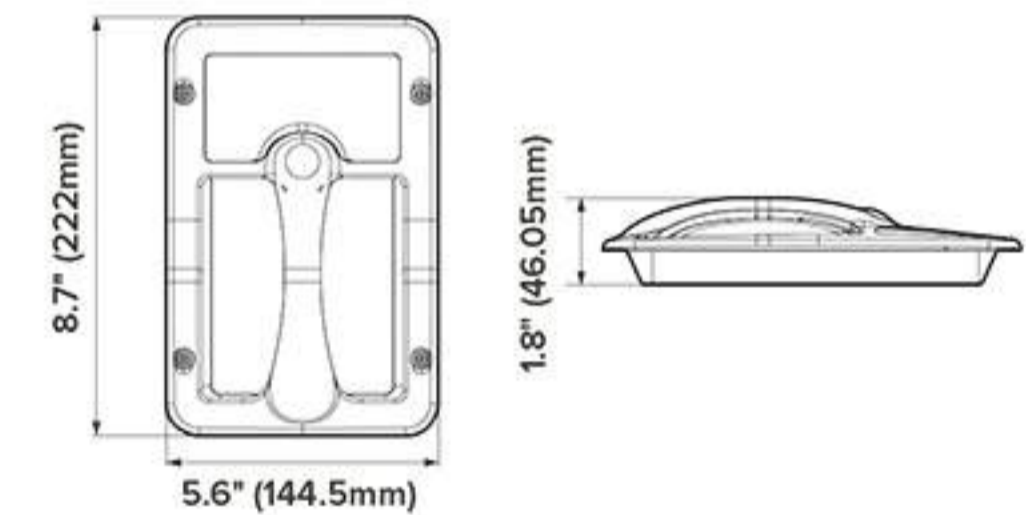


P.N. 0061013



P.N. 0061015

Part Number	0061011	0061013	0061015
Shell Colour	● Silver	○ White	● Black
Voltage Range	10-15 volts		
Current Type	DC (Direct Current)		
Primary Colour	○ Cool White		
Secondary Colour	● Blue		
Amp Draw	180mA		
Power Consumption	2.4 Watts		
Lumens Output	210		
Lens Material	PC		
Metal Material	Metal		
Mounting	Recessed Mount		



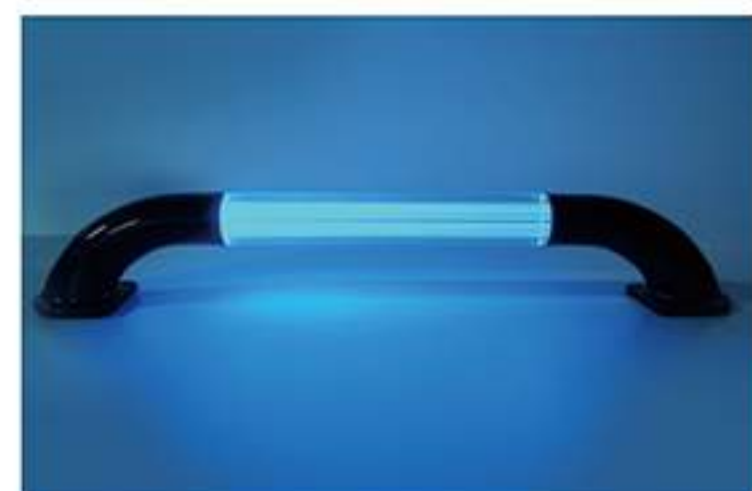
Button switch to adjust the light into blue indicator light and cool white light



Blue indicator light



210 lumens cool white light



Clear acrylic lens and soft blue indicator lighting.



Easy installation



All the circuit board is completely sealed by epoxy to prevent water and dust ingress.

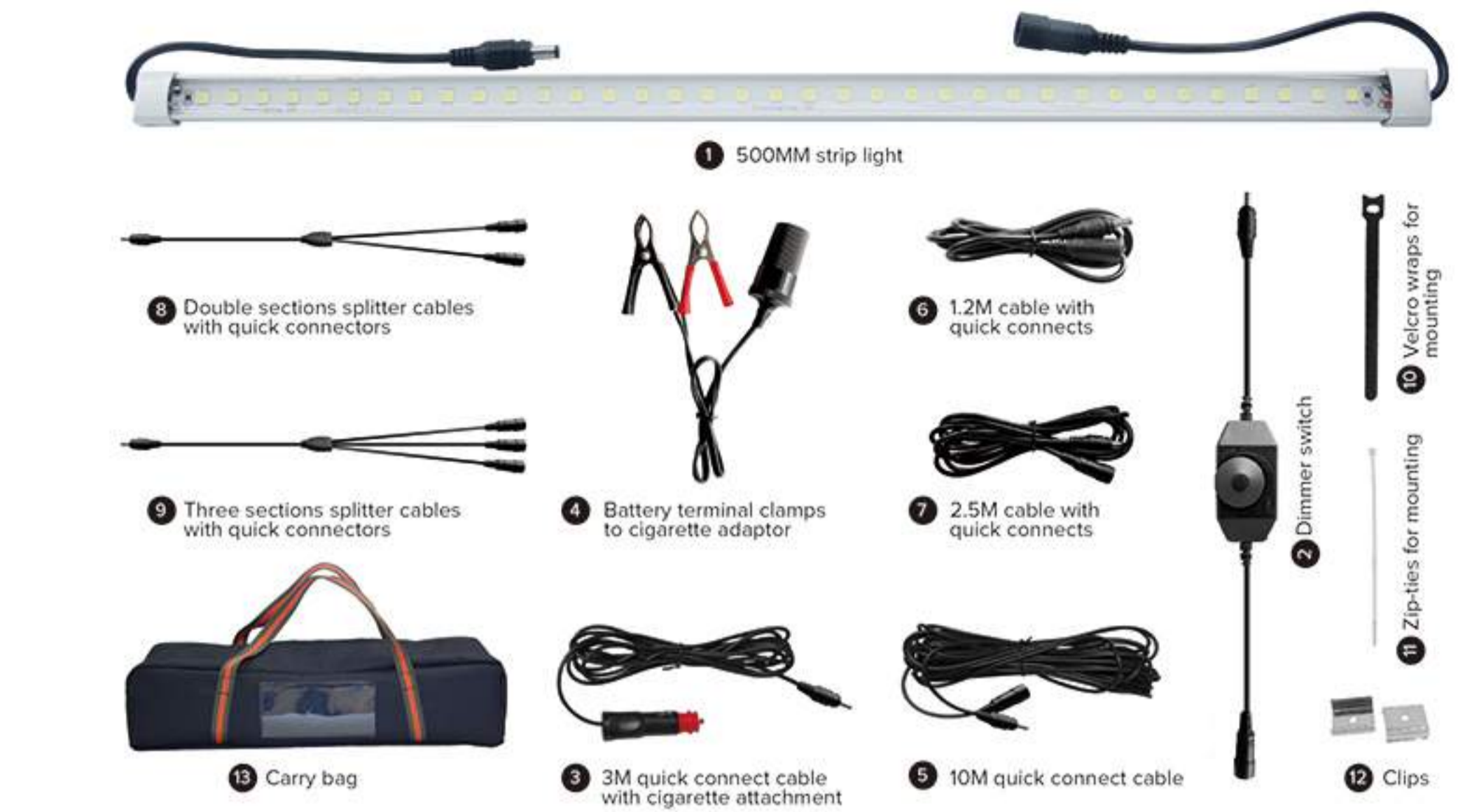
LED JOINABLE CAMPING KITS



Features

The Waterproof Joinable LED Strip Light is a compact and versatile high intensity LED piece of camping equipment which is suitable for anywhere a light is needed, especially, camping, outdoors, caravans and vehicles. It is designed with a completely sealed circuit board construction, and the waterproof joint is a plus to ensure it is sealed and watertight when more than one piece is connected by using the splitter lead.

A dimmer switch is included to adjust the brightness for your desired level of brightness. The cigarette connector with a 3m cable allows for flexible power charging in outdoor environments. You can also add a 10m cable in your light package when there is a long distance required to reach the power source.

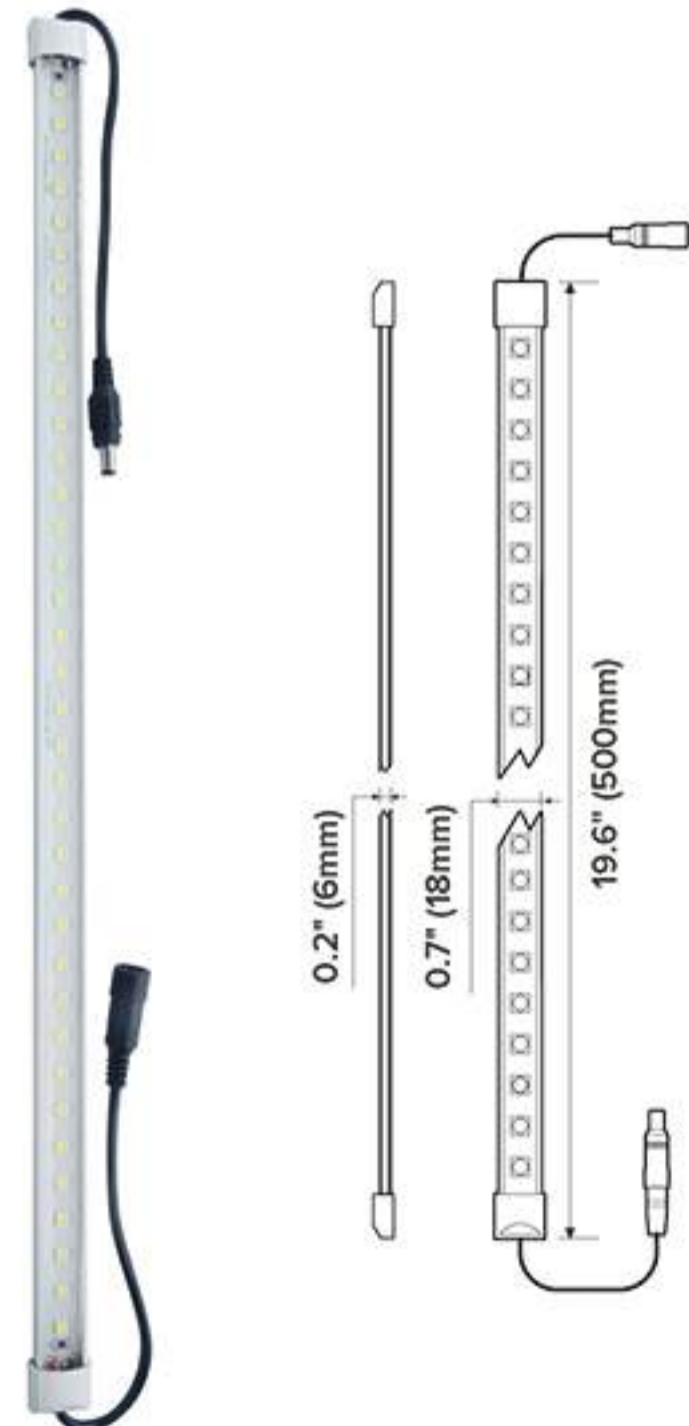


	4 Bar Kit Contains (0013696C)	3 Bar Kit Contains (0013686C)	2 Bar Kit Contains (0013676C)	1 Bar Kit Contains (0013666C)
1 500MM strip light	4	3	2	1
2 Dimmer switch	3	1	1	0
3 3M quick connect cable with cigarette attachment	1	1	1	1
4 Battery terminal clamps to cigarette adaptor	1	1	1	0
5 10M quick connect cable	1	1	1	0
6 1.2M cable with quick connects	3	1	1	0
7 2.5M cable with quick connects	1	1	1	0
8 Double sections splitter cables with quick connectors	2	1	0	0
9 Three sections splitter cables with quick connectors	1	1	0	0
10 Velcro wraps for mounting	10	8	6	2
11 Zip-ties for mounting	10	8	6	4
12 Clips	8	6	4	2
13 Carry bag	1	1	1	0
Total weight	1605g	1303g	1265g	223g

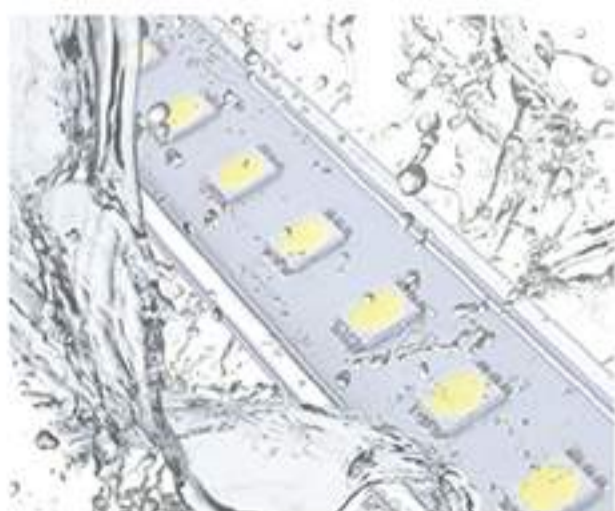
500MM

Part Number	0013656C	0013656W	0013656O	0013656G
Primary Colour	Cool white	Warm white	Amber	Green
Lumens Output	500 lm	450 lm	/	/

Voltage Range	10-15 volts
Current Type	DC (Direct Current)
Amp Draw at 13.4 volts	580mA
Power Consumption	7.8 Watts
Protection	(Fully)Sealed against dust and moisture to IP66
Lens Material	Silicon
Colour Temperature	7500-8000K (Cool White) 2800-3200K (Warm White)
Base Material	Coated aluminum
Mounting	Surface mount
Dimmable	Yes



P.N. 0013656



Waterproof rating: IP66



Waterproof Connectors



LED bar strip light can be connected side by side or end to end to suit all of your lighting requirements

OUTDOOR& CAMPING LIGHT

OUTDOOR& CAMPING LIGHT

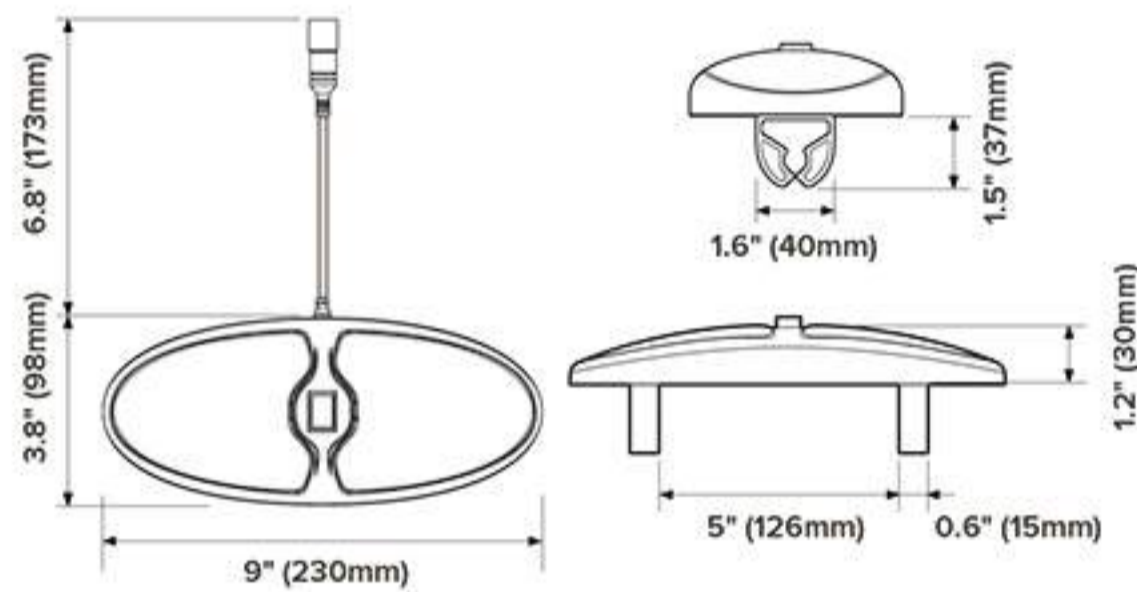
CAMPING LIGHT



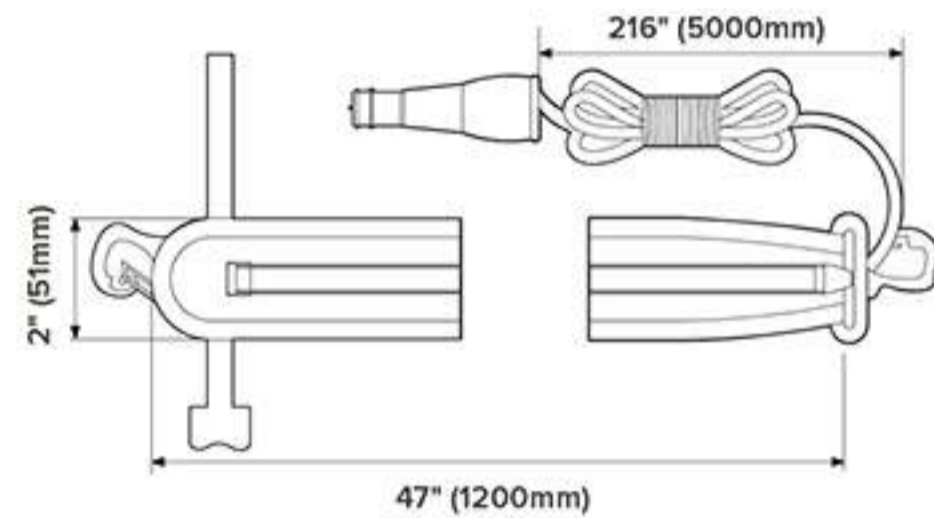
Features

Considering your every aspect on camping illumination needs, we introduce this camping light series. All of them are equipped with a cigarette connector with a long cable which allows for flexible power charging in exterior environments. 45699W and 45899D mode share the following advantage. A dimming mechanism inbuilt changes different brightness levels. Velcro wraps and hooks at either end are designed for flexible installation in a tent, awning or anywhere else it may be needed.

0045899D and 0016045CA-WP-Kit have added amber lighting phase which frees outdoor lovers from being disturbed by any bugs or insects.



P.N. 0016045CA-WP-CAM



P.N. 0045699W/0045899D



P.N. 0016045CA-WP-CAM



Compact and attachable design



Amber Keep insects away



Cool white

DUAL COLOUR CLIP-ON LIGHT KIT WITH CIGARETTE CONNECTOR

Part Number	0016045CA-WP-CAM
Primary Colour	○ Cool white
Secondary Colour	● Amber
Shell Colour	○ White
Voltage Range	10-15 volts
Current Type	DC (Direct Current)
Amp Draw at 13.4 volts	580mA
Power Consumption	7.8 Watts
Protection	Sealed against dust and moisture to IP55
Lumens Output	610 lm
Lens Material	PC
Colour Temperature	6000-6500K (Cool White)
Base Material	PC
Mounting	Clip on



5.5M cable Velcro wraps for mounting Hooks at ends Cable with cigarette adaptor

SINGLE COLOUR (3-PHASE BRIGHTNESS)

Part Number	0045699W
Primary Colour	○ Cool white
Voltage Range	10-15 volts
Current Type	DC (Direct Current)
Amp Draw at 13.4 volts	330/670/1000mA
Power Consumption	4.4/9/13.4 Watts
Protection	Sealed against dust and moisture to IP44
Lumens Output	300/500/1080 lm
Colour Temperature	6000-6500K (Cool White)
Mounting	Velcro
Dimmable	Three phases brightness



5.5M cable Programmed dimmer switch Hooks at ends Cable with cigarette adaptor

DUAL COLOUR

Part Number	0045899D
Primary Colour	○ Cool white
Secondary Colour	● Amber
Voltage Range	10-15 volts
Current Type	DC (Direct Current)
Amp Draw at 13.4 volts	330/730/1000mA
Power Consumption	4/9.8/13.4 Watts
Protection	Sealed against dust and moisture to IP44
Lumens Output	300/750/1000 lm
Colour Temperature	6000-6500K (Cool White)
Mounting	Velcro
Dimmable	Rotated Dimmer



Cigarette connector For your flexible power charge



Velcro straps for easy mounting



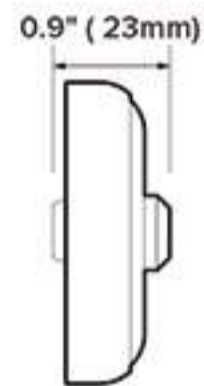
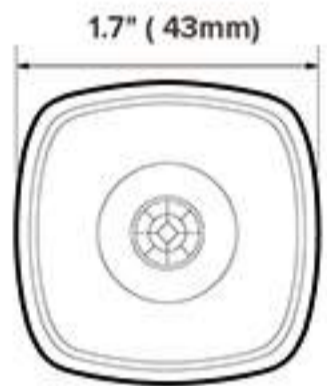
Dual color flex camping kit to minimise disturbance from bugs



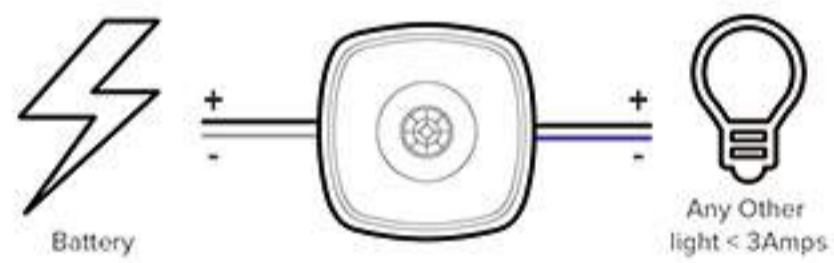
P.N. 7012005-Sensor



P.N. 7012006-Sensor



Wire connection instructions (use as a switch)



Sensor Switch with LED Light

Features

This mini sensor switch is equipped with a combination of advanced sensor technology. When powered, the light will automatically turn ON whilst the IR sensor is activated. It comes with 4 wires, it not only acts as a sensor light for stairs and courtyards but also a sensor switch to control other lights. An excellent waterproof performance, for a 12 Volt exterior application.

Part Number	○ White Shell	7012005B-Sensor	● Blue
		7012005C-Sensor	○ Cool white
		7012005W-Sensor	● Warm white
● Black Shell		7012006B-Sensor	● Blue
		7012006C-Sensor	○ Cool white
		7012006W-Sensor	● Warm white

Voltage Range	10-15V
Current Type	DC (Direct Current)
Amp Draw	20mA
Power Consumption	0.24 Watts
Material	PC
Colour Temperature	6000-6500K (Cool White) 2800-3200K (Warm White)
Mounting	Surface Mount
Dimmable	Yes



Stylish USB Portal Charger

Features

This mini USB portal has two outlets and provides fast and convenient charging. It is designed with a 360 degrees horizontal sliding cover to prevent dust and ensure safe use. It also avoids accidental touching the portal when not charging. It is easy to install with a surface mount structure.



P.N. 7014001BK

PART NO.	SHELL COLOUR	INPUT VOLTAGE RANGE	OUTPUT VOLTAGE	OUTPUT CURRENT
7014001BK	BLACK	12-15V DC	5V DC	1A+2.1A
7014001WH	WHITE	12-15V DC	5V DC	1A+2.1A

DIMMER with remote controller



P.N. 7013001

Features

- Mostly used for LED Strip Light brightness level adjustment
- A remote controller included
- More buttons for choosing different scale of brightness



P.N. 7012002

Features

- For RGB strip light color changing remote control.
- Input voltage: DC 12V
- Max load current: 6A
- Infrared receiver to receive signal, public poles as connectors
- 16 Colour buttons, and 4 phases transition function

PART NO.	DIMENSIONS(mm)	INPUT VOLTAGE	OUTPUT VOLTAGE	MAXLOAD CURRENT	WEIGHT(g)
7013301	L87*W87*H53	12V DC	/	8A	172
7012002	L85*W52*H41	12V DC	/	6A	61

DC 12V Constant Voltage LED Power Supply Driver



P.N. 7011011

P.N. 7011013



P.N. 7011204



P.N. 7011208

Outdoor/waterproof

Indoor/non-waterproof

PART NO.	DIMENSIONS(mm)	INPUT VOLTAGE	OUTPUT VOLTAGE	MAXLOAD CURRENT	WEIGHT(g)
7011011	L180*W30*H20	240V	12V DC	2.5A	215
7011013	L220*W73*H43	240V	12V DC	12.5A	1270
7011204	L8.4*W4.6*H2.9	240V	12V DC	3A	179.5
7011208	L12*W5*H3	240V	12V DC	6A	275