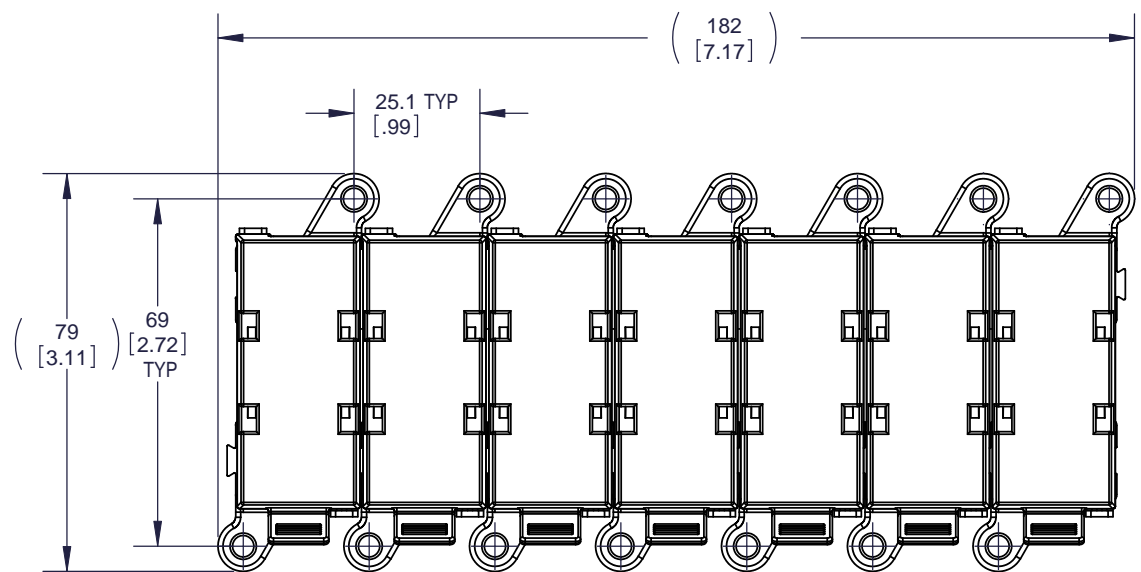


REV.	DESCRIPTION	DATE	APPR.
X1	INITIAL RELEASED	01-13 2010	
0	RELEASED TO PRODUCTION ECN: BU-U10035	02-02 2010	

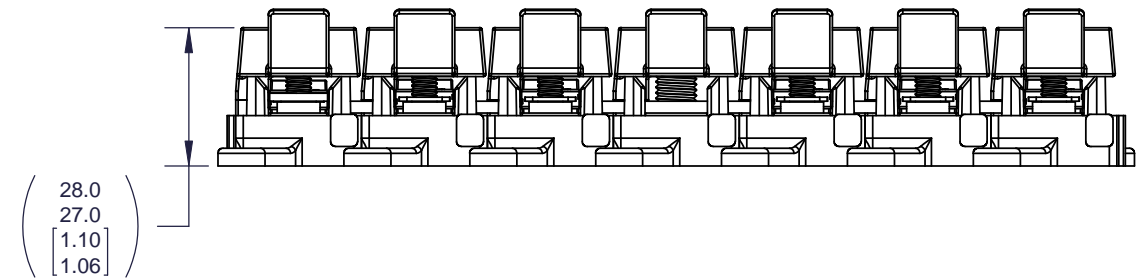
LMI X -X -X -XXXXXXX



ITEM	DESCRIPTION
1	LMI FUSE MODULE
2	LMI INPUT MODULE
3	BUSBAR
4	AMI FUSE

UP TO 7 DIGIT SEQUENCE REPRESENTING EACH MODULE IN ASSEMBLY, FROM LEFT TO RIGHT, WITH BUSBAR IN THE TOP/ BACK, USES BELOW CODE: OMITTED FROM P/N IF NOT USE

- 0 -- FUSE MODULE W/O FUSE (i.e. EMPTY FUSE MODULE)
- 1 -- INPUT MODULE
- A -- FUSE MODULE W/30A AMI FUSE
- B -- FUSE MODULE W/40A AMI FUSE
- C -- FUSE MODULE W/50A AMI FUSE
- D -- FUSE MODULE W/60A AMI FUSE
- F -- FUSE MODULE W/70A AMI FUSE
- G -- FUSE MODULE W/80A AMI FUSE
- H -- FUSE MODULE W/100A AMI FUSE
- I -- FUSE MODULE W/125A AMI FUSE
- J -- FUSE MODULE W/150A AMI FUSE
- K -- FUSE MODULE W/175A AMI FUSE
- L -- FUSE MODULE W/200A AMI FUSE

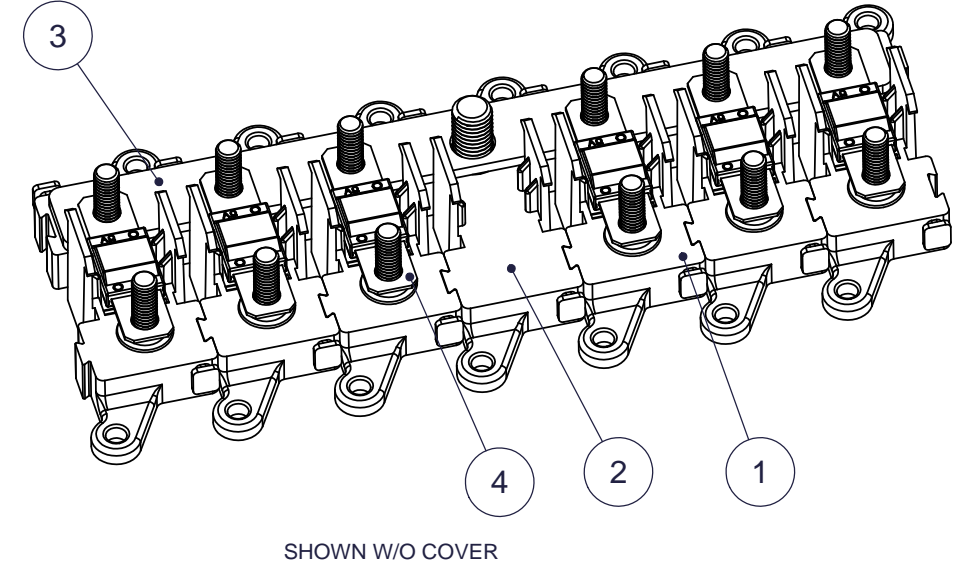


- SPECIFICATIONS:**
- HOLDER BASE: UL 94-V0 THERMOPLASTIC
 - COVER: SANTOPRENE, UL94-V0
 - STUD: LMI FUSE MODULE -- M5X0.80, 10-24, SS
LMI INPUT MODULE -- M8X1.25, 5/16-18, SS
 - MOUNTING HOLE: M4
 - TORQUE: M5, 10-24 STUD: 4.5N.M (39.8IN-LBS)
M8, 5/16-18 STUD: 8.5N.M (75IN-LBS)
MOUNTING: 2.0N.M (17.7IN-LBS)

- HARDWARE OPTION:**
- 0 -- NO HARDWARE (FOR INDIVIDUAL COMPONENTS ONLY)
 - 1 -- SS KEPS NUT IN BULK (FOR INDIVIDUAL COMPONENTS ONLY)
 - 2 -- SS KEPS NUT INSTALLED (FOR ALL UNITS, REQUIRED FOR LMI2 OR GREATER)

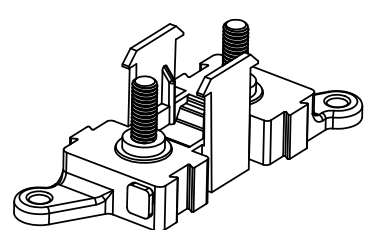
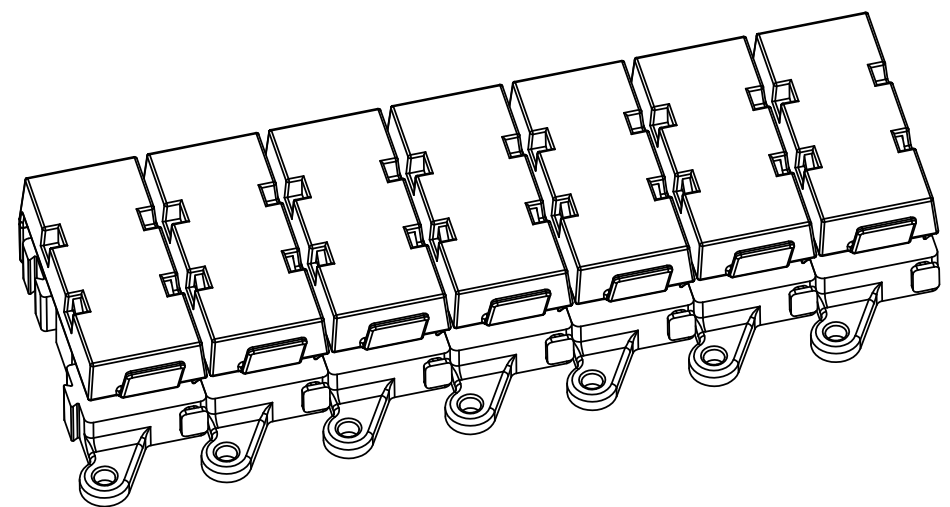
- STUD OPTION:**
- E -- ENGLISH
 - M -- METRIC

1 - 7 [NUMBER OF TOTAL MODULES (FUSE MODULES AND/OR INPUT MODULES); 7 MAX]

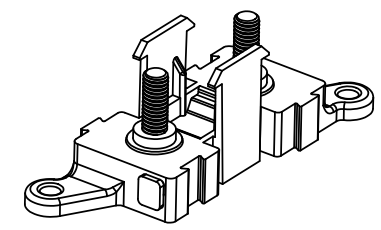


- NOTES:**
- ALL MODULES (INPUT OR FUSE HOLDER) WILL MATCH SAME UNITS IN A GIVEN ASSEMBLY, EITHER ALL METRIC OR ALL ENGLISH AS SPECIFIED.
 - "E" REPRESENTS "10-24" SIZE FOR FUSE MODULE AND "5/16-18" FOR INPUT MODULE. "M" REPRESENTS M5 SIZE FOR FUSE MODULE AND M8X1.25 SIZE FOR INPUT MODULE.
 - THE LARGEST AN LMI SHALL BE IS 7 MODULES TOTAL, 6 FUSE MODULES AND ONE INPUT MODULE. AT MOST, 7 POSITIONS CAN BE SHOWN IN SUFFIX -XXXXXXX.
 - COOPER BUSSMANN DOES NOT RECOMMEND MORE THAN 6 FUSE MODULES BEING CONNECTED TOGETHER (WITH ONE INPUT MODULE). THE INPUT MODULE SHOULD BE LOCATED IN THE CENTER OF THE ASSEMBLY.
 - BUSBARS ARE INCLUDED FOR ALL ASSEMBLIES GREATER THAN OR EQUAL TO AN LMI2.
 - BASED ON NUMEROUS VARIATIONS POSSIBLE BETWEEN NUMBERS OF POLES USED, FUSES SELECTED, INPUT WIRING, AND OUTPUT WIRING, ALL APPLICATIONS SHOULD BE TESTED BY INSTALLER TO VERIFY THE PRODUCT MEETS THEIR EXPECTATIONS.
 - ALL MODULES COME WITH COVERS.
 - ATTACH ALL WIRE CABLES WITH THE RING TERMINALS IN DIRECT CONTACT WITH THE FUSE OR BUSBAR.
 - WHEN ORDERING INDIVIDUAL LMI MODULES FOR ASSEMBLY BY THE CUSTOMER, BUSBARS CAN BE INDIVIDUALLY ORDERED USING PART # B109-7046-2/3/4/5/6/7, WITH THE LAST DIGIT REPRESENTING THE NUMBER OF TOTAL MODULES THAT THE BUSBAR WILL CONNECT.
 - WHEN ORDERING LMI1 WITH FUSE, FUSE WILL SHIP IN BULK.
 - TO ORDER ASSEMBLED UNITS, THE MIN. ORDER QTY. IS 10 UNITS.

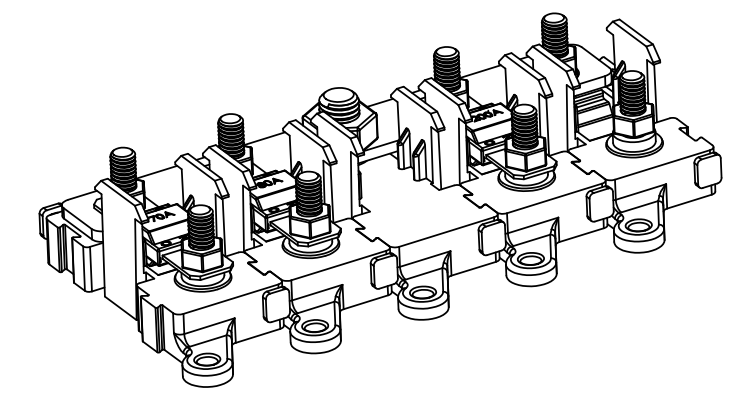
EXAMPLE:



P/N: LMI1-E-1-0
(ENGLISH STUDS, HARDWARE IN BULK,
NO FUSE & COVER NOT SHOWN)



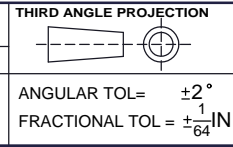
P/N: LMI1-M-0-C
(METRIC STUDS, NO
HARDWARE, 50A FUSE IN BULK,
COVER NOT SHOWN)



P/N: LMI5-E-2-FG1L0
(ENGLISH STUD, HARDWARE INSTALLED
WITH BUSBAR, COVER NOT SHOWN)

TOLERANCES UNLESS OTHERWISE SPECIFIED

METRIC (mm)	ENGLISH (in)
1 PL DEC. = ±.25	2 PL DEC. = ±.01
2 PL DEC. = ±.13	3 PL DEC. = ±.005



Plant Code: 56
Design Units
Metric (English)

For change history please consult the Bussmann Engineering Change Notice number listed below.
U10XXX

TITLE
LMI FUSE HOLDER ASSEMBLY
SHEET 1 OF 1

DATE: 01/13/2010
DRAWN BY: JGU
PART NO.: **LMI-X-XXXXXXX-SALES**
SCALE: 2:3
REVISION VERSION: X1.0
Ref. Name: LMI-X-X-XXXXXXX-SALES_0
CBT C-Size