

Heavy Duty On-Off 600A Battery Switch W/AFD

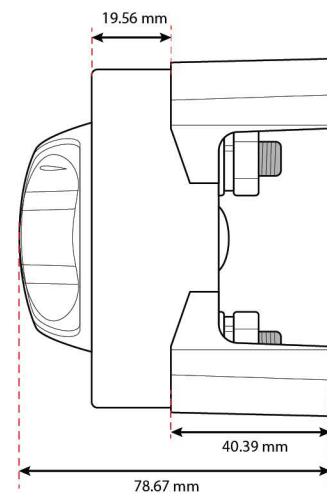
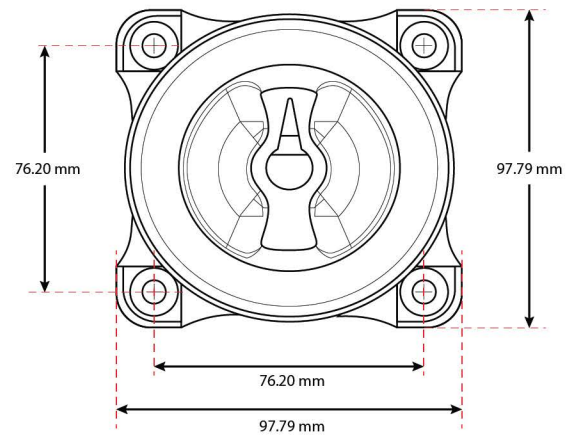
AS326001AB



Product Properties

Terminal Stud Size	M12 (1/2")
Cable Size	4/0 AWG (120mm ²)
Cable Clearance	27.9mm (1.10")
Mounting Holes	Accept 1/4 (M6) Screw
Terminal Stud Material	Tin-Plated Copper
Terminal Stud Torque	220 in-lb (24.86N-m)
Colour	Black

Product Dimensions



Features

Switch Type	Single Circuit On-Off
Battery Inputs	1
Switch Positions	2
Battery Combine	No
Maximum Voltage	32V DC
Continuous Rating	600A
Intermittent Rating	900A
Cranking Rating	1750A

Suitable for:

