

Manual

EN

Handleiding

NL

Manuel

FR

Anleitung

DE

Manual

ES

Manuale

IT

LiFePO₄ Battery Smart

1 Safety guidelines and measures

1.1 General rules



Observe these instructions and keep them located near the Li-ion Battery for future reference. Work on the Li-ion Battery should be carried out by qualified personnel only.



While working on the Li-ion Battery wear protective eye-glasses and clothing.



Any uncovered battery material such as electrolyte or powder on the skin or in the eyes must be flushed with plenty of clean water immediately. Then seek medical assistance. Spillages on clothing should be rinsed out with water.



Explosion and fire hazard. Terminals of the Li-ion Battery are always a live; therefore do not place items or tools on the Li-ion Battery. Avoid short circuits, too deep discharges and too high charge currents. Use insulated tools. Do not wear any metallic items such as watches, bracelets, et cetera. In case of fire, you must use a type D, foam or CO2 fire extinguisher.



Never try to open or dismantle the Li-ion Battery. Electrolyte is very corrosive. In normal working conditions contact with the electrolyte is impossible. If the battery casing is damaged do not touch the exposed electrolyte or powder because it is corrosive.



Too deep discharges damage the Li-ion battery seriously and can even be dangerous. Therefore, use of an external safety relay is obligatory.



Li-ion Batteries are heavy. If involved in an accident they can become a projectile! Ensure adequate and secure mounting and always use suitable handling equipment for transportation. Handle with care because Li-ion Batteries are sensitive to mechanical shock.



If charged after the Li-ion battery was discharged below the Discharge cut-off voltage, or when the Li-ion battery is damaged or overcharged, the Li-ion battery can release a harmful mixture of gasses such as phosphate.

Non-compliance with operating instructions, repairs made with other than original parts, or repairs made without authorization render the warranty void.

1.2 Transportation warnings

The Li-ion battery must be transported in its original or equivalent package and in an upright position. If the battery is in its package, use soft slings to avoid damage. Do not stand below a Li-ion battery when it is hoisted. Never lift the battery at the terminals, only lift the battery at the handles.



Batteries are tested according to UN Handbook of Tests and Criteria, part III, sub section 38.3 (ST/SG/AC.10/11/Rev.5). For transport the batteries belong to the category UN3480, Class 9, Packaging Group II and have to be transported according to this regulation. This means that for land and sea transport (ADR, RID & IMDG) they have to be packed according to packaging instruction P903 and for air transport (IATA) according to packaging instruction P965. The original packaging satisfies these instructions.

1.3 Disposal of Li-ion batteries

Batteries marked with the recycling symbol must be processed via a recognized recycling agency. By agreement, they may be returned to the manufacturer. Batteries must not be mixed with domestic or industrial waste.



Non-spillable

2 General information about Lithium iron phosphate batteries

Lithium iron phosphate (LiFePO₄ or LFP) is the safest of the mainstream li-ion battery types. The nominal voltage of a LFP cell is 3,2V (lead-acid: 2V/cell). A 12,8V LFP battery therefore consists of 4 cells connected in series; and a 25,6V battery consists of 8 cells connected in series.

2.1 Rugged

A lead-acid battery will fail prematurely due to sulfation if:

- it operates in deficit mode during long periods of time (i. e. if the battery is rarely, or never at all, fully charged).
- it is left partially charged or worse, fully discharged.

A LFP battery does not need to be fully charged. This is a major advantage of LFP compared to lead-acid.

Other advantages are the wide operating temperature range, excellent cycling performance, low internal resistance and high efficiency (see below).

LFP is therefore the chemistry of choice for very demanding applications.

2.2 Efficient

In several applications (especially off-grid solar and/or wind), energy efficiency can be of crucial importance.

The round trip energy efficiency (discharge from 100% to 0% and back to 100% charged) of the average lead-acid battery is 80%.

The round trip energy efficiency of a LFP battery is 92%.

The charge process of lead-acid batteries becomes particularly inefficient when the 80% state of charge has been reached, resulting in efficiencies of 50% or even less in solar systems where several days of reserve energy is required (battery operating in 70% to 100% charged state).

In contrast, a LFP battery will still achieve 90% efficiency under shallow discharge conditions.

2.3 Size and weight

Saves up to 70% in space

Saves up to 70% in weight

2.4 Endless flexibility

LFP batteries are easier to charge than lead-acid batteries. The charge voltage may vary from 14V to 15V resp. 28V to 30V (as long as no cell is subjected to more than 4,2V), and they do not need to be fully charged.

Therefore several batteries can be connected in parallel and no damage will occur if some batteries are less charged than others.

2.5 Why a Battery Management System is essential

Important facts:

1. A LFP cell will fail if the voltage over the cell falls to less than 2,5V (note: recovery by charging with a low current, less than 0,1C, is sometimes possible).
2. A LFP cell will fail if the voltage over the cell increases to more than 4,2V.
3. The cells of a LFP battery do not auto-balance at the end of the charge cycle.

The cells in a battery are not 100% identical. Therefore, when cycled, some cells will be fully charged or discharged earlier than others. The differences will increase if the cells are not balanced/equalized from time to time.

In a lead-acid battery a small current will continue to flow even after one or more cells are fully charged (the main effect of this current is decomposition of water into hydrogen and oxygen). This current helps to fully charge other cells that are lagging behind, thus equalizing the charge state of all cells.

The current through a LFP cell however, when fully charged, is nearly zero, and lagging cells will therefore not be fully charged. Over time the differences between cells may become so extreme that, even though the overall battery voltage is within limits, some cells will fail due to over or under voltage. Active cell balancing is built-in in all our LFP batteries.

The additional functions of a BMS are:

- Prevent cell under voltage by timely disconnecting the load.
- Prevent cell over voltage by reducing charge current or stopping the charge process.
- Shut down the system in case of over temperature.
- Stop charging the battery in case of under temperature

A BMS is therefore indispensable to prevent damage to Li-ion batteries.

Important warning

Li-ion batteries are expensive and can be damaged due to over discharge or over charge.

Damage due to over discharge can occur if small loads (such as: alarm systems, relays, standby current of certain loads, back current drain of battery chargers or charge regulators) slowly discharge the battery when the system is not in use.

In case of any doubt about possible residual current draw, isolate the battery by opening the battery switch, pulling the battery fuse(s) or disconnecting the battery plus when the system is not in use.



A residual discharge current is especially dangerous if the system has been discharged completely and a low cell voltage shutdown has occurred. After shutdown due to low cell voltage, a capacity reserve of approximately 1Ah per 100Ah battery capacity is left in the battery. The battery will be damaged if the remaining capacity reserve is drawn from the battery. A residual current of 10mA for example may damage a 200Ah battery if the system is left in discharged state during more than 8 days.

3 Installation

Note: Batteries must always be installed in upright position.

Maximum torque

LiFePO4 Battery 12,8V/60Ah Smart: 10 Nm (M6)

LiFePO4 Battery 12,8V/90Ah Smart: 14 Nm (M8)

LiFePO4 Battery 12,8V/100Ah Smart: 10 Nm (M6)

LiFePO4 Battery 12,8V/150Ah Smart: 10 Nm (M6)

LiFePO4 Battery 12,8V/160Ah Smart: 14 Nm (M8)

LiFePO4 Battery 12,8V/200Ah Smart: 40 Nm (M12)

LiFePO4 Battery 12,8V/300Ah Smart: 40 Nm (M12)

LiFePO4 battery 25,6V/200Ah Smart: 14 Nm (M8)

3.1 Short circuit protection

Single battery installation

The battery must be protected by a fuse.

The battery must be connected to a BMS.

Series connection

Up to four 12,8V batteries or up to two 25,6V batteries can be series connected.

The batteries must be connected to a BMS.

The string of batteries must be protected by a fuse.

Parallel or series parallel connection

Up to five batteries or strings of batteries can be parallel connected.

The batteries must be connected to a BMS.

Each battery or string of batteries must be protected by a fuse, see figure 1.

Do not interconnect the intermediate battery to battery connections of two or more parallel strings of batteries.

3.2 Charging batteries before use

The batteries are approximately 50% charged when shipped.

When charging series connected batteries, the voltage of the batteries or cells with the highest initial state of charge will increase when reaching the fully charged state, while other batteries or cells may lag behind. This may result in over voltage on the batteries or cells with the highest initial state of charge, and the charge process will be interrupted by the BMS.

Therefore new batteries must be fully charged before using them in a series or series-parallel configuration.

This can best be done by individually charging the batteries at a low rate (C/20 or less) with a charger or power supply set at 14,2V resp. 28,4V. An absorption period of several hours at 14,2V resp. 28,4V is recommended to fully balance the cells.

If no BMS is used, charge only when a supervisor is present to stop the charging process in case of malfunction of a battery.

Parallel connecting the batteries and simultaneous charging is also possible. In this case every battery must be protected by a fuse and the recommended charge rate is again C/20 or less, with C being the capacity of one of the paralleled batteries.

4 Operation

4.1 Cell balancing and alarms

Each 12,8V battery consists of four series connected cells, and the internal cell balancing system will:

- a) Measure the voltage of each cell and move Ah from cells with the highest voltage to cells with a lower voltage until the voltage difference between cells is less than 10mV (active balancing).
- b) Give an over voltage (cell voltage > 3,75V) or under voltage (cell voltage < 2,80V) alarm to be processed by the BMS (See 4.3).
- c) Give an over temperature ($T > 75^{\circ}\text{C}$) alarm to be processed by the BMS.
- d) Give a low temperature ($T < 5^{\circ}\text{C}$) alarm to be processed by the BMS (See 4.4).

Note:

The cells within a battery or series connected batteries may become unbalanced due to high discharge currents and short float charge periods. The available battery capacity will be reduced, and a cell overvoltage alarm may occur.

Apply the procedures as described in section 3.2 to fully charge and balance the batteries.



4.2 Charge voltage

Recommended charge voltage: 14V-14,4V per battery (14,2V recommended), respectively 28V-28,8V (28,4V recommended).

Absorption time: 2 hrs for a 100% charge, or a few minutes for a 98% charge.

Maximum charge voltage: 14,4V resp. 28,8V per battery.

Recommended storage/float voltage: 13,5V resp. 27V per battery.

Batteries must be regularly (at least once every month) charged to 14V (max. 14,4V) in order to fully balance the cells. Two or four batteries in series should be charged regularly to 28V resp. 56V.

4.3 Allowed-To-Discharge cell voltage

The threshold below which discharging the battery is disallowed is 2,8V by default, and is configurable in the VictronConnect app (range 2,6V to 2,8V).

4.4 Allowed-To-Charge minimum temperature

The threshold below which a lowtemperature alarm is raised is 5°C by default, and is configurable in the VictronConnect app (range -20°C to +20°C).

Warning: setting this temperature below 5°C voids the warranty. Charging a lithium iron phosphate battery below 5°C permanently damages the chemistry; reducing capacity.

4.5 Battery temperature offset

The battery temperature is used to trigger the temperature alarms, and is displayed in the VictronConnect app. In order to improve the accuracy of the temperature measurement, it is internally calibrated after the battery has been idle (no balancing occurred) during 4hours.

The result of this calibration is a battery temperature offset, which is available as a user setting in the VictronConnect app (range -10°C to +10°C). This allows for manual correction of the battery temperature as well, if need be.

~~By default, no battery temperature offset is defined and an auto-calibration procedure is started. If the temperature offset is set by the user while an auto-calibration is in progress, the auto-calibration will get aborted. The value set by the user will be effective. The same is true after a settings reset.~~

4.6 Battery Management System (BMS)

Two BMS's are available to process the information from the batteries.

4.6.1 BMS 12/200

The BMS 12/200 is a simple all-in-one solution intended for 12V systems only. It includes all functions as described under section 4.1, plus an alternator current limiter.

For details, please see the datasheet and manual on our website.

4.6.2 VE.Bus BMS

This BMS is suitable for 12, 24 and 48V systems.

For details and installation examples, please see the datasheet and manual on our website.

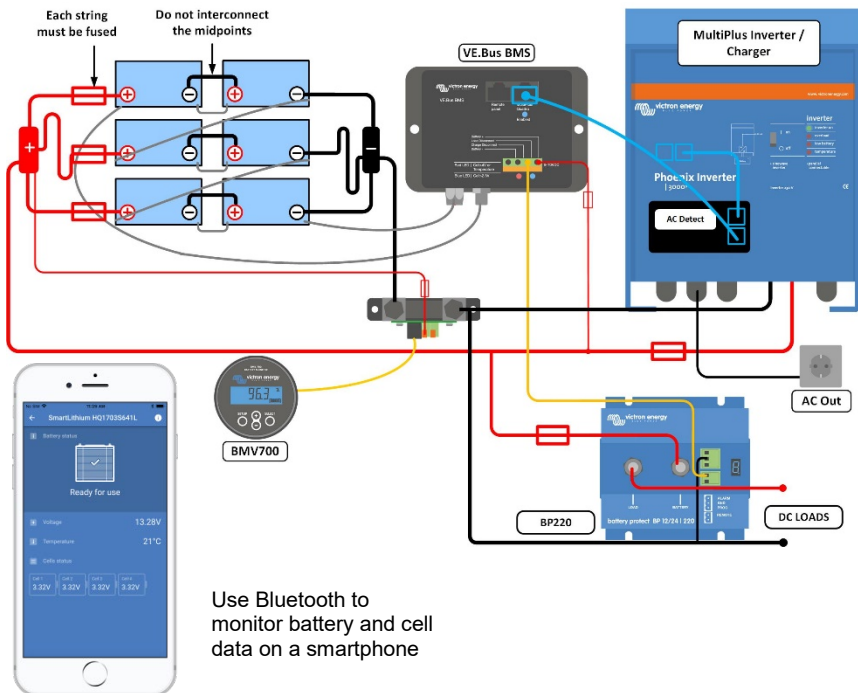


Figure 1: System example with VE.Bus BMS

1 Veiligheidsrichtlijnen en –maatregelen

1.1 Algemene voorschriften



Neem deze aanwijzingen in acht en bewaar deze in de buurt van de li-ionaccu om later nog te kunnen raadplegen. Werkzaamheden aan de li-ionaccu dienen enkel door gekwalificeerd personeel te worden uitgevoerd.



Draag bij het uitvoeren van werkzaamheden aan de li-ionaccu een veiligheidsbril en beschermende kleding.



Onbeschermd accumateriaal, zoals elektrolyt of poeder op de huid of in de ogen moet direct ruimschoots worden gespoeld met schoon water. Raadpleeg daarna een arts. Gemorst materiaal op kleding dient met water uitgespoeld te worden.



Explosie- en brandgevaar. De polen van de li-ion accu zijn altijd spanningsvoerend; plaats daarom geen voorwerpen of gereedschap op de li-ionaccu. Voorkom kortsluiting, te diepe ontlading en de hoge laadstromen. Gebruik geïsoleerd gereedschap. Draag geen metalen voorwerpen, zoals horloges, armbandjes, enz. Gebruik in geval van brand een schuim- of CO2-brandblusser van type D.



Probeer nooit om de li-ionaccu te openen of te demonteren. Elektrolyt is zeer agressief. Onder normale gebruiksomstandigheden is het contact met het elektrolyt onmogelijk. Als de behuizing van de accu beschadigd is, raak dan niet het blootliggende elektrolyt of poeder aan, omdat dit agressief is.



Een te diepe ontlading beschadigt de li-ionaccu zwaar en kan zelfs gevaarlijk zijn. Daarom is het gebruik van een extern veiligheidsrelais verplicht.



Lithium-ionaccu's zijn zwaar. Bij een ongeluk kunnen deze een projectiel worden! Zorg voor een goede en veilige montage en gebruik altijd een geschikte uitrusting voor het transport. Ga voorzichtig met lithium-ionaccu's om, omdat deze gevoelig zijn voor mechanische schokken.



Als de li-ionaccu wordt opgeladen nadat deze tot onder de uitschakelspanning was ontladen of als de li-ionaccu is beschadigd of overladen, dan kunnen uit de li-ionaccu een schadelijk mengsel van gassen, zoals fosfaat, ontsnappen.

Door het niet in acht nemen van de gebruiksaanwijzingen, het uitvoeren van reparaties met niet-originele onderdelen of het uitvoeren van reparaties zonder toestemming vervalt de garantie.

1.2 Transport- waarschuwingen



De li-ionaccu moet worden getransporteerd in de originele of gelijkwaardige verpakking en in rechtop staande positie.

Als de accu in de verpakking zit, gebruik dan zachte lussen om beschadiging te voorkomen. Ga niet onder een li-ionaccu staan als deze wordt getild. Til de accu nooit op aan de polen, enkel aan de handvaten.

De accu's worden getest volgens het UN handboek voor tests en criteria, deel III, lid 38.3 (ST/SG/AC.10/11/Rev.5). Bij het transport valt de accu onder de categorie UN3480, klasse 9, verpakkingsgroep II en dient conform deze regels te worden getransporteerd. Dat betekent dat de accu bij transport over land of over zee (ADR, RID & IMDG) moeten worden verpakt conform de verpakkingsinstructie P903 en bij luchttransport (IATA) conform de verpakkingsinstructie P965. De originele verpakking voldoet aan deze instructies.

1.3 Afvalverwijdering van lithium-ionaccu's

Accu's die voorzien zijn van het recyclingsymbool moeten worden verwerkt door een erkend recyclingbedrijf. Door overeenkomst kunnen de accu's worden retour gestuurd naar de fabrikant. Accu's mogen niet worden weggegooid als huishoudelijk of industrieel afval.



Lekvrij

2 Algemene informatie over lithium-ijzer-fosfaattu's

Lithium-ijzerfosfaat (LiFePO₄ of LFP) is de veiligste van de voornaamste lithium-ionaccutypes. De nominale spanning van een LFP-cel is 3,2V (loodzuur: 2V/cel). Een 12,8V LFP-accu bestaat daarom uit 4 in serie geschakelde cellen; en een 25,6V LFP-accu bestaat uit 8 in serie geschakelde cellen.

2.1 Robuust

Een loodzuuraccu zal vroegtijdig uitvallen door sulfatering:

- Als deze gedurende langere periodes in de tekortmodus werkt (als de accu zelden of nooit volledig wordt geladen).
- Als de accu deels opgeladen of nog erger, volledig ontladen wordt gelaten.

Een LFP-accu hoeft niet volledig te worden opgeladen. Dit is een groot voordeel van LFP vergeleken met loodzuur.

Andere voordelen zijn een groot bereik van de bedrijfstemperatuur, uitstekende cyclusprestaties, een lage interne weerstand en een hoge efficiëntie (zie hieronder).

LFP is daarom de juiste keuze voor zeer veeleisende toepassingen.

2.2 Efficiënt

Energie-efficiëntie kan bij diverse toepassingen (vooral bij autonome zonne- en/of windenergie) van wezenlijk belang zijn.

De energie-efficiëntiecyclus (ontladen vanaf 100% tot 0% en terug naar 80% opgeladen) van de gemiddelde loodzuuraccu is 80%.

De energie-efficiëntiecyclus van een LFP-accu is 92%.

Het laadproces van loodzuuraccu's wordt vooral inefficiënt als de laadstatus van 80% is bereikt, hetgeen resulteert in een efficiëntie van 50% of nog minder in zonne-energiesystemen die een aantal dagen reserve-energie vereisen (accu die met een laadstatus van 70% tot 100% werkt).

Een LFP-accu heeft daarentegen nog een efficiëntie van 90% bij lichte ontladingen.

2.3 Afmeting en gewicht

Bespaart tot 70% aan ruimte

Is tot 70% lichter in gewicht

2.4 Eindeloze flexibiliteit

LFP-accu's zijn eenvoudiger op te laden dan loodzuuraccu's. Hun laadspanning varieert van 14 V tot 15 V resp. 28 V tot 30 V (zolang er geen cel wordt blootgesteld aan meer dan 4,2 V) en ze hoeven niet volledig te worden geladen. Daarom kunnen er meerdere accu's parallel worden

geschakeld en treedt er geen schade op als een aantal accu's minder opgeladen is dan andere.

2.5 Waarom is een accubeheersysteem (BMS) essentieel?

Belangrijke feiten:

1. Een LFP-cel zal uitvallen als de spanning van de cel onder de 2,5V daalt (opmerking: herstel door opladen met een lage stroom van minder dan 0,1C is soms mogelijk).
2. Een LFP-cel zal uitvallen als de spanning van de cel boven de 4,2V komt.
3. De cellen van een LFP-accu worden aan het einde van de laadcyclus niet automatisch uitgebalanceerd.

De cellen in een accu zijn niet 100% identiek. Hierdoor worden sommige cellen tijdens de laad-ontlaadcycli sneller volledig opgeladen of ontladen dan andere. De verschillen nemen toe als de cellen niet zo nu en dan worden uitgebalanceerd/geëgaliseerd.

In een loodzuuraccu blijft zelfs, als één of meer cellen volledig zijn opgeladen, een geringe stroom lopen (het grootste effect van deze stroom is het uiteenvallen van water in waterstof en zuurstof). De stroom helpt om andere, achterlopende cellen volledig op te laden, zodat de laadstatus van alle cellen wordt geëgaliseerd.

De stroom die door een volledig opgeladen LFP-cel stroomt, is echter vrijwel nul, zodat de achterlopende cellen niet volledig worden geladen. De verschillen tussen cellen kunnen op den duur zo groot worden dat, ook al blijft de totale accuspanning binnen de limieten, sommige cellen kapot gaan door over- of onderspanning. Actieve celbalancering is ingebouwd in al onze LFP-batterijen

De bijkomende functies van een BMS zijn:

- Voorkomt onderspanning van de cel door de belasting vroegtijdig los te koppelen.
- Voorkomt overspanning van de cel door de laadstroom te verminderen of het laadproces te stoppen.
- Schakelt het systeem uit bij een te hoge temperatuur.
- Stopt het opladen van de batterij bij een te lage temperatuur.

Een BMS is daarom onmisbaar om schade aan lithium-ionaccu's te voorkomen.

Belangrijke aanwijzing

Lithium-ionaccu's zijn duur en kunnen beschadigd raken door te diepe ontlading of overlading.

Beschadiging als gevolg van te diepe ontlading kan optreden als lage belastingen (zoals: alarmsystemen, relais, stand-by-stroom van bepaalde



belastingen, retourstroomverbruik van acculaders of ladingsregelaars) langzaam de accu ontladen als het systeem niet in gebruik is. Koppel in geval van twijfel over een mogelijke reststroomstoot de accu los door de accuschakelaar te openen, de accuzekering(en) te verwijderen of de pluspool van de accu los te koppelen als het systeem niet in gebruik is.

Een restontladingstroom is vooral gevaarlijk als het systeem volledig is ontladen en door te lage celspanning is uitgeschakeld. Na een uitschakeling door een te lage celspanning resteert een reservecapaciteit van ongeveer 1Ah per 100Ah accucapaciteit in de accu. De accu zal beschadigd raken als de resterende reservecapaciteit aan de accu wordt onttrokken. Een reststroom van 10mA kan bijvoorbeeld een 200Ah-accu beschadigen als het systeem gedurende meer dan 8 dagen in ontladen toestand blijft.

3 Installatie

Opmerking: Accu's moeten altijd rechtop worden geïnstalleerd.

Maximum koppel

LiFePO4 accu 12,8V/60Ah Smart: 10 Nm (M6)

LiFePO4 accu 12,8V/90Ah Smart: 14 Nm (M8)

LiFePO4 accu 12,8V/100Ah Smart: 10 Nm (M6)

LiFePO4 accu 12,8V/150Ah Smart: 10 Nm (M6)

LiFePO4 accu 12,8V/160Ah Smart: 14 Nm (M8)

LiFePO4 accu 12,8V/200Ah Smart: 40 Nm (M12)

LiFePO4 accu 12,8V/300Ah Smart: 40 Nm (M12)

LiFePO4 accu 25,6V/200Ah Smart: 14 Nm (M8)

3.1 Kortsluitingsbeveiliging

Installatie met een enkele accu

De accu moet beveiligd zijn met een zekering.

De accu moet worden aangesloten op een BMS.

Serie-aansluiting

Tot vier 12,8V-accu's of tot twee 25,6V-accu's kunnen in serie worden aangesloten.

De accu's moeten worden aangesloten op een BMS.

De reeks accu's moet zijn beveiligd met een zekering.

Parallel of parallelle serie-aansluiting

Tot vijf accu's of accureksen kunnen parallel worden aangesloten.

De accu's moeten worden aangesloten op een BMS.

Elke accu of accureeks moet zijn beveiligd met een zekering, zie afbeelding 1.

Verbind de tussenliggende accu niet met accu-aansluitingen of twee of meer parallelle accureksen.

3.2 Accu's vóór het gebruik opladen

De accu's zijn ca. 50% opgeladen als deze worden verzonden.

Als in serie aangesloten accu's worden opgeladen, stijgt de spanning of de accu's of cellen met de hoogste beginlaadstatus als de accu volledig is opgeladen, terwijl andere accu's of cellen misschien achterlopen. Dit kan leiden tot overspanning bij de accu's of cellen met de hoogste beginlaadstatus en dan wordt het laadproces door het BMS onderbroken.

Daarom moeten nieuwe accu's volledig worden opgeladen voordat deze worden gebruikt in een serie- of in een serie-parallelconfiguratie.

Dit kan het beste plaatsvinden door de accu's individueel op te laden met een lage stroom (C/20 of minder) met een lader of voeding die is ingesteld op 14,2V resp. 28,4V. Een absorptieperiode van meerdere uren bij 14,2V resp. 28,4V wordt geadviseerd om de cellen volledig te egaliseren.

Als er geen BMS wordt gebruikt, laad de accu dan alleen op als een supervisor aanwezig is die het laadproces in geval van een storing van de accu kan stoppen.

Een parallelle aansluiting van de accu's en het gelijktijdig opladen is ook mogelijk. In dat geval moet elke accu zijn beveiligd met een zekering en bedraagt de aanbevolen laadspanning weer C/20 of minder, waarbij C de capaciteit is van één van de parallel aangesloten accu's.

4. Werking

4.1 Celbalancering en alarmen

Elke 12,8V accu bestaat uit vier in serie geschakelde cellen en het interne celbalanceringssysteem:

- Meet de spanning van elke cel en verplaats Ah van cellen met de hoogste spanning naar cellen met een lagere spanning tot het spanningsverschil tussen de cellen minder is dan 10 mV (actief balanceren).
- geeft een overspannings- (celspanning > 3,75V) of onderspannings- (celspanning < 2,80V) alarm af dat door het BMS moet worden verwerkt (zie 4.3).
- geeft een overtemperatuur ($T > 75^{\circ}\text{C}$) alarm af dat door het BMS moet worden verwerkt.
- Geeft een alarm voor een te lage temperatuur ($T < 5^{\circ}\text{C}$) dat door het BMS moet worden verwerkt (zie 4.4).

Opmerking:

De balans tussen de cellen van een accu of van in serie aangesloten accu's kan verstoord worden door hoge ontladingsstromen en korte druppellaadperiodes.

De beschikbare accucapaciteit wordt dan verminderd en er kan een celoverspanningsalarm optreden.

Ga te werk volgens de procedures beschreven in paragraaf 3.2 om de accu's volledig op te laden en te egaliseren.



4.2 Laadspanning

Aanbevolen laadspanning: 14V - 14,4V per accu (aanbevolen 14,2V), respectievelijk 28V-28,8V (28,4V aanbevolen).

Absorptietijd: 2 uur voor 100% oplading of enkele minuten voor 98% oplading.

Maximale laadspanning: 14,4V resp. 28,8V per accu.

Aanbevolen opslag-/druppelladingsspanning: 13,5V resp. 27V per accu.

De accu's moeten regelmatig (minimaal elke maand) worden opgeladen tot 14V (max. 14,4V) om de cellen volledig in balans te brengen. Twee of vier in serie geschakelde accu's dienen regelmatig tot 28V resp. 56V te worden opgeladen.

4.3 Toegestane ontleding celvoltage

De drempel waaronder de batterij niet mag worden ontladen is standaard 2,8V en is in de VictronConnect app configureerbaar (bereik 2,6V tot 2,8V).

4.4 Toegestane minimumtemperatuur laden

De drempel waaronder een alarm voor te lage temperatuur afgaat is standaard 5°C en is in de VictronConnect app configureerbaar (bereik -20°C tot +20°C).

Waarschuwing: het instellen van de temperatuur onder de 5°C laat de garantie vervallen. Het opladen van een lithium-ijzerfosfaatbatterij onder de 5°C beschadigt permanent de chemische samenstelling waarbij de capaciteit vermindert.

4.5 Accutemperatuur offset

De accutemperatuur wordt gebruikt om de temperatuuralarmen te activeren en wordt weergegeven in de VictronConnect app. Om de nauwkeurigheid van de temperatuurmeting te verbeteren, wordt deze intern gekalibreerd nadat de batterij gedurende 4 uur inactief is geweest (er heeft geen balancering plaatsgevonden).

Het resultaat van deze kalibratie is een temperatuurcompensatie van de accu, die beschikbaar is als een gebruikersinstelling in de VictronConnect app (bereik -10°C tot +10°C). Dit maakt handmatige correctie van de accutemperatuur mogelijk, indien nodig.

Als de temperatuurcompensatie door de gebruiker wordt ingesteld terwijl tijdens een autokalibratie, zal de autokalibratie worden afgebroken. De door de gebruiker ingestelde waarde heeft voorrang.

4.6 Accubeheersysteem (Battery Management System, BMS)

Twee BMS staan ter beschikking om de informatie van de accu's te verwerken.

4.6.1 BMS 12/200

Het BMS 12/200 is een eenvoudig all-in-one-oplossing die enkel bedoeld is voor 12V-systemen.

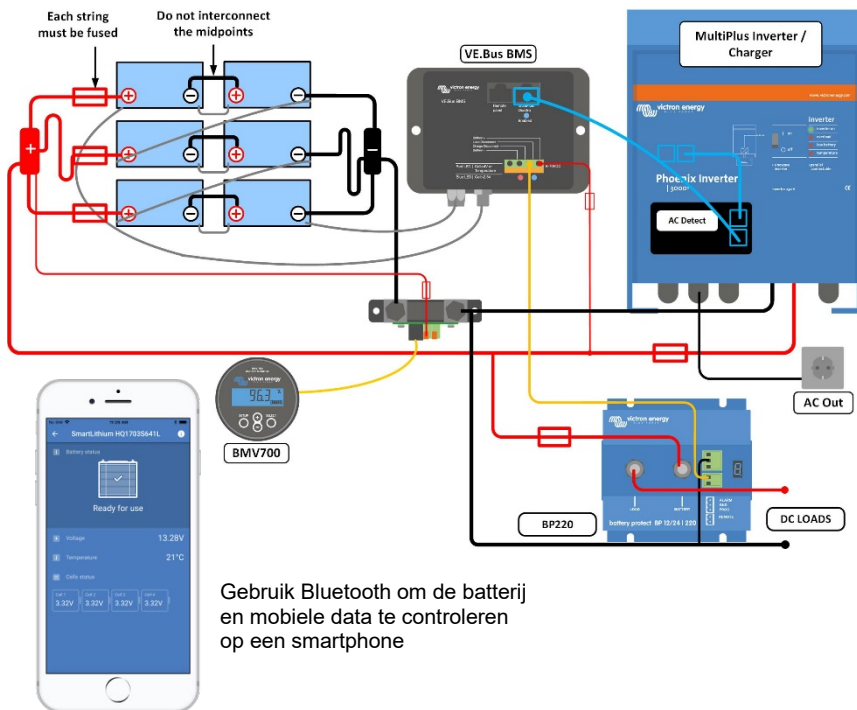
Het bevat alle functies zoals beschreven onder paragraaf 4.1 plus een wisselstroombegrenzer.

Zie voor meer informatie het datasheet en de handleiding op onze website.

4.6.2 VE.Bus BMS

Dit BMS is geschikt voor 12, 24 en 48V-systemen.

Zie voor meer informatie en installatievoorbeelden het datasheet en de handleiding op onze website.



Afbeelding 1: Systeemvoorbeeld met VE.Bus BMS

1 Règles et mesures de sécurité

1.1 Règles générales



Veillez respecter ces instructions et rangez-les à proximité de la batterie au lithium-ion afin de pouvoir les consulter ultérieurement. Seul du personnel qualifié doit travailler sur des batteries au lithium-ion.



Lorsque vous travaillez sur une batterie au lithium-ion, vous devez porter des vêtements et des lunettes de protection.



Tout élément de la batterie – tel que l'électrolyte ou la poudre – entrant en contact avec la peau ou les yeux doit être immédiatement rincé abondamment à l'eau. Ensuite, appelez un médecin. Tout élément renversé sur les vêtements doit être rincé avec de l'eau.



Risque d'explosion et d'incendie. Les bornes de la batterie au lithium-ion sont toujours sous tension, vous ne devez donc jamais mettre de pièces ou d'outils dessus. Évitez les courts-circuits, les décharges trop profondes et les courants de charge trop élevés. Utilisez des outils isolés. Enlevez tous les objets métalliques tels des montres, des bracelets, etc. En cas d'incendie, vous devez utiliser un extincteur à dioxyde de carbone ou à poudre, de type D.



Ne jamais essayer d'ouvrir ou de démonter la batterie au lithium-ion. L'électrolyte est un élément extrêmement corrosif. Dans des conditions normales de travail, le risque de contact avec l'électrolyte est impossible. Si le boîtier de la batterie est endommagé, ne touchez pas l'électrolyte ou la

poudre qui se dégage car il s'agit d'éléments extrêmement corrosifs.

Des décharges trop profondes peuvent endommager sérieusement la batterie au lithium-ion et elles peuvent même être dangereuses. C'est pourquoi, l'utilisation d'un relai de sécurité externe est obligatoire.



Les batteries au lithium-ion sont lourdes. Si elles sont impliquées dans un accident, elles peuvent se transformer en projectiles ! Assurez-vous que le montage soit adéquat et sûr, et utilisez toujours un équipement de manipulation adapté pour le transport.



Manipulez les batteries au lithium-ion avec précaution car elles sont sensibles aux chocs mécaniques.

Si une batterie au lithium-ion est chargée, après avoir été déchargée en dessous de sa tension de coupure, ou si elle a été endommagée ou surchargée, il est possible qu'elle dégage un mélange dangereux de gaz tels que le phosphate.



Le non respect des instructions de fonctionnement, les réparations effectuées avec des pièces autres que celles d'origine, ou les réparations effectuées sans autorisation annuleront la garantie.

1.2 Avertissements quant au transport

La batterie au lithium-ion doit être transportée dans son emballage d'origine ou équivalent, et en position verticale.

Si la batterie se trouve dans son emballage, utilisez des sangles rembourrées pour éviter de l'endommager.

Ne pas rester sous une batterie au lithium-ion lorsqu'elle est hissée. Ne jamais soulever les batteries par leurs bornes. Les batteries doivent être soulevées par leurs poignées.

Les batteries sont testées conformément au Manuel d'épreuves et de critères des Nations Unies, partie III, sous-section 38.3

(ST/SG/AC.10/11/Rév.5).

En ce qui concerne le transport, les batteries appartiennent à la catégorie UN3480, Classe 9, Groupe d'emballage II et elles doivent être transportées conformément à cette réglementation. Cela signifie que pour le transport terrestre et maritime (ADR, RID et IMDG), elles doivent être transportées conformément aux instructions d'emballage P903, et pour le transport aérien (IATA) conformément aux instructions d'emballage P965. L'emballage d'origine est conforme à ces instructions.



1.3 Mise au rebut des batteries au lithium-ion

Les batteries présentant le symbole de recyclage doivent être gérées par un centre de traitement spécialisé. Par convention, elles peuvent être renvoyées au fabricant. Les batteries ne doivent pas être mélangées avec les ordures ménagères ou les déchets industriels.



Étanche

2 Information générale concernant les batteries au phosphate de lithium de fer

Les batteries au phosphate de lithium de fer (LiFePO₄ ou LFP) sont les plus sûres parmi les batteries au lithium-ion traditionnelles. La tension nominale d'une cellule LFP est de 3,2 V (au plomb : 2 V / cellule). Une batterie LFP de 12,8 V est composée de 4 cellules connectées en série, et une batterie de 25,6 V est composée de 8 cellules connectées en série.

2.1 Robuste

Une batterie au plomb tombera en panne prématurément à cause de la sulfatation :

- Si elle fonctionne en mode déficitaire pendant de longues périodes (c'est à dire que la batterie est rarement ou jamais entièrement chargée).
- Si elle est laissée partiellement chargée, ou pire, entièrement déchargée.

Il n'est pas nécessaire de charger complètement une batterie LFP. Cela représente un avantage majeur de la batterie LFP par rapport à la batterie au plomb.

Ces batteries présentent d'autres avantages tels qu'une large plage de température d'exploitation, une performance excellente d'accomplissement de cycle, une résistance interne faible et une efficacité élevée (voir ci-dessous).

Une batterie LFP est donc la chimie de premier choix pour des applications très exigeantes.

2.2 Efficiente

Dans le cas de nombreuses applications (en particulier les applications autonomes solaires et/ou éoliennes), l'efficacité énergétique peut être d'une importance cruciale.

L'efficacité énergétique aller-retour – décharge de 100 % à 0 % et retour à 100 % chargée – d'une batterie au plomb moyenne est de 80 %

L'efficacité énergétique aller-retour d'une batterie LFP est de 92 %.

Le processus de charge des batteries au plomb devient particulièrement inefficace quand l'état de charge a atteint 80 %, donnant des efficacités de 50 % ou même moins dans le cas des systèmes solaires quand plusieurs jours d'énergie de réserve est nécessaire (batterie fonctionnant avec un état de charge de 70 % à 100 %).

En revanche, une batterie LFP atteindra 90 % d'efficacité dans des conditions de décharge légère.

2.3 Taille et poids

70 % de gain de place.

70 % de gain de poids.

2.4 Souplesse infinie

Les batteries LFP sont plus faciles à charger que celles au plomb. La tension de charge peut varier de 14 V à 15 V et de 28 à 30 V respectivement (tant qu'aucune cellule n'est soumise à plus de 4,2 V). Elles n'ont pas besoin d'être chargée entièrement. Par conséquent, plusieurs batteries peuvent être raccordées en parallèle, et si certaines batteries sont moins chargées que d'autres, cela ne provoquera aucun dommage.

2.5 Pourquoi un système de gestion de batterie est-il essentiel ?

Important :

1. Une cellule LFP sera défaillante si la tension sur les cellules chute en dessous de 2,5 V (remarque : la récupération est parfois possible en chargeant avec un courant faible, inférieur à 0,1 C).
2. Une cellule LFP sera défaillante si la tension sur la cellule dépasse 4,2 V.
3. Les cellules d'une batterie LFP ne s'équilibrent pas automatiquement à la fin du cycle de charge.

Les cellules dans une batterie ne sont pas 100 % identiques. C'est pourquoi, après un cycle, certaines cellules seront entièrement chargées ou déchargées avant d'autres. Les différences augmenteront si les cellules ne sont pas équilibrées/égalisées de temps en temps.

Pour une batterie au plomb, un léger courant continuera de circuler même après la charge complète d'une ou plusieurs cellules (l'effet principal de ce courant est la décomposition de l'eau en hydrogène et oxygène). Ce courant aide à charger entièrement d'autres cellules qui sont déphasées dans leur chargement, et par conséquent il égalisera l'état de charge de toutes les cellules.

Cependant, le courant à travers une cellule LFP, lorsqu'elle est complètement chargée, est près de 0, donc les cellules déphasées ne seront pas chargées entièrement. À long terme, ces différences entre les cellules peuvent parfois devenir si importantes — même si la tension générale de la batterie se trouve dans ses limites — que certaines cellules deviendront défaillantes suite à une surtension ou sous-tension.

Toutes nos batteries LFP disposent d'équilibrage de cellule actif.

Les fonctions supplémentaires d'un BMS sont :

- Empêcher la sous-tension de la cellule en déconnectant la charge juste à temps.
- Empêcher la surtension de la cellule en réduisant le courant de charge ou en arrêtant le processus de charge.
- Arrêter le système en cas de surchauffe.
- Arrêter de charger la batterie en cas de température insuffisante.

Un BMS est donc indispensable pour éviter d'endommager des batteries au lithium-ion.



Avertissement important

Les batteries au lithium-ion sont chères et elles peuvent être endommagées par une décharge ou charge excessive.

Les dommages dus à un excès de décharge peuvent se produire si de petites charges (telles que : des systèmes d'alarme, des relais, un courant de veille de certaines charges, un courant de rappel absorbé des chargeurs de batterie ou régulateurs de charge) déchargent lentement la batterie quand le système n'est pas utilisé.

En cas de doute quant à un risque d'appel de courant résiduel, isolez la batterie en ouvrant l'interrupteur de batterie, en tirant le(s) fusible(s) de la batterie ou en déconnectant le pôle positif de la batterie si le système n'est pas utilisé.

Un courant de décharge résiduel est particulièrement dangereux si le système a été entièrement déchargé et qu'un arrêt a eu lieu en raison d'une tension faible sur une cellule. Après un arrêt dû à une tension de cellule trop faible, une réserve de puissance d'environ 1 Ah par batterie de 100 Ah est laissée dans la batterie. La batterie sera endommagée si la réserve de puissance restante est extraite de la batterie. Par exemple, un courant résiduel de 10 mA peut endommager une batterie de 200 Ah si le système est laissé déchargé pendant plus de 8 jours.

3 Installation

Remarque : les batteries doivent toujours être installées en position verticale.

Moment de force maximal

Batterie LiFePO₄ de 12,8 V/60 Ah Smart : 10 Nm (M6)

Batterie LiFePO₄ de 12,8 V/90 Ah Smart : 14 Nm (M8)

Batterie LiFePO₄ de 12,8 V/100 Ah Smart : 10 Nm (M6)

Batterie LiFePO₄ de 12,8 V/150 Ah Smart : 10 Nm (M6)

Batterie LiFePO₄ de 12,8 V/1650 Ah Smart : 14 Nm (M8)

Batterie LiFePO₄ de 12,8 V/200 Ah Smart : 40 Nm (M12)

Batterie LiFePO₄ de 12,8 V/300 Ah Smart : 40 Nm (M12)

Batterie LiFePO₄ de 25,6 V/200 Ah Smart : 14 Nm (M8)

3.1 Protection contre les courts-circuits

Installation d'une seule batterie

La batterie doit être protégée par un fusible.

La batterie doit être connectée à un BMS.

Raccordement en série

Jusqu'à quatre batteries de 12,8 V ou deux de 25,6 V peuvent être raccordées en série.

Les batteries doivent être connectées à un BMS.

La file de batterie doit être protégée par un fusible.

Raccordement en parallèle, ou en parallèle-série

Jusqu'à cinq batteries ou files de batteries peuvent être raccordées en parallèle.

Les batteries doivent être connectées à un BMS.

Chaque batterie ou file de batteries doit être protégée par un fusible. Voir figure 1.

Ne pas raccorder la batterie intermédiaire aux connexions de batterie de deux files de batteries ou plus.

3.2 Charger les batteries avant leur utilisation

Les batteries sont chargées à près de 50 % lorsqu'elles sont expédiées.

Lorsque des batteries connectées en série sont chargées, la tension des batteries ou des cellules présentant l'état de charge initial le plus élevé augmentera lorsqu'elle atteindra l'état de charge complet, tandis que d'autres batteries ou cellules peuvent restées à la traîne. Cela peut entraîner une surtension des batteries ou des cellules avec l'état de charge initial le plus élevé, et le processus de charge sera interrompu par le BMS.

C'est pourquoi les nouvelles batteries doivent être entièrement chargées avant de les utiliser dans une configuration en parallèle-série ou série.

Cela peut être fait individuellement en chargeant les batteries à un taux faible (C/20 ou moins) avec un chargeur ou une alimentation fixée à 14,2 V ou 28,4 V respectivement. Une période d'absorption de plusieurs heures à 14,2 V ou 28,4 V respectivement est recommandée pour équilibrer entièrement les cellules.

Si aucun BMS n'est utilisé, il ne faut effectuer la charge qu'en présence d'un superviseur afin que ce dernier puisse arrêter le processus de charge en cas de dysfonctionnement d'une batterie.

Il est également possible de connecter les batteries en parallèle et de les charger simultanément. Dans ce cas, chaque batterie doit être protégée par un fusible, et le taux de charge recommandé est de nouveau C/20 ou moins, C étant la capacité de l'une des batteries en parallèle.

4 Fonctionnement

4.1 Équilibrage des cellules et alarmes

Chaque batterie de 12,8 V comprend quatre cellules connectées en série. Le système interne d'équilibrage des cellules permettra de :

- a) Mesurer la tension de chaque cellule et de déplacer des Ah depuis les cellules ayant la plus haute tension vers les cellules ayant une tension plus faible, et ce, jusqu'à ce que la différence de tension entre les cellules soit inférieure à 10 mV (équilibrage actif).
- b) Déclencher une alarme de surtension (tension de cellule > 3,75 V) ou de sous-tension (tension de cellule < 2,80 V) qui sera traitée par le BMS (voir Section 4.3).



- c) Déclencher une alarme de surchauffe ($T > 75\text{ °C}$) qui sera traitée par le BMS.
- d) Déclencher une alarme de température insuffisante ($T < 5\text{ °C}$) qui sera traitée par le BMS (voir Section 4.4).

Remarque :

Les cellules d'une batterie ou de batteries raccordées en série peuvent se déséquilibrer en raison de courants de décharge élevés ou de périodes de charge Float courtes.

La capacité disponible de la batterie s'en verra donc réduite, et une alarme de surtension de cellule surviendra.

Appliquez les procédures décrites dans la section 3.2 pour charger entièrement et équilibrer les batteries.

4.2. Tension de charge

Tension de charge recommandée : 14 V–14,4 V par batterie (14,2 V recommandée), et respectivement 28 V–28,8 V (28,4 V recommandée).
Durée d'absorption : 2 h pour une charge à 100 %, ou quelques minutes pour une charge à 98 %.

Tension de charge maximale : 14,4 V et 28,8 V respectivement par batterie.

Tension Float/Stockage recommandée : 13,5 V et 27 V respectivement par batterie.

Les batteries doivent être régulièrement chargées (au moins une fois par mois) à 14 V (14,4 V maxi) afin d'équilibrer entièrement les cellules. Si deux ou quatre batteries sont installées en série, elles devront être chargées régulièrement à 28 V et 56 V respectivement.

4.3 Tension de cellule d'Autorisation-de-décharger

Par défaut, le seuil en dessous duquel la décharge de la batterie n'est pas permise est de 2,8 V. Ce seuil peut être configuré à l'aide de l'application VictronConnect (plage allant de 2,6 à 2,8 V).

4.4 Température minimale d'Autorisation-de-charger

Par défaut, le seuil en dessous duquel se déclenche une alarme de température insuffisante est de 5° C. Ce seuil peut être configuré à l'aide de l'application VictronConnect (plage allant de -20 °C à +20 °C).

Attention : configurer ce seuil en dessous de 5 °C annule la garantie. Le fait de charger une batterie au phosphate de lithium-fer en dessous de 5 °C endommage irrémédiablement sa chimie, et réduit sa capacité.

4.5 Écart de température de la batterie

La température de la batterie est utilisée pour déclencher des alarmes relatives à la température. Elle est affichée dans l'application VictronConnect. Afin d'améliorer la précision de la mesure de la température de la batterie, elle est étalonnée au niveau interne dès que la batterie a été mise au repos (pas d'équilibrage en cours) pendant 4 heures.

Le résultat de cet étalonnage est l'écart de température de la batterie : il s'agit d'un paramètre d'utilisateur disponible dans l'application VictronConnect (plage de -10 °C à +10 °C). Cela permet également de corriger manuellement la température de la batterie, le cas échéant.

Si l'écart de température est défini par l'utilisateur alors qu'une procédure d'étalonnage automatique est en cours, cette dernière sera annulée. Et la valeur définie par l'utilisateur prendra effet.

4.6 Système de gestion de batterie (BMS)

Deux BMS sont disponibles pour traiter l'information provenant des batteries.

4.6.1 BMS 12/200

Le BMS 12/200 est une simple solution tout-en-un conçue uniquement pour des systèmes de 12 V.

Il comprend toutes les fonctions décrites dans la section 4.1, plus un limiteur de courant alternatif.

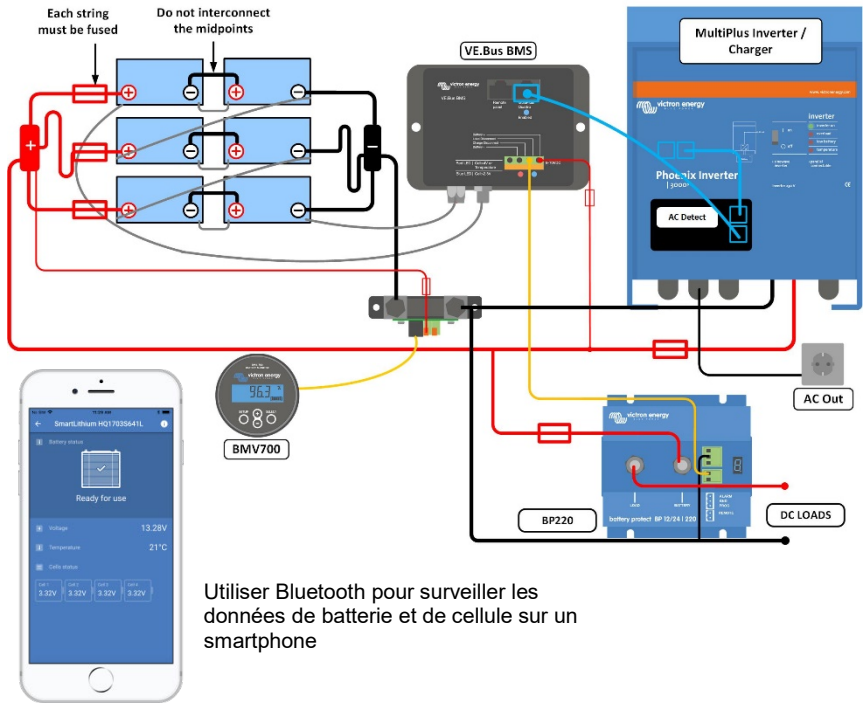
Pour davantage de détails, veuillez consulter la fiche technique et le manuel sur notre site Web.

4.6.2 BMS de VE.Bus

Ce BMS est prévu pour des systèmes de 12, 24 et 48 V.

Pour davantage de détails et des exemples d'installation, consultez la fiche technique et le manuel sur notre site Web.





Utiliser Bluetooth pour surveiller les données de batterie et de cellule sur un smartphone

Figure 1 : Exemple de système avec un BMS de VE.Bus

1. Sicherheitsrichtlinien und Sicherheitsmaßnahmen

1.1 Allgemeine Regeln



Bitte beachten Sie diese Anweisungen und bewahren Sie sie zum späteren Nachschlagen in Nähe der Lithium-Ionen-Batterie auf.

Arbeiten an der Lithium-Ionen-Batterie sollten nur durch einen Fachmann durchgeführt werden.



Während der Arbeit an der Lithium-Ionen-Batterie tragen Sie bitte Schutzbrillen und Schutzkleidung.



Gelangt Material aus der nicht abgedeckten Batterie, wie zum Beispiel Elektrolyt oder Puder, in Kontakt mit der Haut oder den Augen muss es sofort mit viel sauberem Wasser ab- bzw. ausgespült werden. Ziehen Sie dann einen Arzt hinzu. Wenn etwas davon auf die Kleidung verschüttet wird, spülen Sie es mit Wasser ab.



Explosions- und Brandgefahr. Die Anschlüsse der Lithium-Ionen-Batterie stehen stets unter Spannung. Legen Sie daher niemals Gegenstände oder Werkzeuge auf der Lithium-Ionen-Batterie ab. Vermeiden Sie Kurzschlüsse, zu tiefe Entladungen oder zu hohe Ladeströme. Verwenden Sie isolierte Werkzeuge. Tragen Sie keine metallischen Gegenstände so wie Uhren, Armbänder, etc. am Körper. Verwenden Sie bei einem Feuer Feuerlöscher der Klasse D, Schaum oder CO₂-Feuerlöscher.



Versuchen Sie niemals, die Lithium-Ionen-Batterie zu öffnen oder zu zerlegen. Elektrolyt ist stark ätzend. Unter normalen Arbeitsbedingungen ist ein Kontakt mit dem Elektrolyt ausgeschlossen. Falls das Batteriegehäuse beschädigt sein sollte, berühren Sie nicht den austretenden Elektrolyten oder das Puder, da beides stark ätzend ist.



Wird die Lithium-Ionen-Batterie zu tief entladen wird sie dadurch stark beschädigt. Dies kann sogar gefährlich werden. Aus diesem Grund ist die Verwendung eines externen Sicherheitsrelais vorgeschrieben.



Lithium-Ionen-Batterien sind schwer. Bei einem Unfall können sie zu einem Geschoss werden! Achten Sie auf eine angemessene und sichere Befestigung und verwenden Sie stets die passende Transportausrüstung. Gehen Sie vorsichtig mit den Lithium-Ionen-Batterien um, sie sind stoßempfindlich.



Wenn eine Lithium-Ionen-Batterie wieder geladen wird, nachdem sie bis unter die Begrenzungsspannung für das Abschalten entladen wurde oder, wenn sie beschädigt oder überladen wurde, kann sie ein schädliches Gasgemisch wie zum Beispiel Phosphat absondern.

Bei einer Nicht-Befolgung der Bedienungsanleitung, bei Reparaturen mit anderen als den Originalbauteilen oder bei unfachmännischen Reparaturen erlischt die Gewährleistung.

1.2 Transporthinweise

Die Lithium-Ionen-Batterie ist in ihrer Originalverpackung bzw. in einer entsprechenden Verpackung in einer aufrechten Position zu transportieren. Befindet sich die Batterie in ihrer Verpackung, verwenden Sie weiche Riemen, um eine Beschädigung zu vermeiden. Stellen Sie sich nie unter eine Lithium-Ionen-Batterie, während diese hochgezogen wird. Heben Sie die Batterie niemals an den Anschlüssen, sondern immer nur an den Griffen an.



Die Batterie sind gemäß dem UN-Handbuch über Prüfungen und Kriterien, Teil III, Unterabschnitt 38.3 (ST/SG/AC.10/11/Fassung 5) geprüft.

Für den Transport gehören die Batterien zur Kategorie UN3480, Klasse 9, Verpackungsgruppe II und beim Transport müssen diese Regelungen eingehalten werden. Das bedeutet, dass sie für den Transport über Land oder auf dem Wasser (ADR, RID & IMDG) gemäß der Verpackungsanleitung P903 und für den Lufttransport (IATA) gemäß der Verpackungsanleitung P965 verpackt sein müssen. Die Originalverpackung erfüllt diese Vorgaben.

1.3 Entsorgung von Lithium-Ionen-Batterien

Batterien, die mit dem Recycling-Symbol gekennzeichnet sind, müssen bei anerkannten Recycling-Stellen abgegeben werden. Nach Absprache können sie auch an den Hersteller zurückgegeben werden. Batterien dürfen nicht in den Haus- oder Industrie- Müll.



Auslaufsicher

2 Allgemeine Informationen über Lithium-Eisenphosphat-Batterien

Die Lithium-Eisenphosphat (LiFePO₄ oder LFP)-Batterie ist der sicherste der regulären Lithium-Ionen-Batterietypen. Die Nennspannung einer LFP-Zelle beträgt 3,2V (Blei-Säure: 2V/Zelle). Eine 12,8V LFP-Batterie besteht daher aus 4 in Reihe geschalteten Zellen und eine 25,6V Batterie besteht aus 8 in Reihe geschalteten Zellen.

2.1 Robust

Eine Blei-Säure-Batterie wird in folgenden Fällen aufgrund von Sulfatierung vorzeitig versagen:

- Wenn sie lange Zeit in unzureichend geladenem Zustand in Betrieb ist (d. h., wenn die Batterie selten oder nie voll aufgeladen wird).
- Wenn sie im teilweise geladenen Zustand oder noch schlimmer, vollständig entladenen Zustand belassen wird.

Eine LFP-Batterie muss nicht voll aufgeladen sein. Darin liegt ein bedeutender Vorteil von LFP-Batterien im Vergleich zu Blei-Säure-Batterien.

Weitere Vorteile betreffen den breiten Betriebstemperaturbereich, eine exzellente Zyklierung, geringe Innenwiderstände und einen hohen Wirkungsgrad (siehe unten).

Die LFP-Batterie ist daher die beste Wahl für den anspruchsvollen Gebrauch.

2.2 Effizient

Bei zahlreichen Einsatzmöglichkeiten (insbesondere bei netzunabhängigen Solar- und/oder Windkraftanlagen), kann der Energienutzungsgrad von ausschlaggebender Bedeutung sein.

Der Energienutzungsgrad eines Ladezyklus (Entladen von 100% auf 0% und Wiederaufladen auf 100%) einer durchschnittlichen Blei-Säure-Batterie liegt bei ca. 80%.

Der Energienutzungsgrad eines Ladezyklus einer LFP-Batterie liegt dagegen bei 92%.

Der Ladevorgang einer Blei-Säure Batterie wird insbesondere dann ineffizient, wenn die 80%-Marke des Ladezustands erreicht wurde. Das führt zu Energienutzungsgraden von nur 50%. Bei Solar-Anlagen ist dieser Wert sogar noch geringer, da dort Energiereserven für mehrere Tage benötigt werden (die Batterie ist in einem Ladezustand zwischen 70% und 100% in Betrieb). Eine LFP-Batterie erzielt dagegen noch immer einen Energienutzungsgrad von 90%, selbst wenn sie sich in einem flachen Entladezustand befindet.

2.3 Größe und Gewicht

Platzeinsparung von bis zu 70%

Gewichteinsparung von bis zu 70%

2.4 Unendlich flexibel

LFP-Batterien lassen sich leichter aufladen, als Blei-Säure-Batterien. Die Lade-Spannung kann zwischen 14 V bis 15 V bzw. 28 V bis 30 V variieren (so lange an keiner der Zellen mehr als 4,2 V anliegen). Außerdem müssen diese Batterien nicht voll aufgeladen werden. Aus diesem Grund lassen sich mehrere Batterien parallel schalten und es tritt keine Beschädigung auf, wenn einige Batterien weniger geladen sind, als andere.

2.5 Die wichtige Bedeutung eines Batterie-Management-Systems (BMS)

Wichtige Fakten:

1. Eine LFP-Zelle versagt, wenn die Spannung über der Zelle auf unter 2,5V abfällt (Hinweis: manchmal ist eine Wiederherstellung durch das Laden mit einem niedrigen Strom, unter 0,1C, möglich).
2. Eine LFP-Zelle wird versagen, wenn die an der Zelle anliegende Spannung auf einen Wert über 4,2V ansteigt.
3. Die Zellen einer LFP-Batterie führen am Ende des Ladezyklus keinen automatischen Ausgleich durch.

Die Zellen in einer Batterie sind nie zu 100% gleich. Aus diesem Grund sind einige Zellen beim Zyklisieren früher voll aufgeladen bzw. entladen, als andere. Diese Unterschiede werden stärker, wenn die Zellen nicht von Zeit zu Zeit ausgeglichen werden.

In einer Blei-Säure-Batterie fließt ein geringer Strom weiter, auch, wenn eine oder mehrere Zellen voll aufgeladen sind (der Haupteffekt dieses Stroms ist die Spaltung von Wasser in Wasser- und Sauerstoff). Mithilfe dieses Stroms werden die anderen Zellen, deren Ladezustand hinterherhinkt, ebenso geladen und so wird der Ladezustand aller Zellen ausgeglichen.

Der Strom, der durch eine LFP-Zelle fließt ist, wenn diese voll geladen ist, jedoch so gut wie Null. Weniger geladene Zellen werden aus diesem Grund nicht voll aufgeladen. Mit der Zeit kann der Unterschied zwischen den einzelnen Zellen so extrem groß werden, dass, obwohl die Gesamtspannung der Batterie innerhalb der Begrenzungen liegt, einige Zellen aufgrund von Über- bzw. Unterspannung versagen werden.

Aktiver Zellenausgleich ist in allen unseren LFP Batterien eingebaut.

Die zusätzlichen Funktionen eines BMS sind:

- Schutz der Zelle vor einer Unterspannung durch das rechtzeitige Abschalten der Last.
- Schutz der Zelle vor einer Überspannung durch Reduzierung des Ladestroms bzw. Abschalten des Ladevorgangs.
- Abschalten des Systems im Falle einer Übertemperatur.
- Laden der Batterie wird im Falle einer Untertemperatur gestoppt.

Daher ist ein BMS für die Verhinderung von Schäden an Lithium-Ionen-Batterien unverzichtbar.



Wichtiger Hinweis

Lithium-Ionen-Batterien sind teuer und können durch ein zu tiefes Entladen oder ein Überladen beschädigt werden.

Eine Beschädigung durch ein zu tiefes Entladen kann vorkommen, wenn kleine Lasten (wie zum Beispiel: Alarmsysteme, Relais, der Standby-Strom bestimmter Lasten, der Rückstromfluss der Batterieladegeräte oder Laderegler) die Batterie langsam entladen, wenn das System nicht in Gebrauch ist.

Falls Sie sich bezüglich einer Reststromaufnahme unsicher sind, trennen Sie die Batterie durch Öffnen des Batterieschalters, Herausnehmen der Sicherung(en) oder Abtrennen des Batterie-Pluspols, wenn das System nicht in Gebrauch ist.

Ein Entlade-Reststrom ist insbesondere dann gefährlich, wenn das System vollständig entladen wurde und es aufgrund einer niedrigen Zellspannung abgeschaltet wurde. Nach dem Abschalten aufgrund einer niedrigen Zellspannung verbleibt eine Reservekapazität von ungefähr 1Ah pro 100Ah Batteriekapazität in der Batterie. Die Batterie wird beschädigt, wenn die verbleibende Reservekapazität aus der Batterie entnommen wird. Ein Reststrom von 10mA zum Beispiel kann eine 200 Ah Batterie beschädigen, wenn das System über 8 Tage im entladenen Zustand belassen wird.

3 Installation

Hinweis: Batterien müssen stets in aufrechter Position installiert werden.

Maximaler Drehmoment

LiFePO₄ Batterie 12,8 V/60Ah Smart: 10 Nm (M6)

LiFePO₄ Batterie 12,8 V/90Ah Smart: 14 Nm (M8)

LiFePO₄ Batterie 12,8 V/100Ah Smart: 10 Nm (M6)

LiFePO₄ Batterie 12,8 V/150Ah Smart: 10 Nm (M6)

LiFePO₄ Batterie 12,8 V/160Ah Smart: 14 Nm (M8)

LiFePO₄ Batterie 12,8 V/200Ah Smart: 40 Nm (M12)

LiFePO₄ Batterie 12,8 V/300Ah Smart: 40 Nm (M12)

LiFePO₄ Batterie 25,6 V/200Ah Smart: 14 Nm (M8)

3.1 Schutz vor KurzschlüssenInstallation einer einzelnen Batterie

Die Batterie muss durch eine Sicherung geschützt werden.

Die Batterie muss an ein BMS angeschlossen werden.

Anschluss in Serie

Bis zu vier 12,8 V Batterien oder bis zu zwei 25,6 V Batterien können in Reihe geschaltet werden.

Der Batterie-Strang muss durch eine Sicherung geschützt werden.

Paralleler oder in Serie-parallel geschalteter Anschluss

Bis zu fünf Batterien oder Batteriestränge lassen sich parallel anschließen.

Die Batterien müssen an ein BMS angeschlossen werden.

Jede der Batterien bzw. jeder der Batteriestränge muss durch eine Sicherung geschützt werden. Man beachte auch Abbildung 1.

Verbinden Sie die dazwischen liegende Batterie nicht mit den Batterieanschlüssen von zwei oder mehr parallelen Batteriesträngen.

3.2 Laden der Batterien vor der Verwendung

Bei der Lieferung sind die Batterien etwa zu 50% aufgeladen.

Beim Laden von in Serie geschalteten Batterien, wird die Spannung der Batterien bzw. Zellen mit dem höchsten anfänglichen Ladestatus ansteigen, wenn der vollständig geladene Zustand erreicht ist, während andere Batterien bzw. Zellen noch zurückliegen. Das kann dann zu einer Überspannung an den Batterien bzw. Zellen mit dem anfänglich höchsten Ladezustand führen. Der BMS unterbricht dann den Ladevorgang.

Aus diesem Grund empfehlen wir, neue Batterien zunächst vollständig aufzuladen, bevor diese bei in Serie bzw. in parallelen in Serie geschalteten Konfigurationen verwendet werden.

Das wird am besten so gemacht, indem die Batterien auf niedrigem Niveau (C/20 oder niedriger) einzeln mit einem Ladegerät oder einem Stromversorgungsset bei 12,2 V bzw. 28,4 V geladen werden. Es wird eine mehrstündige Konstantspannungsphase bei 14,2 V bzw. 28,4 V empfohlen, um die Zellen voll auszugleichen.

Wird kein BMS verwendet, sollten die Batterien nur unter Aufsicht geladen werden, um bei einer Fehlfunktion einer Batterie den Ladevorgang zu stoppen.

Es ist auch möglich, die Batterien parallel anzuschließen und sie gleichzeitig zu laden. In diesem Fall muss jede der Batterien durch eine Sicherung geschützt werden. Die empfohlene Laderate liegt wieder bei C/20 oder niedriger. Dabei steht C für die Kapazität einer der parallel geschalteten Batterien.



4. Betrieb

4.1 Zellenausgleich und Alarme

Jede 12,8 V Batterie besteht aus vier in Reihe geschalteten Zellen und das interne Zellenausgleichssystem wird:

- die Spannung jeder Zelle messen und Ah von Zellen mit der höchsten Spannung in Zellen mit einer niedrigeren Spannung verlagern, bis die Spannungsdifferenz zwischen den Zellen unter 10 mV liegt (aktiver Ausgleich).
- einen Überspannungs- (Zellspannung > 3,75 V) oder einen Unterspannungs- (Zellspannung < 2,80 V) Alarm auslösen, der durch das BMS verarbeitet wird (siehe 4.3).
- einen Übertemperatur- ($T > 75^{\circ}\text{C}$) Alarm auslösen, der durch das BMS verarbeitet wird.
- Einen Untertemperatur- ($T < 5^{\circ}\text{C}$) Alarm auslösen, der durch das BMS verarbeitet wird (siehe 4.4).

Hinweis:

Es kann dazu kommen, dass die Zellen innerhalb der Batterie oder der in Reihe angeschlossener Batterien aufgrund von hohen Entladeströmen und kurzen Laderhaltungsspannungs-Perioden ins Ungleichgewicht geraten. Die verfügbare Batteriekapazität wird dann reduziert und es kann zu einem Überspannungs-Alarm kommen.

Führen Sie dann die im Abschnitt 3.2 beschriebenen Vorgänge durch, um die Batterien voll aufzuladen und auszugleichen.

4.2 Ladespannung

Empfohlene Ladespannung: 14 V-14,4 V pro Batterie (14,2 V empfohlen), bzw. 28 V-28,8 V (28,4 V empfohlen).

Konstantspannungsdauer: 2 h für eine 100 % Ladung, oder ein paar Minuten für eine 98 % Ladung.

Maximale Ladespannung: 14,4 V bzw. 28,8 V pro Batterie.

Empfohlene Lager-/Ladeerhaltungsspannung: 13,5 V bzw. 27 V pro Batterie.

Batterien müssen regelmäßig (mindestens einmal jeden Monat) auf 14 V (max. 14,4 V) aufgeladen werden, um die Zellen vollständig auszugleichen. Zwei oder vier in Serie geschaltete Batterien sollten regelmäßig auf 28 V bzw. 56 V aufgeladen werden.

4.3 Zellspannung für „Entladen zulassen“

Der Schwellwert, unter dem das Entladen der Batterie nicht zulässig ist liegt standardmäßig bei 2,8 V. Er lässt sich mit der VictronConnect App konfigurieren (Einstellungsbereich 2,6 V bis 2,8 V).

4.4 Mindesttemperatur für „Laden zulassen“

Der Schwellwert, bei dem ein Niedrigtemperatur-Alarm ausgelöst wird liegt standardmäßig bei 5° C. Er lässt sich mit der VictronConnect App konfigurieren (Einstellungsbereich -20 °C bis +20 °C).

Warnung: Wird dieser Temperaturwert unter 5 °C eingestellt, verfällt die Gewährleistung. Das dauerhafte Laden einer Lithium-Eisen-Phosphat-Batterie bei unter 5 °C beschädigt die Chemie und verringert die Kapazität.

4.5 Abweichung der Batterietemperatur

Die Temperatur der Batterie wird verwendet, um die Temperaturalarme auszulösen, Sie wird in der VictronConnect App angezeigt. Um die Genauigkeit der Temperaturmessung zu verbessern, wird sie intern kalibriert, nachdem die Batterie 4 Stunden lang inaktiv war (kein Ausgleich erfolgt).

Das Ergebnis dieser Kalibrierung ist eine Abweichung der Batterietemperatur, die als Nutzereinstellung in der VictronConnect App verfügbar ist (Einstellungsbereich - °C bis +10 °C). Dadurch kann die Batterietemperatur auch manuell korrigiert werden, sofern nötig.

Wird die Temperaturabweichung durch den Nutzer eingestellt, während gleichzeitig eine automatische Kalibrierung in Gang ist, wird diese automatische Kalibrierung abgebrochen. Es gilt der Wert, den der Nutzer einstellt.

4.6 Batterie-Management-System (BMS)

Es stehen zwei BMS zur Verarbeitung der Informationen von der Batterie zur Verfügung.

4.6.1 BMS 12/200

Das BMS 12/200 ist eine einfache Komplettlösung. Es ist nur für 12V Systeme geeignet.

Es enthält sämtliche in Abschnitt 4.1 beschriebenen Funktionen und verfügt außerdem noch über einen Strombegrenzer für Wechselstromgeneratoren. Weitere Einzelheiten hierzu finden Sie in dem zugehörigen Datenblatt und Handbuch auf unserer Website.



4.6.2 VE.Bus BMS

Dieses BMS ist für 12, 24 und 48V Systeme geeignet. Weitere Einzelheiten hierzu und Installationsbeispiele finden Sie in dem zugehörigen Datenblatt und Handbuch auf unserer Website.

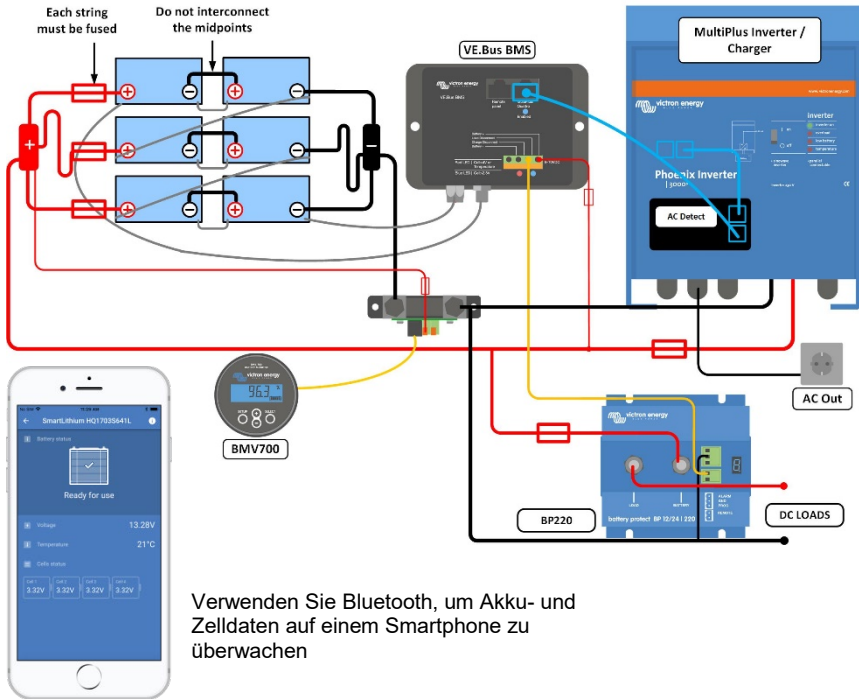


Abbildung 1: Systembeispiel mit VE.Bus BMS

1. Medidas y consejos de seguridad



No intente abrir o desmontar la batería de Li-Ion. El electrolito es muy corrosivo. En condiciones normales de trabajo, es imposible entrar en contacto con el electrolito. Si la carcasa de la batería estuviera dañada, no toque el electrolito o el polvo que contiene ya que es corrosivo.

1.1 Normas generales



Siga estas instrucciones y guárdelas a proximidad de la batería de Li-Ion para futura referencia.

Cualquier trabajo realizado sobre la batería de Li-Ion deberá llevarla a cabo personal cualificado exclusivamente.



Las descargas demasiado profundas dañan seriamente la batería de Li-Ion y pueden ser incluso peligrosas. Por lo tanto, el uso de un relé de seguridad externo es obligatorio.



Se deberá llevar ropa y gafas de protección cuando se trabaje en la batería de Li-Ion.



Las baterías de Li-Ion son muy pesadas. En caso de estar presentes en un accidente pueden convertirse en un proyectil! Asegúrese de que está bien sujeta y utilice siempre equipos de manipulación adecuados para su transporte. Trátelas con cuidado, ya que las baterías de Li-Ion son sensibles a los golpes.



Las salpicaduras en la piel o en los ojos de materiales de la batería, como polvo o electrolito, deberán enjuagarse con agua limpia abundante inmediatamente. A continuación, deberá solicitarse asistencia médica. Los derrames sobre la ropa deberán limpiarse con agua.



Si se carga después de haberse descargado por debajo de la Tensión de corte de descarga, o si estuviera dañada o sobrecargada, la batería de Li-Ion podría soltar una mezcla nociva de gases, como el fosfato.



Peligro de explosión e incendio. Los terminales de la batería de Li-Ion siempre tienen corriente, por lo que no se deben colocar objetos o herramientas sobre la misma. Evitar cortocircuitos, descargas demasiado profundas y corrientes de carga demasiado altas. Utilice herramientas aisladas. No lleve ningún objeto metálico, como relojes, pulseras, etc. En caso de incendio deberá usarse un extintor de espuma de tipo D o de CO₂.

El incumplimiento de las instrucciones de uso, las reparaciones realizadas con piezas no originales o por personal no autorizado anularán la garantía.

1.2 Advertencias sobre su transporte

La batería Li-Ion debe transportarse en su embalaje original o equivalente y en posición vertical.

Si la batería está en su embalaje, utilice eslingas acolchadas para evitar daños.

No se ponga debajo de una batería de Li-Ion cuando se esté izando. Nunca utilice los terminales para levantar la batería, utilice sólo las asas.



Las baterías se comprueban según el Manual de Pruebas y Criterios de la ONU, parte III, subsección 38.3

(ST/SG/AC.10/11/Rev.5).

Para su transporte, las baterías pertenecen a la categoría UN3480, Clase 9, Grupo de embalaje II y deberán transportarse según esta normativa. Esto significa que deberán embalarse para su transporte terrestre o marítimo (ADR, RID & IMDG) según las instrucciones de embalaje P903 y para transporte aéreo (IATA) según las instrucciones P965. El embalaje original cumple estas normativas.

1.3 Eliminación de las baterías Li-Ion

Las baterías marcadas con el símbolo de reciclaje deben eliminarse a través de una agencia de reciclaje acreditada. También pueden devolverse al fabricante llegando a un acuerdo con este. Las baterías no deben mezclarse con residuos domésticos o industriales.



No derramable

2 Información general sobre baterías de fosfato de hierro y litio

Las baterías de fosfato de hierro y litio (LiFePO₄ o LFP), son las baterías tradicionales de Li-Ion más seguras. La tensión nominal de una celda de LFP es de 3,2V (plomo-ácido: 2V/celda). Una batería LFP de 12,8V, por lo tanto, consiste de 4 celdas conectadas en serie; y una batería de 25,6V consiste de 8 celdas conectadas en serie.

2.1 Resistente

Una batería de plomo-ácido fallará prematuramente debido a la sulfatación si:

- funciona en modo de déficit durante largos periodos de tiempo (esto es, si la batería raramente o nunca está completamente cargada).
- Si se deja parcialmente descargada o, aún peor, completamente descargada.

Una batería LFP no necesita estar completamente cargada. Esta es una ventaja decisiva de las LFP en comparación con las de plomo-ácido. Otras ventajas son el amplio rango de temperaturas de trabajo, excelente rendimiento cíclico, baja resistencia interna y alta eficiencia (ver más abajo).

La composición química de las LFP son la elección adecuada para aplicaciones muy exigentes.

2.2 Eficiente

En varias aplicaciones (especialmente aplicaciones no conectadas a la red, solares y/o eólicas), la eficiencia energética puede llegar a ser de crucial importancia.

La eficiencia energética del ciclo completo (descarga de 100% a 0% y vuelta a cargar al 100%) de una batería de plomo-ácido normal es del 80%.

La eficiencia de ciclo completo de una batería LFP es del 92%.

El proceso de carga de las baterías de plomo-ácido se vuelve particularmente ineficiente cuando se alcanza el estado de carga del 80%, que resulta en eficiencias del 50% o incluso inferiores en sistemas solares en los que se necesitan reservas para varios días (baterías funcionando entre el 70% y el 100% de carga).

Por el contrario, una batería LFP seguirá logrando una eficiencia del 90% en condiciones de descarga leve.

2.3 Tamaño y peso

Ahorra hasta un 70% de espacio

Ahorra hasta un 70% de peso

2.4 Flexibilidad sin límites

Las baterías LFP son más fáciles de cargar que las de plomo-ácido. La tensión de carga puede variar entre 14V y 15V y 28V y 30V respectivamente (siempre y cuando ninguna celda está sometida a más de 4,2V), y no precisan estar completamente cargadas. Por lo tanto, se pueden conectar varias baterías en paralelo y no se producirá ningún daño si algunas baterías están más cargadas que otras.

2.5 ¿Por qué es esencial el sistema de gestión de baterías?

Datos importantes:

1. Una celda LFP fallará si la tensión sobre la misma desciende por debajo de 2,5V (nota: la recuperación es a veces posible aplicando una carga baja inferior a 0,1C).
2. Una celda LFP fallará si la tensión sobre la misma aumenta por encima de 4,2V.
3. Las celdas de una batería LFP no se autoequilibran al finalizar el ciclo de carga.

Las celdas de una batería no son idénticas al 100%. Por lo tanto, al finalizar un ciclo, algunas celdas se cargarán o descargarán completamente antes que otras. Las diferencias aumentarán si las celdas no se equilibran/ecualizan de vez en cuando.

En una batería de plomo-ácido, incluso después de que una o más celdas se hayan cargado completamente, seguirá fluyendo una pequeña cantidad de corriente (el principal efecto de esta corriente es la descomposición del agua en hidrógeno y oxígeno). Esta corriente ayuda a cargar completamente aquellas celdas que todavía no lo estén, ecualizando así el estado de carga de todas las celdas.

Sin embargo, la corriente que pasa a través de una celda LFP cuando está completamente cargada es casi nula, por lo que las celdas retrasadas no terminarán de cargarse completamente. Con el tiempo, las diferencias entre celdas pueden llegar a ser tan importantes que, aun cuando la tensión global de la batería esté dentro de los límites, algunas celdas fallarán debido a una sobre- o subtensión.

Todas nuestras baterías LFP llevan incorporado el equilibrado activo de las celdas.

Las funciones adicionales de un BMS son:

- Evitará la subtensión en las celdas desconectando la carga cuando sea necesario.
- Evitará la sobretensión en las celdas reduciendo la corriente de carga o deteniendo el proceso de carga.
- Desconectará el sistema en caso de sobrecalentamiento.
- Detendrá el proceso de carga de la batería en caso de baja temperatura.



Por lo tanto, un BMS es indispensable para evitar daños en baterías Li-Ion.

Advertencia importante

Las baterías de Li-ion son caras y pueden sufrir daños debido a una descarga o carga excesiva.

Pueden producirse daños debido a una descarga excesiva si las pequeñas cargas (por ejemplo, sistemas de alarmas, relés, corriente de espera de ciertas cargas, drenaje de corriente por parte de los cargadores de batería o reguladores de carga) descargan lentamente la batería cuando el sistema no está en uso.

En caso de cualquier duda sobre el posible consumo de corriente residual, aísla la batería abriendo el interruptor de la batería, quitando el fusible o fusibles de la batería o desconectando el positivo de la batería, cuando el sistema no está en uso.

La corriente de descarga residual es especialmente peligrosa si el sistema se ha descargado por completo y se ha producido una desconexión por baja tensión en las celdas. Después de la desconexión producida por la baja tensión en las celdas, aún queda en la batería una reserva de 1Ah por batería de 100Ah de capacidad aproximadamente. La batería quedará dañada si se extrae la reserva de capacidad que queda en la batería. Una corriente residual de 10mA por ejemplo, puede dañar una batería de 200Ah si el sistema se deja en estado de descarga durante más de 8 días.

EN

NL

FR

DE

ES

IT

3 Instalación

Nota: las baterías deben instalarse siempre en posición vertical.

Par máximo

Batería LiFePO4 12,8V/60Ah Smart: 10 Nm (M6)

Batería LiFePO4 12,8V/90Ah Smart: 14 Nm (M8)

Batería LiFePO4 12,8V/100Ah Smart: 10 Nm (M6)

Batería LiFePO4 12,8V/150Ah Smart: 10 Nm (M6)

Batería LiFePO4 12,8V/160Ah Smart: 14 Nm (M8)

Batería LiFePO4 12,8V/200Ah Smart: 40 Nm (M12)

Batería LiFePO4 12,8V/300Ah Smart: 40 Nm (M12)

Batería LiFePO4 25,6V/200Ah Smart: 14 Nm (M8)

3.1 Protección contra cortocircuitos

Instalación de una sola batería

La batería debe ir protegida con un fusible.

La batería debe estar conectada a un BMS.

Conexión en serie

Se pueden conectar en serie hasta cuatro baterías de 12,8 V o hasta dos de 25,6 V.

Estas deberán conectarse a un BMS.

La cadena de baterías deberá protegerse con un fusible.

Conexión en paralelo o en serie-paralelo

Se pueden conectar en paralelo hasta cinco baterías o cadenas de baterías.

Estas deberán conectarse a un BMS.

Cada batería o cadena de baterías deberá protegerse con un fusible, ver figura 1.

No interconecte la batería intermedia a las conexiones de batería de dos o más cadenas de baterías en paralelo.

3.2 Cargar las baterías antes de su uso

En el momento de su envío, las baterías están cargadas al 50% aproximadamente.

Al cargar baterías conectadas en serie, la tensión de las baterías o celdas con el estado de carga inicial más alto llegarán antes al estado de carga completa, dejando atrás las baterías o celdas con un estado de carga inicial inferior. Esto podría resultar en una sobretensión de las baterías o celdas más con el estado de carga inicial más alto, por lo que el BMS interrumpiría el proceso de carga.

Por lo tanto, recomendamos cargar las baterías nuevas completamente antes de incluirlas en una configuración en serie o en serie-paralelo.

Esto puede llevarse a cabo cargando las baterías individualmente a un ritmo bajo (C/20 o inferior) con un cargador o una fuente de alimentación a 14,2V o



28,4V respectivamente. Para equilibrar completamente las celdas se recomienda un periodo de absorción de varias horas a 14,2V o 28,4V respectivamente.

Si no se utiliza un BMS, lleve a cabo la carga siempre con alguna persona presente que pueda detener el proceso de carga en caso de que se produzca un mal funcionamiento de la batería.

También es posible conectar las baterías en paralelo y cargarlas simultáneamente. En este caso, cada batería deberá ir protegida por un fusible y el ritmo de carga también sería de C/20 o inferior, siendo C la capacidad de una de las baterías conectadas en paralelo.

EN

NL

FR

DE

ES

IT



4 Funcionamiento

4.1 Equilibrado de celdas y alarmas

Cada batería de 12,8V se compone de cuatro celdas conectadas en serie, y el sistema interno de equilibrado de celdas:

- a) Medirá la tensión de cada celda y desplazará los Ah de las celdas con la tensión más alta a las celdas con la tensión más baja hasta que la diferencia de tensión entre las celdas sea inferior a 10mV (equilibrado activo).
- b) Envió una alarma de sobretensión (tensión de la celda > 3,75V) o subtensión (tensión de la celda < 2,80V) al BMS para su procesamiento (véase 4.3)..
- c) Envió una alarma de sobretemperatura ($T > 75^{\circ}\text{C}$) al BMS para su procesamiento.
- d) Envió una alarma de temperatura baja ($T < 5^{\circ}\text{C}$) al BMS para su procesamiento (véase 4.4).

Nota:

Las celdas de una batería conectada en serie a otras baterías pueden desequilibrarse debido a las posibles altas corrientes de descarga y cortos periodos de carga de flotación.

La capacidad disponible de la batería se verá reducida, lo que podría provocar una alarma por sobretensión.

Aplicar los procedimientos descritos en la sección 3.2 para cargar y equilibrar completamente las baterías.

4.2 Tensión de carga

Tensión de carga recomendada: 14V-14,4V por batería (se recomienda 14,2V), o 28V-28,8V respectivamente (se recomienda 28,4V).

Tiempo de absorción: 2 horas para una carga del 100%, o unos cuantos minutos para una carga del 98%.

Tensión máxima de carga: 14,4V o 28,8V respectivamente por batería.

Tensión de almacenamiento/flotación recomendada: 13,5V o 27V respectivamente por batería.

Las baterías deben cargarse periódicamente (al menos una vez al mes) hasta alcanzar los 14V (máx. 14,4V) para un equilibrado total de las celdas. Dos o cuatro baterías en serie deben cargarse periódicamente hasta alcanzar los 28V y 56V respectivamente.

4.3 Tensión de la celda para que se permita la descarga

El límite por debajo del cual no se permite descargar la batería es 2,8V por defecto y se puede ajustar en la aplicación de VictronConnect (rango de 2,6V a 2,8V).

4.4 Temperatura mínima para que se permita la carga

El límite por debajo del cual se activa una alarma de baja temperatura es de 5°C por defecto y se puede ajustar en la aplicación de VictronConnect (rango de -20°C a $+20^{\circ}\text{C}$).



Advertencia: si se fija esta temperatura por debajo de 5°C, la garantía queda anulada. Cargar una batería de fosfato de hierro y litio por debajo de 5°C daña de forma permanente la química y, por lo tanto, se reduce su capacidad.

4.5 Compensación de temperatura de la batería

La temperatura de la batería se usa para activar las alarmas de temperatura y se muestra en la aplicación VictronConnect. Para mejorar la precisión de la medición de la temperatura, se calibra internamente cuando la batería ha estado inactiva (no se ha realizado equilibrado) durante 4 horas.

El resultado de esta calibración es una compensación de la temperatura de la batería, que está disponible como ajuste del usuario en la aplicación VictronConnect (rango de -10°C a +10°C). Esto también permite la corrección manual de la temperatura de la batería, si fuera necesario.

Si el usuario fija la compensación de temperatura mientras hay una calibración automática en proceso, la calibración automática se anulará. Y el valor fijado por el usuario será el efectivo.

4.6 Sistema de gestión de baterías (BMS)

Para procesar la información proveniente de la batería existen dos BMS distintos.

4.6.1 BMS 12/200

El BMS 12/200 es una sencilla solución todo-en-uno pensada para sólo para sistemas de 12V.

Incluye todas las funciones descritas en la sección 4.1, además de un limitador de corriente de alternador.

Para más información, consulte la ficha técnica y el manual en nuestro sitio web.

4.6.2 VE.Bus BMS

Este BMS está pensado para sistemas de 12, 24 y 48V.

Para más información y ejemplos de instalación, consulte la ficha técnica y el manual en nuestro sitio web.

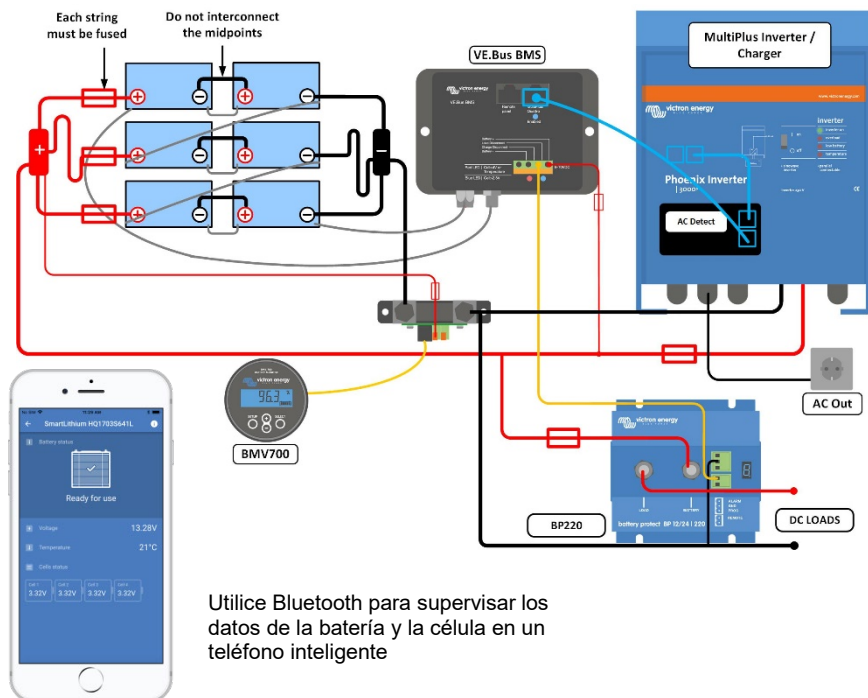


Figura 1: Ejemplo de sistema con el BMS del VE.BUS

1 Diretrici e misure di sicurezza

1.1 Regole generali



Seguire queste istruzioni e conservarle in un luogo vicino alla Batteria agli ioni di litio per future consultazioni. Gli interventi sulla Batteria agli ioni di litio devono essere eseguiti solamente da personale qualificato.



Durante gli interventi sulla Batteria agli ioni di litio indossare occhiali e indumenti di protezione.



Se i materiali esposti della batteria, come l'elettrolito o la polvere, entrano in contatto con la pelle o con gli occhi, lavare immediatamente la parte con abbondante acqua pulita. Poi rivolgersi a un medico. Gli spruzzi che colpiscono gli indumenti devono essere sciacquati con acqua.



Pericolo di esplosione e di incendio. I morsetti della Batteria agli ioni di litio sono sempre in tensione, pertanto non collocare oggetti o strumenti sulla Batteria agli ioni di litio. Evitare cortocircuiti, scariche troppo profonde e correnti di carica troppo alte. Usare utensili isolati. Non indossare oggetti metallici, come orologi, braccialetti, eccetera. In caso di incendio, utilizzare un estintore di tipo D, a schiuma o a CO2.



Non tentare mai di aprire o smontare la Batteria agli ioni di



litio. L'elettrolita è molto corrosivo. In normali condizioni operative, è impossibile entrare in contatto con l'elettrolita. Se la carcassa della batteria è danneggiata, non toccare l'elettrolita o la polvere esposti, giacché sono molto corrosivi.



Le scariche troppo profonde danneggiano seriamente la Batteria agli ioni di litio e possono persino essere pericolose. Di conseguenza, è obbligatorio utilizzare un relè di sicurezza esterno.



Le Batterie agli ioni di litio sono pesanti. Se si dovesse verificare un incidente si possono trasformare in un proiettile! Assicurarsi di eseguire un montaggio adeguato e sicuro e utilizzare sempre le opportune attrezzature di movimentazione. Maneggiare con cura, giacché le Batterie agli ioni di litio sono sensibili agli urti meccanici.

Se caricata dopo una scarica al di sotto della Tensione di taglio, o se danneggiata o sovraccaricata, la batteria agli ioni di litio può rilasciare miscele di gas nocive, come il fosfato.

Il non rispetto delle istruzioni di funzionamento, l'esecuzione di riparazioni con parti non originali o di riparazioni senza autorizzazione, sono motivi di annullamento della garanzia.

1.2 Avvertenze per il trasporto

Le batterie agli ioni di litio devono essere trasportate nel loro imballaggio originale, o in uno equivalente, e in posizione verticale.

Se la batteria possiede il suo imballaggio, utilizzare cinghie morbide per evitare danni.

Non sostare sotto una batteria agli ioni di litio quando viene sollevata. Non sollevare mai la batteria mediante i morsetti, ma solamente mediante le maniglie.

Le batterie sono state testate conformemente al Manuale delle Prove e dei Criteri delle Nazioni Unite, parte III, sottosezione 38.3 (ST/SG/AC.10/11/Rev.5).

Per il trasporto delle batterie, fare riferimento alla categoria UN3480, Classe 9, Gruppo di Imballaggio II ed eseguire il trasporto conformemente a tale regolamento. Ciò significa che, per il trasporto via terra e via mare (ADR, RID e IMDG), devono essere imballate conformemente alle istruzioni di imballaggio P903 e, per il trasporto aereo (IATA), conformemente alle istruzioni di imballaggio P965. L'imballaggio originale soddisfa i requisiti di tali istruzioni.



1.3 Smaltimento delle batterie agli ioni di litio

Le batterie che presentano il simbolo del riciclaggio devono essere smaltite tramite un ente per il riciclaggio riconosciuto. Previo accordo, possono essere restituite al produttore. Le batterie non devono essere gettate nei rifiuti domestici o industriali.



Ermetiche

2 Informazioni generali sulle batterie litio ferro fosfato

Le batterie al litio ferro fosfato (LiFePO₄ o LFP) sono le più sicure tra le tradizionali batterie agli ioni di litio. La tensione nominale di una cella LFP è di 3,2 V (piombo acido: 2V/cella). Una batteria LFP da 12,8V è quindi formata da 4 celle collegate in serie; una da 25,6V, invece, da 8 celle collegate in serie.

2.1 Robuste

Una batteria al piombo acido smette di funzionare prematuramente per solfatazione se:

- lavora per lunghi periodi di tempo in modalità deficitaria (ossia, la batteria non è mai completamente carica o lo è molto raramente).
- se rimane parzialmente carica o, ancor peggio, completamente scarica.

Una batteria LFP non ha bisogno di essere completamente carica. Questo è uno dei vantaggi principali delle batterie LFP rispetto alle batterie al piombo acido. Altri vantaggi sono l'ampio intervallo della temperatura di esercizio, le eccellenti prestazioni del ciclo di carica, la bassa resistenza interna e l'elevata efficienza (vedi sotto).

Il LFP è pertanto la soluzione chimica da scegliere per applicazioni che richiedono prestazioni elevate.

2.2 Efficienti

In svariate applicazioni (soprattutto di tipo solare e/o eolico fuori rete), l'efficienza energetica può essere di cruciale importanza.

L'efficienza energetica di un ciclo completo (scarica da 100% a 0% e ricarica fino al 100%) per le normali batterie al piombo acido è dell'80%.

L'efficienza energetica del ciclo completo di una batteria LFP è del 92%.

Il processo di carica delle batterie al piombo acido diventa particolarmente inefficiente quando si raggiunge l'80% dello stato di carica, con efficienza pari al 50% o anche meno nei sistemi solari che richiedono energia di riserva per vari giorni (batteria in funzionamento con stato di carica dal 70% al 100%).

Una batteria LFP, invece, raggiungerà un'efficienza ancora pari al 90% in condizioni di scarica ridotta.

2.3 Dimensioni e peso

Fino al 70% di spazio in meno

Fino al 70% di peso in meno

2.4 Flessibilità senza limiti

Rispetto alle batterie al piombo acido, le batterie LFP sono più facili da caricare. La tensione di carica può variare da 14V a 15V e da 28V a 30V, rispettivamente (purché nessuna cella sia sottoposta a più di 4,2V), e non c'è alcuna necessità di raggiungere la carica completa. Ciò permette di collegare svariate batterie in parallelo senza il rischio di danni, nel caso in cui alcune batterie siano meno cariche di altre.

2.5 Perché è essenziale un Sistema di gestione della batteria

Questioni rilevanti:

4. Una cella LFP subisce un guasto se la tensione della cella scende al di sotto dei 2,5V (nota: a volte è possibile recuperarla caricandola con una corrente bassa, inferiore a 0,1 C).
5. Una cella LFP subisce un guasto se la tensione della cella supera i 4,2V.
6. Le celle di una batteria LFP non si bilanciano autonomamente al termine del ciclo di carica.

Le celle di una batteria non sono mai identiche al 100%. Quindi, durante il ciclo, alcune celle raggiungono lo stato di piena carica o scarica prima di altre. Le differenze aumenteranno se le celle non vengono periodicamente bilanciate/equalizzate.

In una batteria al piombo acido una minima quantità di corrente continuerà a circolare anche dopo il completo caricamento di una o più celle (l'effetto principale causato da tale corrente è la scomposizione dell'acqua in ossigeno e idrogeno). Questa corrente agevola la carica completa delle altre celle ancora non cariche, equalizzando quindi lo stato di carica di tutte quante.

Tuttavia, la corrente che attraversa una cella LFP totalmente carica è vicina allo zero e pertanto le celle non ancora pronte non verranno caricate completamente. Le differenze tra le celle potrebbero diventare così elevate nel tempo, da provocare il guasto di alcune celle a causa di sovratensioni o sottotensioni, anche se la tensione complessiva della batteria rimane entro i limiti. Il bilanciamento delle celle attive è integrato in tutte le batterie LFP.

Le funzioni aggiuntive di un BMS sono:

- Impedisce la sottotensione della cella, scollegando tempestivamente il carico.
- Impedisce la sovratensione della cella, riducendo la corrente di carica o interrompendo il processo di caricamento.
- Spegne il sistema in caso di sovratemperatura.
- Spegne il sistema in caso di raffreddamento.

Per questo motivo, un BMS è indispensabile per impedire il danneggiamento delle batterie agli ioni di litio.

Avvertenze importanti

Le batterie agli ioni di litio sono care e possono essere danneggiate da un eccesso di carica o di scarica.

I danni dovuti a eccesso di scarica si possono verificare se piccoli carichi (come: sistemi di allarme, relè, corrente di standby di alcuni carichi, perdite di corrente dei caricabatterie o dei regolatori di carica) scaricano lentamente la batteria quando il sistema non è in uso.

In caso di dubbi riguardo la corrente residuale assorbita, isolare la batteria aprendo l'interruttore della stessa e tirando i fusibili/e della batteria o scollegando il polo positivo della batteria quando il sistema non è in uso.



Una corrente di scarica residuale è particolarmente pericolosa se il sistema è stato completamente scaricato e si è verificato uno spegnimento dovuto alla bassa tensione della cella. Dopo uno spegnimento dovuto a bassa tensione della cella, nella batteria rimane una riserva di capacità di circa 1A per ogni 100A di capacità. La batteria si danneggerà se la riserva di capacità rimanente è estratta dalla batteria. Una corrente residuale di 10mA, ad esempio, può danneggiare una batteria da 200A se il sistema rimane scarico per oltre 8 giorni.

3 Installazione

Nota: Le batterie devono essere sempre installate in posizione verticale.

Coppia massima

Batterie LiFePO4 Smart da 12,8V/60A: 10 Nm (M6)

Batterie LiFePO4 Smart da 12,8V/90A: 14 Nm (M8)

Batterie LiFePO4 Smart da 12,8V/100A: 10 Nm (M6)

Batterie LiFePO4 Smart da 12,8V/150A: 10 Nm (M6)

Batterie LiFePO4 Smart da 12,8V/160A: 14 Nm (M8)

Batterie LiFePO4 Smart da 12,8V/200A: 40 Nm (M12)

Batterie LiFePO4 Smart da 12,8V/300A: 40 Nm (M12)

Batterie LiFePO4 Smart da 25,6V/200A: 14 Nm (M8)

3.1 Protezione contro il cortocircuito

Installazione di una sola batteria

La batteria deve essere protetta da un fusibile.

La batteria deve essere collegata a un BMS.

Collegamento in serie

Si possono collegare in serie fino a quattro batterie da 12,8V o fino a due batterie da 25,6A.

La batteria deve essere collegata a un BMS.

La successione di batterie deve essere protetta da un fusibile.

Collegamento in parallelo o in serie-parallelo

Si possono collegare in parallelo fino a cinque batterie o successioni di batterie.

La batteria deve essere collegata a un BMS.

Ogni batteria o successione di batterie deve essere protetta da un fusibile, vedere figura 1.

Non collegare la batteria intermedia alle connessioni di due o più successioni parallele di batterie.

3.2 Caricamento della batterie prima dell'uso

Quando si inviano, le batterie hanno una carica di circa il 50%. Quando si caricano batterie collegate in serie, la tensione delle stesse o delle celle con il più alto stato iniziale di carica aumenterà quando si raggiunga lo stato di carica completa, mentre altre batterie o celle potrebbero tardare di più. Ciò potrebbe derivare in una sovratensione nelle batterie o nelle celle con il più alto stato iniziale di carica e il processo di ricarica sarebbe interrotto dal BMS.

Pertanto, le batterie nuove devono essere completamente ricaricate prima di utilizzarle in una configurazione in serie o in serie-parallelo.

È preferibile eseguire tale operazione ricaricando le singole batterie a bassa intensità (C/20 o inferiore) con un caricabatterie o un'alimentazione di rete da 14,2V e 28,4V rispettivamente. Per bilanciare le celle, è raccomandabile un periodo di assorbimento di varie ore a 14,2V e 28,4V rispettivamente.

Se non si utilizza alcun BMS, ricaricare solamente quando sia presente un supervisore che possa arrestare il processo di carica in caso di malfunzionamento di una batteria.

È anche possibile collegare in parallelo le batterie e ricaricarle contemporaneamente. In questo caso, ogni batteria deve essere protetta da un fusibile e l'intensità di carica raccomandata è anche in questo caso di C/20 o inferiore, dove C è la capacità di una delle batterie collegate in parallelo.

4 Funzionamento

4.1 Bilanciamento celle e allarmi

Ogni batteria da 12,8V è formata da una serie di celle collegate; il sistema interno di bilanciamento:

- e) Misura la tensione di ogni cella e sposta gli A dalle celle con tensione più alta a quelle con tensione più bassa, finché la differenza di tensione fra le celle diventa inferiore a 10mV (bilanciamento attivo).
- f) Invia un allarme di sovratensione (tensione cella > 3,75V) o di sottotensione (tensione cella < 2,80V) al BMS (vedere 4.3).
- g) Invia un allarme di surriscaldamento ($T > 75^{\circ}\text{C}$) al BMS.
- h) Invia un allarme di temperatura bassa ($T < 5^{\circ}\text{C}$) al BMS (vedere 4.4).

Nota:

Le celle di una batteria o delle batterie collegate in serie possono sbilanciarsi in seguito a correnti di scarica e corti periodi di carica di mantenimento.

La capacità disponibile delle batterie si ridurrà e si potrebbe verificare un allarme di sovratensione della cella.

Eseguire le procedure descritte nella sezione 3.2 per caricare completamente e bilanciare le batterie.



4.2 Tensione di carica

Tensione di carica raccomandata: rispettivamente 14V-14,4V (si raccomanda 14,2V) e 28V-28,4V (si raccomanda 28,4V) per ogni batteria.

Tempo di assorbimento: 2 ore per una carica al 100% o pochi minuti per una carica al 98%.

Massima tensione di carica: Rispettivamente 14,4V e 28,4V per batteria.

Tensione di mantenimento/accumulo raccomandata: Rispettivamente 13,5V e 27V per batteria.

Le batterie devono essere periodicamente (almeno una volta al mese) ricaricate a 14V (max. 14,4V), per bilanciare completamente le celle. Due o quattro batterie in serie devono essere ricaricate regolarmente, rispettivamente a 28V e 56V.

4.3 Tensione della cella consentita per la scarica

Per difetto, la soglia sotto la quale non è consentito scaricare le batterie è di 2,8V ed è configurabile nella app VictronConnect (intervallo da 2,6V a 2,8V).

4.4 Temperatura minima consentita per la carica

Per difetto, la soglia sotto la quale scatta un allarme di bassa temperatura è di 5°C ed è configurabile nella app VictronConnect (intervallo da -20°C a +20°C).

Avvertenza: l'impostazione di tale temperatura al di sotto dei 5°C annulla la garanzia. Ricaricare costantemente una batteria litio ferro fosfato al di sotto dei 5°C ne danneggia la chimica e ne riduce la capacità.

4.5 Compensazione della temperatura batteria

La temperatura della batteria serve per far saltare gli allarmi temperatura e si può vedere nella app VictronConnect. Per migliorare la precisione della misurazione della temperatura, questa è calibrata internamente quando la batteria rimane a riposo (non si eseguono bilanciamenti) per 4 ore.

Il risultato di tale calibrazione è una compensazione della temperatura, disponibile nelle impostazioni utente della app VictronConnect (intervallo da -10°C a +10°C). Ciò consente anche la correzione manuale della temperatura della batteria, se necessaria.

4.6 Sistema di gestione della batteria (BMS)

Sono disponibili due BMS per elaborare le informazioni delle batterie.

4.6.1 BMS 12/200

Il BMS 12/200 è una semplice soluzione tutto in uno, pensata solamente per sistemi da 12V.

Comprende tutte le funzioni descritte nella sezione 4.1, oltre a un limitatore di corrente dell'alternatore.

Per i dettagli, vedere le schede tecniche e il manuale nel nostro sito web.

4.6.2 BMS VE.Bus

Questo BMS è indicato per sistemi da 12, 24 e 48V.

Per i dettagli e gli esempi di installazione, vedere le schede tecniche e il manuale nel nostro sito web.

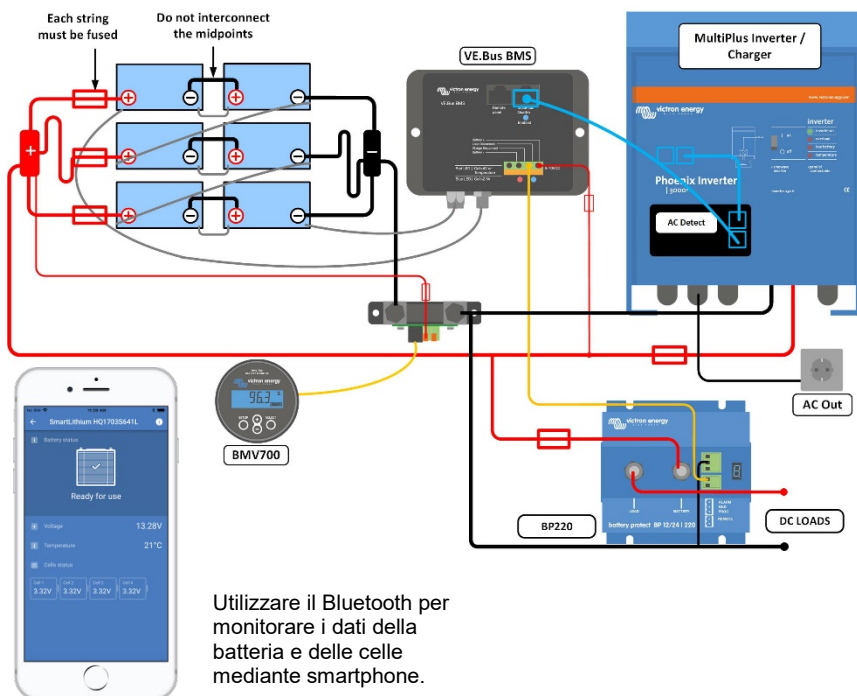


Figura 1: Esempio di sistema per BMS VE.Bus

Victron Energy Blue Power

Distributor:

Serial number:

Version : 11

Date : March 6th, 2019

Victron Energy B.V.
De Paal 35 | 1351 JG Almere
PO Box 50016 | 1305 AA Almere | The Netherlands

General phone : +31 (0)36 535 97 00
E-mail : sales@victronenergy.com

www.victronenergy.com

