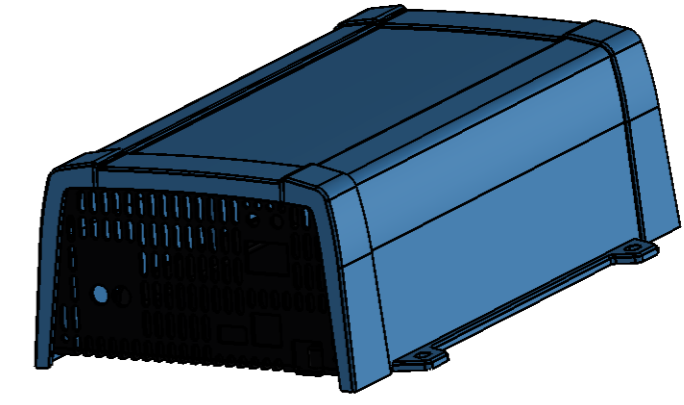
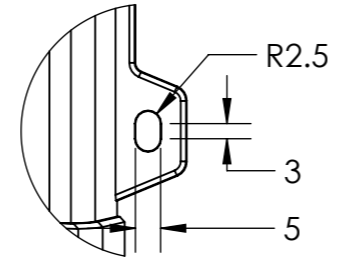
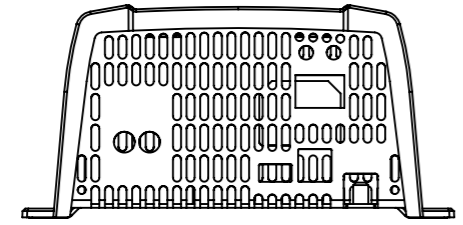
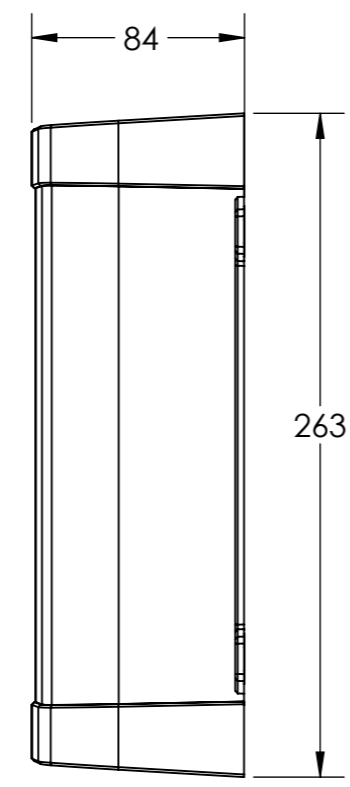
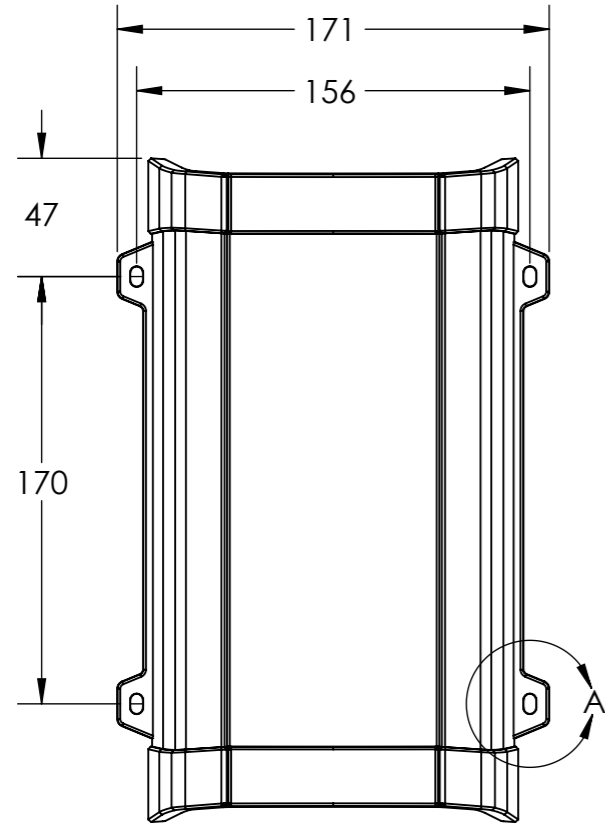


Dimension Drawing - Phoenix Inverter

PIN125010100	Phoenix Inverter 12/500 230V VE.Direct IEC
PIN125010200	Phoenix Inverter 12/500 230V VE.Direct SCHUKO
PIN125010300	Phoenix Inverter 12/500 230V VE.Direct AU/NZ
PIN125010400	Phoenix Inverter 12/500 230V VE.Direct UK
PIN125010500	Phoenix Inverter 12/500 120V VE.Direct NEMA 5-15R
PIN245010100	Phoenix Inverter 24/500 230V VE.Direct IEC
PIN245010200	Phoenix Inverter 24/500 230V VE.Direct SCHUKO
PIN245010300	Phoenix Inverter 24/500 230V VE.Direct AU/NZ
PIN245010400	Phoenix Inverter 24/500 230V VE.Direct UK
PIN245010500	Phoenix Inverter 24/500 120V VE.Direct NEMA 5-15R
PIN485010100	Phoenix Inverter 48/500 230V VE.Direct IEC
PIN485010200	Phoenix Inverter 48/500 230V VE.Direct SCHUKO
PIN485010300	Phoenix Inverter 48/500 230V VE.Direct AU/NZ
PIN485010400	Phoenix Inverter 48/500 230V VE.Direct UK
PIN485010500	Phoenix Inverter 48/500 120V VE.Direct NEMA 5-15R



Dimensions in mm

