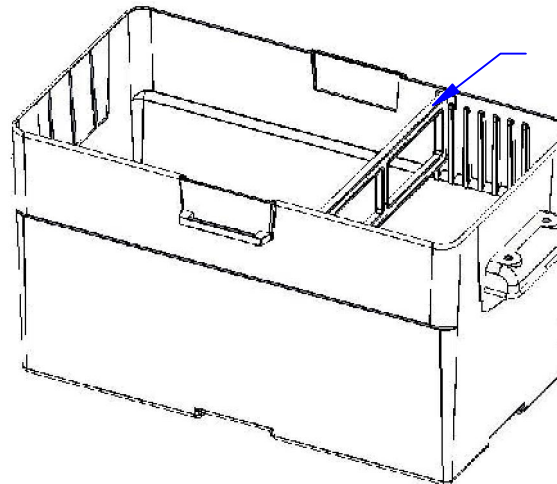
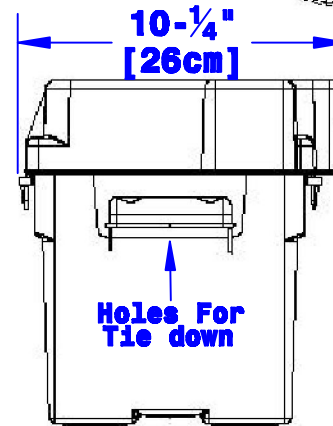
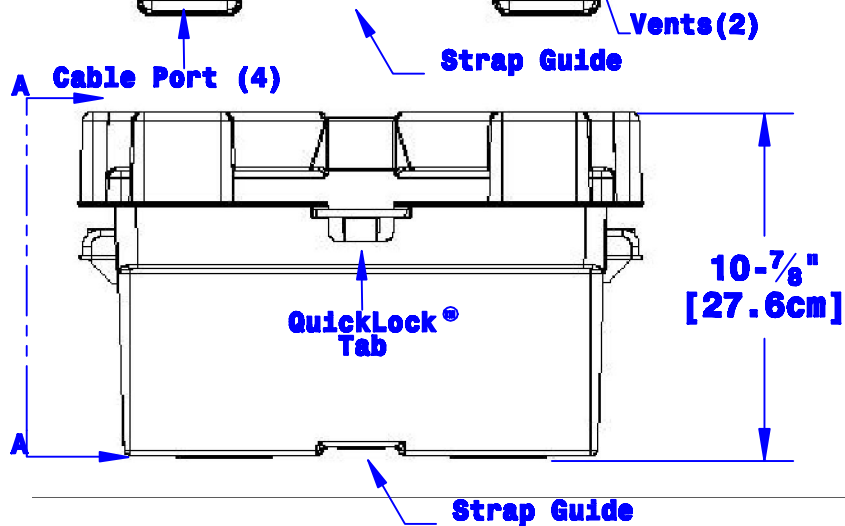


17-³/₄"
[45.1cm]



**Removable Divider
Adjustable From
10" to 14-¹/₂"
In ¹/₂" Increments**



View A-A

**Features:
Asymmetrical Cover
Designed to Shed Water
Leak Proof Box With Handles
Molded in Safety Warnings**

**Inside Dimensions
14-¹/₂" X 7-¹/₄" X 10-³/₈"
[36.8cm x 18.4cm X 26.3cm]**

Property of QUICKCABLE® 3700 Quick Drive Franksville, WI 53126 U.S.A. www.quickcable.com	TITLE Battery Box Group 24-31	
	PART # 120173	
Confidential and Proprietary Information		
Material & Treatment Black Molded Polypropylene	Drawing # 120173-Info	REV A
	Sheet 1 of 1	

Rev	Date	ECN#	By	Description	Drawn By	Date	Checked By	Scale
A	3/19/09	1902	BS	Update Design	Bill S	03-05-09	Mike E	None
					Tolerances, unless otherwise noted Dimensions are Reference Only			