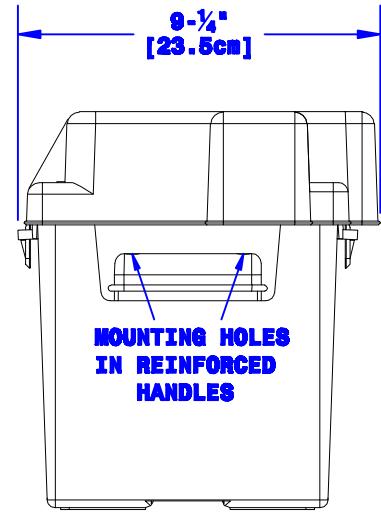
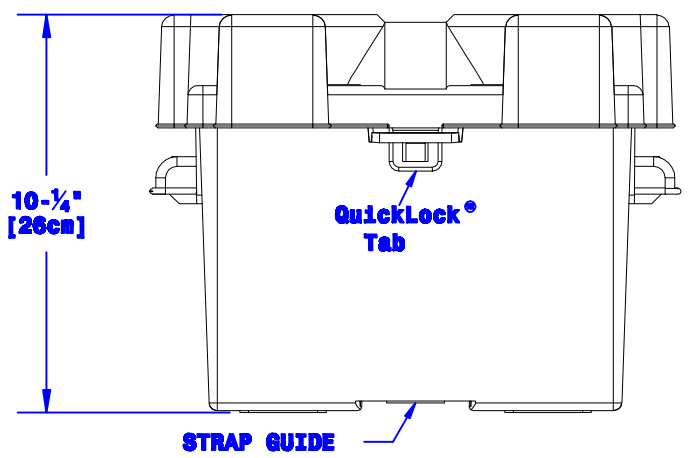


FEATURES:
ASYMETRICAL COVER
DESIGNED TO SHED WATER
LEAK PROOF BOX WITH HANDLES
MOLDED IN SAFETY WARNINGS

INSIDE CLEARANCE:
10-1/2" X 7" X 9-3/4" (B)
[26.7cm x 17.8cm x 24.8cm]



Property of QUICKCABLE®		TITLE BATTERY BOX GROUP 24	
3700 Quick Drive Franksville, WI 53126 U.S.A. www.quickcable.com		PART # 120171	
Material & Treatment BLACK MOLDED POLYPROPYLENE		Drawing # 120171-Info	
Tolerances, unless otherwise noted Dimensions are reference only		REV B Sheet 1 of 1	

Rev	Date	ECN#	By	Description	Drawn By	Date	Checked By	Scale
B	02-15-11	2127	JMH	Was 9-1/4"	Bill S	03-17-09	Mike E	None
A	3/17/09	1787	RS	Redesigned Battery Box				