

COPPER LUGS AND LINKS

Carroll Cable Lugs and Links

Manufactured from fully annealed, 99.95% pure high conductivity copper and are electro-tin plated for superior corrosion resistance. Carroll lugs also include crimp lines for improved accuracy during installation.

Features

- 99.95% pure electrolytic copper
- Electrical conductivity 99.7% IACS
- Oxygen content 30 ppm max
- Fully annealed
- 5-10 Micron, 99.9% pure tin plating
- Operating temperature range of -55 to 155°C
- Conformance standards: AS/NZS 4325 - Part 1.
- Lug sizes 10 to 630mm² are supplied bell mouth as standard
- All other sizes are straight barrel type
- Printed crimp line marks for added guidance
- Inspection window to assist with cable insertion

Carroll Circuit Breaker / Narrow Palm Lugs

Palm widths of standard copper lugs are too wide to fit 150 - 250A circuit breakers. Carroll has a comprehensive range of circuit breaker lugs which also feature a convenient bell mouth to facilitate easy insertion of flexible cables. These lugs utilise standard barrel dimensions, normal crimping rules using standard tools and crimp dies apply.

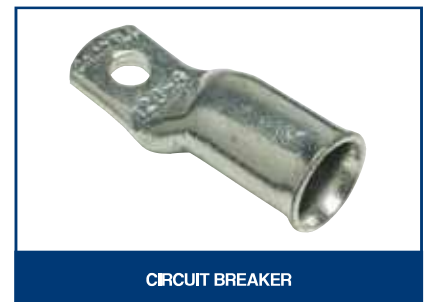
Carroll Long Palm-Long Barrel Lugs

Carroll Long Palm-Long Barrel Lugs are designed to accommodate two bolt mounting for secure termination. The longer barrel allows improved surface area for heatshrink sealing and multiple crimps if desired.

- Sizes 300mm² and above are supplied blank.
- Designed to be crimped with standard hexagonal dies and tooling.

Carroll Aluminium Bi-Metal Terminals

Aluminium/Copper Bi-metal terminals are used for connecting aluminium cables to copper busbars. Constructed with forged circular copper palm and friction welded to an EC grade aluminium circular barrel thus achieving the best possible transition Bi-Metals require.



COPPER LUGS AND LINKS

Copper Cable Lugs

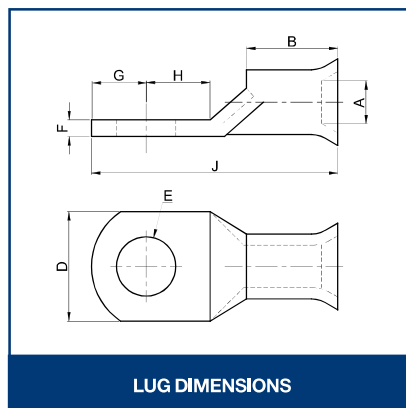
Carroll copper lugs and links are manufactured from fully annealed, 99.95% pure high conductivity copper and are electro-tin plated for superior corrosion resistance. Carroll lugs also include crimp lines for improved accuracy during installation.

PART NO.	BARREL TYPE	WIRE SIZE mm ²	DIMENSIONS mm								PACK QTY
			Ø STUD E	I.D. A	PALM WIDTH D	PALM THICKNESS F	BARREL LENGTH B	H	G	LENGTH J	
CUL1.5-5	Straight	1.5	5	1.8	8	1	7	5	4	18	100
CUL1.5-6	Straight	1.5	6	1.8	10	0.8	7	6	4	19	100
CUL2.5-4	Straight	2.5	4	2.4	8	1	8	5	4	19	100
CUL2.5-5	Straight	2.5	5	2.4	10	0.8	8	6	5	21	100
CUL2.5-6	Straight	2.5	6	2.4	10	0.8	8	6	5	21	100
CUL2.5-8	Straight	2.5	8	2.4	12	0.6	8	9	6	26	100
CUL4-5	Straight	4.0	5	3.1	10	1	9	6	5	22	100
CUL4-6	Straight	4.0	6	3.1	10	1	9	6	5	22	100
CUL4-8	Straight	4.0	8	3.1	12	0.88	9	9	6	27	100
CUL4-10	Straight	4.0	10	3.1	15	0.7	9	11	8	32	100
CUL6-5	Straight	6.0	5	3.8	10	1.24	9	6	5	23	100
CUL6-6	Straight	6.0	6	3.8	12	1	9	9	6	27	100
CUL6-8	Straight	6.0	8	3.8	12	1	10	9	6	28	100
CUL6-10	Straight	6.0	10	3.8	15	1	10	11	8	32	100
CUL10-5	Bell Mouth	10.0	5	4.7	12	1.8	10	7	6	27	100
CUL10-6	Bell Mouth	10.0	6	4.7	12	1.8	10	7	6	27	100
CUL10-8	Bell Mouth	10.0	8	4.7	14	1.6	10	8	7	29	100
CUL10-10	Bell Mouth	10.0	10	4.7	15	1.5	10	10	8	32	100
CUL10-12	Bell Mouth	10.0	12	4.7	18	1	11	13	10	38	100
CUL16-6	Bell Mouth	16.0	6	5.5	11	2.4	19	9	7	39	50
CUL16-8	Bell Mouth	16.0	8	5.5	14	1.7	19	9	7	39	50
CUL16-10	Bell Mouth	16.0	10	5.5	16	1.5	19	10	8	41	50
CUL16-12	Bell Mouth	16.0	12	5.5	18	1.4	19	13	10	46	50
CUL25-6	Bell Mouth	25.0	6	7.1	13.5	2.4	21	9	7	41	50
CUL25-8	Bell Mouth	25.0	8	7.1	13.5	2.4	21	9	7	41	50
CUL25-10	Bell Mouth	25.0	10	7.1	16	1.96	21	10	9	44	50
CUL25-12	Bell Mouth	25.0	12	7.1	18	1.74	21	13	10	48	50
CUL35-6	Bell Mouth	35.0	6	8.4	16	3	21	10	9	45	50
CUL35-8	Bell Mouth	35.0	8	8.4	16	3	21	10	9	45	50
CUL35-10	Bell Mouth	35.0	10	8.4	18	2.6	21	10	9	45	50
CUL35-12	Bell Mouth	35.0	12	8.4	20	2.42	22	13	11	51	50
CUL50-6	Bell Mouth	50.0	6	9.5	18	3.2	22	10	8	46	50
CUL50-8	Bell Mouth	50.0	8	9.5	18	3.2	22	10	8	46	50
CUL50-10	Bell Mouth	50.0	10	9.5	18	3.2	22	10	8	46	50
CUL50-12	Bell Mouth	50.0	12	9.5	21	2.7	22	13	11	54	50
CUL70-6	Bell Mouth	70.0	6	11.3	21	3.2	24	13	11	54	25
CUL70-8	Bell Mouth	70.0	8	11.3	21	3.2	24	13	11	54	25
CUL70-10	Bell Mouth	70.0	10	11.3	21	3.2	24	13	11	54	25
CUL70-12	Bell Mouth	70.0	12	11.3	21	3.2	24	13	11	54	25
CUL70-16	Bell Mouth	70.0	16	11.3	26	3.2	24	14	13	61	25
CUL95-6	Bell Mouth	95.0	6	13.5	25	3.8	27	14	12	60	25
CUL95-8	Bell Mouth	95.0	8	13.5	25	3.8	27	14	12	60	25
CUL95-10	Bell Mouth	95.0	10	13.5	25	3.8	27	14	12	60	25
CUL95-12	Bell Mouth	95.0	12	13.5	25	3.8	27	14	12	60	25

COPPER LUGS AND LINKS

PART NO.	BARREL TYPE	WIRE SIZE mm ²	DIMENSIONS mm								PACK QTY
			Ø STUD E	I.D. A	PALM WIDTH D	PALM THICKNESS F	BARREL LENGTH B	H	G	LENGTH J	
CUL95-16	Bell Mouth	95.0	16	13.5	25	3.8	27	16	14	64	25
CUL120-8	Bell Mouth	120.0	8	15.6	30	4.7	30	14	12	64	25
CUL120-10	Bell Mouth	120.0	10	15.6	30	4.7	30	14	12	64	25
CUL120-12	Bell Mouth	120.0	12	15.6	30	4.7	30	14	12	64	25
CUL120-16	Bell Mouth	120.0	16	15.6	30	4.7	30	16	16	72	25
CUL150-10	Bell Mouth	150.0	10	16.7	32	5.25	30	16	16	71	20
CUL150-12	Bell Mouth	150.0	12	16.7	32	5.25	30	18	18	75	20
CUL150-16	Bell Mouth	150.0	16	16.7	32	5.25	30	18	18	75	20
CUL185-10	Bell Mouth	185.0	10	18.4	36	5.39	32	16	16	74	20
CUL185-12	Bell Mouth	185.0	12	18.4	36	5.39	32	18	18	79	20
CUL185-16	Bell Mouth	185.0	16	18.4	36	5.39	32	18	18	79	20
CUL240-0	Bell Mouth	240.0	0	21.2	41	7	38	21	21	92	1
CUL240-10	Bell Mouth	240.0	10	21.2	41	7	38	21	21	92	1
CUL240-12	Bell Mouth	240.0	12	21.2	41	7	38	21	21	92	1
CUL240-16	Bell Mouth	240.0	16	21.2	41	7	38	21	21	92	1
CUL300-0	Bell Mouth	300.0	0	23.8	46	7.7	42	23	23	101	1
CUL300-12	Bell Mouth	300.0	12	23.8	46	7.7	42	23	23	101	1
CUL300-16	Bell Mouth	300.0	16	23.8	46	7.7	42	23	23	101	1
CUL400-0	Bell Mouth	400.0	0	26.8	50	7.9	44	24	24	114	1
CUL400-12	Bell Mouth	400.0	12	26.8	50	7.9	44	24	24	114	1
CUL400-16	Bell Mouth	400.0	16	26.8	50	7.9	44	24	24	114	1
CUL500-0	Bell Mouth	500.0	0	30	56	7.6	50	27	27	119	1
CUL500-12	Bell Mouth	500.0	12	30	56	7.6	50	27	27	119	1
CUL500-16	Bell Mouth	500.0	16	30	56	7.6	50	27	27	119	1
CUL630-0	Bell Mouth	630.0	0	34	64.4	9.5	58	32	32	139	1
CUL630-12	Bell Mouth	630.0	12	34	64.4	9.5	58	32	32	139	1
CUL630-16	Bell Mouth	630.0	16	34	64.4	9.5	58	32	32	139	1
CUL800-0 *	Straight	800.0	0	39.3	74	14.0	125	62.5	62.5	275	1
CUL1000-0 *	Straight	1000.0	0	44.0	84.6	16.0	130	62.5	62.5	295	1

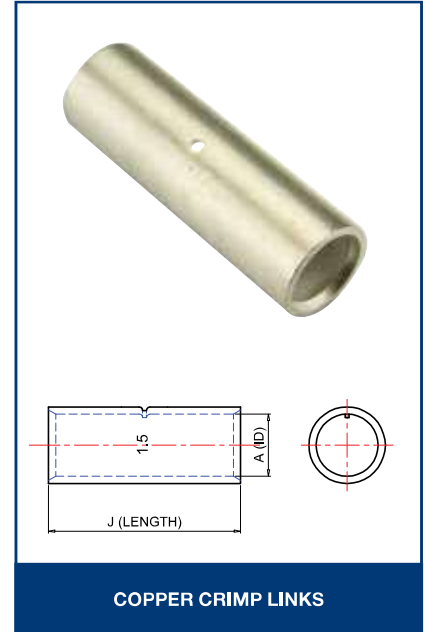
* Lead times may apply.



COPPER LUGS AND LINKS

Copper Crimp Links

PART NO.	WIRE SIZE mm ²	A	J	PACK QTY
CUI1.5	1.5	1.8	22	100
CUI2.5	2.5	2	22	100
CUI4	4	3.3	22	100
CUI6	6	3.8	22	100
CUI10	10	4.7	22	50
CUI16	16	5.5	44	50
CUI25	25	7.1	47	50
CUI35	35	8.4	47	50
CUI50	50	9.5	47	50
CUI70	70	11.3	50	25
CUI95	95	13.5	54	25
CUI120	120	15.6	65	25
CUI150	150	16.7	65	20
CUI185	185	18.4	65	20
CUI240	240	21.2	90	1
CUI300	300	23.8	90	1
CUI400	400	26.8	90	1
CUI500	500	30	112	1
CUI630	630	34	112	1

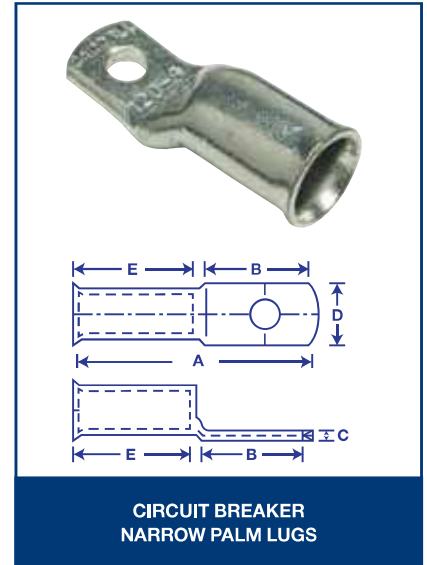


COPPER LUGS AND LINKS

Circuit Breaker/Narrow Palm Lugs

Palm widths of standard copper lugs are too wide to fit 150 - 250A circuit breakers. Carroll has a comprehensive range of circuit breaker lugs which also feature a convenient bell mouth to facilitate easy insertion of flexible cables. These lugs utilise standard barrel dimensions, normal crimping rules using standard tools and crimp dies apply.

PART NO.	WIRE SIZE mm ²	DIMENSIONS (MM)						PACK QTY
		Stud Size	A	B	C	D (P-WTH)	E	
SCB35-6	35	6	41	15	3.0	15.0	21	25
SCB50-6	50	6	43	15	3.2	15.0	22	10
SCB50-10	50	10	49	21	3.2	19.0	22	10
SCB70-6	70	6	45	15	3.3	17.0	24	10
SCB70-10	70	10	51	21	3.3	19.0	24	10
SCB95-8	95	8	51	17	3.9	19.0	27	1
SCB95-10	95	10	55	21	3.9	19.0	27	1
SCB120-8	120	8	61	23	5.0	19.0	30	1
SCB120-10	120	10	61	23	5.0	19.0	30	1
SCB150-8	150	8	66	27	5.5	19.0	30	1
SCB150-10	150	10	66	27	5.5	19.0	30	1
SCB185-10	185	10	74	32	5.7	24.5	32	1
SCB240-10	240	10	82	32	7.1	31.0	38	1
SCB240-12	240	12	82	32	7.1	31.0	38	1
SCB300-10	300	10	87	32	7.8	31.0	42	1
SCB300-12	300	12	87	32	7.8	31.0	42	1



Long Palm-Long Barrel Lugs

Carroll Long Palm-Long Barrel Lugs are designed to accommodate two bolt mounting for secure termination. The longer barrel allows improved surface area for heatshrink sealing and multiple crimps if desired. Sizes 300mm² and above are supplied blank. Designed to be crimped with standard hexagonal dies and tooling.

PART NO.	WIRE SIZE mm ²	STUD SIZE mm	A	B	C	D (P-WTH)	E	F	PACK QTY
LPLB16-6	16	6	86	61	1.5	16	22	20	10
LPLB16-8	16	8	86	61	1.5	16	22	19.8	10
LPLB25-8	25	8	95	61	1.9	16	29	19.8	10
LPLB25-10	25	10	95	61	1.9	16	29	20.2	10
LPLB35-8	35	8	112	72	2.6	18	35	24.2	10
LPLB35-10	35	10	112	72	2.6	18	35	24.6	10
LPLB35-12	35	12	112	72	2.6	18	35	24.3	10
LPLB50-10	50	10	130	80	3.3	18.2	45	27.4	10
LPLB50-12	50	12	130	80	3.3	18.2	45	27.6	10
LPLB70-10	70	10	154	100	3.5	21.2	49	33.7	10
LPLB70-12	70	12	154	100	3.5	21.2	49	34.5	10
LPLB95-10	95	10	161	100	3.9	25	55	33.9	1
LPLB95-12	95	12	161	100	3.9	25	55	34.1	1
LPLB120-10	120	10	168	100	5	28.5	62	33.9	1
LPLB120-12	120	12	168	100	5	28.5	62	34.4	1
LPLB150-12	150	12	169	100	5.8	32	62	34.1	1
LPLB185-12	185	12	174	100	7.1	34	65	36	1
LPLB240-12	240	12	192	100	7.1	40	82	36	1
LPLB300-0	300	-	208	105	7.7	45	92	BLANK	1
LPLB400-0	400	-	228	110	7.8	50	100	BLANK	1
LPLB500-0	500	-	235	110	8.5	56	106	BLANK	1
LPLB630-0	630	-	247	110	10.9	65	115	BLANK	1

