

Series LMG

Multiple AMG fuse holder

Eaton offers a heavy duty power distribution module called the LMG used for main branch primary fusing and accepts multiple (two, three or five) industry standard AMG (mega) fuses. Using a common input bus bar, the LMG requires just one input connection to power all fuses, providing efficient power distribution suitable for challenging applications.

Specifications

Sizing: 2, 3 and 5 positions available

Ratings: Maximum total combined rating is 300A continuous

Temperature: -40°F (-40°C) to 185°F (85°C)

Termination: 5/16 - 18 or M8 studs, nuts and lock washers for fuse and surface mounting

Torques:

- Mounting: 100 in-lbs max
- Power input/output: 120 in-lbs max

Material:

- Housing: Black UL 94-V0 thermoplastic
- Cover: Red EPDM cover for protection from accidental shorts
- Studs: Plated steel

Options

Fuse options: LMGs may be supplied with various fuse configurations. If fuses are selected, the input side of fuses are torqued to specification at Eaton factory and given a custom part number.

Mounting hardware: Installed or in bulk (English/Metric available)

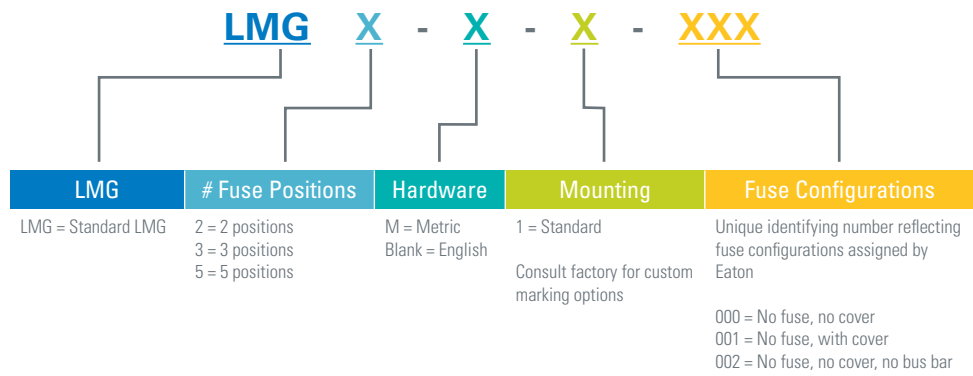
Cover: Installed, in bulk or no cover.



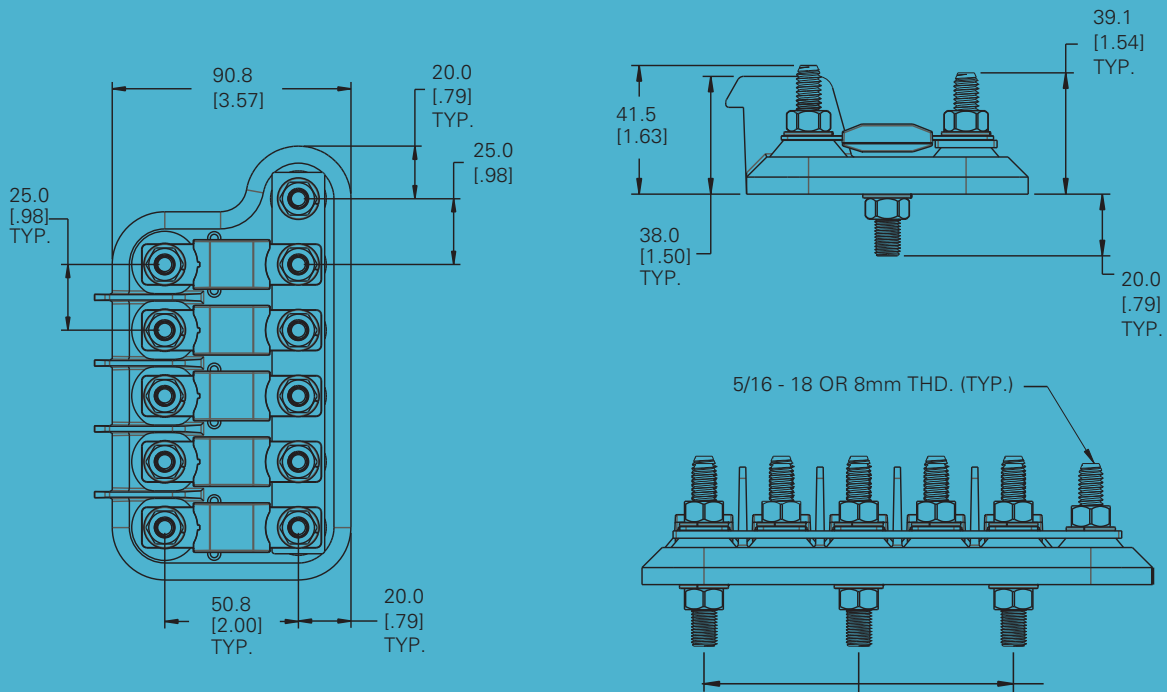
Notes

- Based on numerous variations possible between # of LMG poles, fuses selected, input wiring and output wiring, all applications should be tested by the installer to verify the product meets their requirements.
- Housing must not exceed 130°C.

Ordering information



Dimensions in Inches (mm)



Pole	"X" mm
2	25
3	50
5	50
5 (ALT)	100